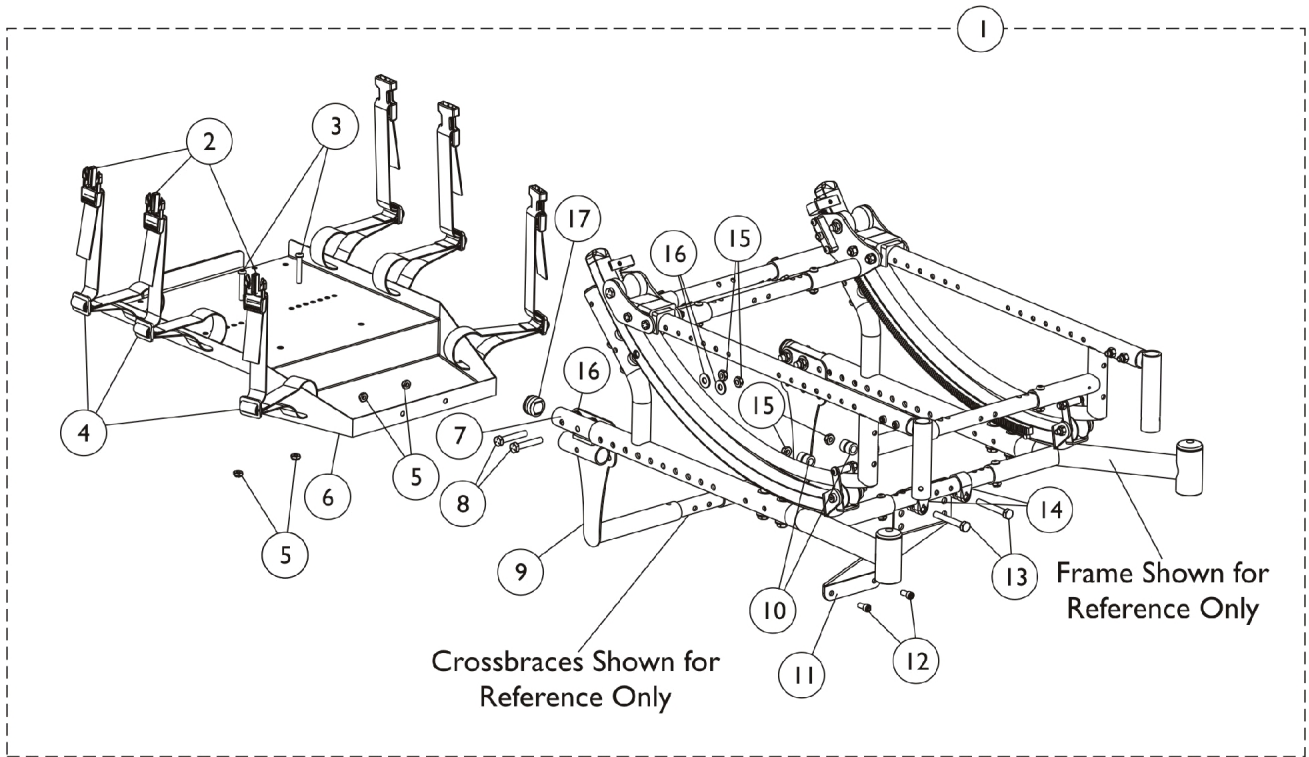


# Ventilator Tray Retrofit Kit



## Ventilator Tray Retrofit Kit

Item Number	Note	Part Number	Description	Quantity Per	
				Package	Assembly
1	A,B	1121719-NLA	NLA - Kit, Vent Tray Retrofit (12-16" or 15-19" Seat Depth)	1	1
2			NLA - Buckle, Slide Release	1	6
3			Screw, Socket Button Head (1/4-28 x 1-1/2")	1	2
4			NLA - Strap with Slide Release Buckle (22" Long)	1	6
5			Locknut (1/4-28)	1	4
6			NLA - Tray, Ventilator	1	1
7			Wldmt, Mount Hanger	1	2
8			NLA - Screw, Hex Head (5/16-18 x 1-3/4")	1	4
9			NLA - Hanger, Ventilator Tray - Rear	1	2
10			Spacer (3/8 x 5/8 x 3/4")	1	2
11			NLA - Hanger, Ventilator Tray - Front	1	1
12			NLA - Screw, Socket Head (1/4-28 x 1/2")	1	2
13			Screw, Hex Head (5/16-24 x 2-1/4")	1	2
14			Clamp (7/8")	1	2
15			Locknut (5/16-18)	1	6
16			Washer, Steel (5/16 x 3/4 x 1/16")	1	16
17			Plug Button, Black (1")	1	2
	B	1146390-NLA	NLA - Instruction Sheet, Tray Vent	1	1
1	A,B	1121720-NLA	NLA - Kit, Vent Tray Retrofit (18-22" Seat Depth)	1	1
2			NLA - Buckle, Slide Release	1	6
3			Screw, Socket Button Head (1/4-28 x 1-1/2")	1	2
4			NLA - Strap with Slide Release Buckle (22" Long)	1	6
5			Locknut (1/4-28)	1	4
6			NLA - Tray, Ventilator	1	1
7			Wldmt, Mount Hanger	1	2
8			NLA - Screw, Hex Head (5/16-18 x 1-3/4")	1	4
9			NLA - Hanger, Ventilator Tray - Rear	1	2
10			Spacer (3/8 x 5/8 x 3/4")	1	2
11			NLA - Hanger, Ventilator Tray - Front	1	1
12			NLA - Screw, Socket Head (1/4-28 x 1/2")	1	2
13			Screw, Hex Head (5/16-24 x 2-1/4")	1	2
14			Clamp (7/8")	1	2
15			Locknut (5/16-18)	1	6
16			Washer, Steel (5/16 x 3/4 x 1/16")	1	16
17			Plug Button, Black (1")	1	2
	B	1146390-NLA	NLA - Instruction Sheet, Tray Vent	1	1
			NLA - Instruction Sheet, Tray Vent	1	1

NOTE: A - Includes items 2-17.  
B - Instruction sheet not shown.