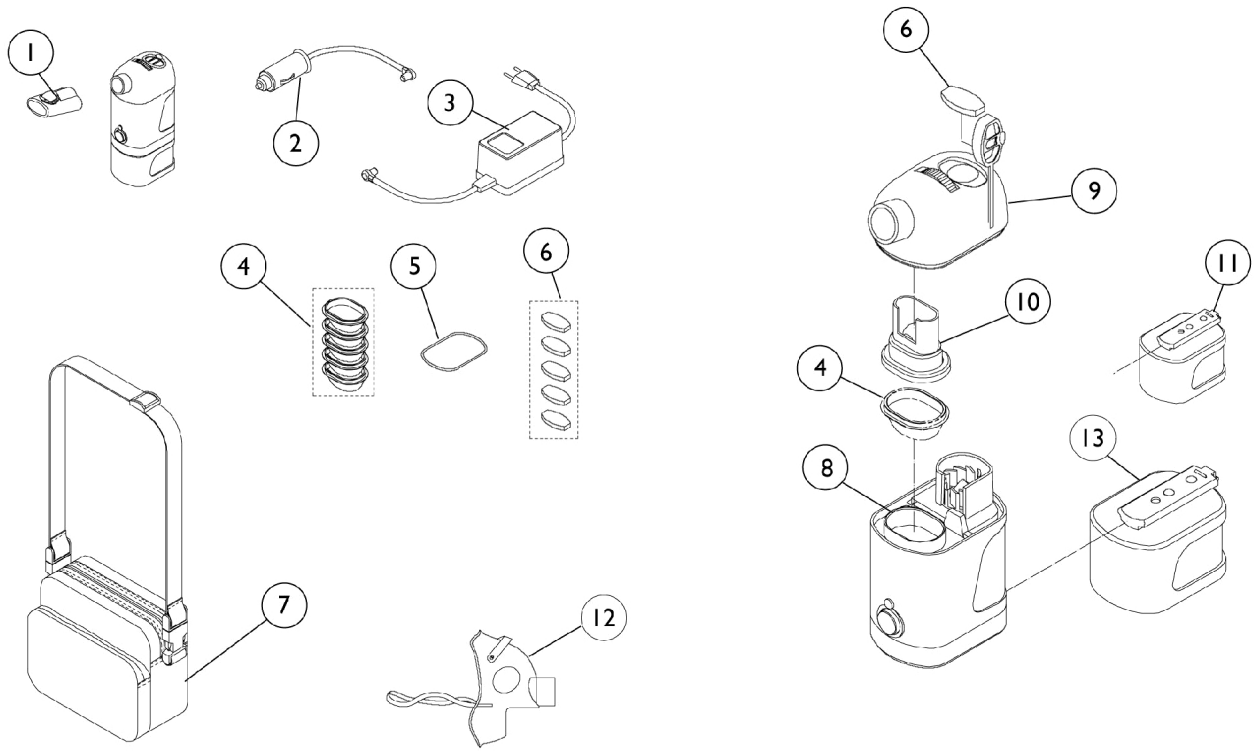


# Ultrasonic Nebulizer - Scout

## Model - IRC1199

Discontinued 10/18/00  
Model IRC1199



## Ultrasonic Nebulizer - Scout Model - IRC1199

Item Number	Note	Part Number	Description	Quantity Per	
				Package	Assembly
1		1075009-NLA	NLA - Mouth Piece with Valve	1	1
2		1075020-NLA	NLA - Cord, Adapter 12V DC	1	1
3		1075012-NLA	NLA - Adapter, Power, AC/DC	1	1
4		IRC1199RMC-N LA	NLA - Medicine Cup Package	30	1
5		1075007-NLA	NLA - Ring, Cover Seal	1	1
6		1075018-NLA	NLA - Kit, Air Filter	5	1
7		1075013-NLA	NLA - Case with Shoulder Strap	1	1
8		1075004-NLA	NLA - Cup Holder, Medicine	1	1
9		1075006-NLA	NLA - Cover, Top with Cover Seal Ring	1	1
10		1075008-NLA	NLA - Baffle	1	1
11		1075011-NLA	NLA - Module, Adapter, AC	1	1
12		1075022-NLA	NLA - Mask - Pediatric	1	1
13		1075272-NLA	NLA - Pack, Battery	1	1
	A	IRC1200-NLA	NLA - Rechargeable Battery and Charger	1	1
	A	1075014-NLA	NLA - Owner's Manual, Ultrasonic Nebulizer	1	1
	A,B	1075019-NLA	NLA - Kit, Fan and Fan Cover Replacement	1	1
NOTE: A - Not Shown B - Before 4/28/00					