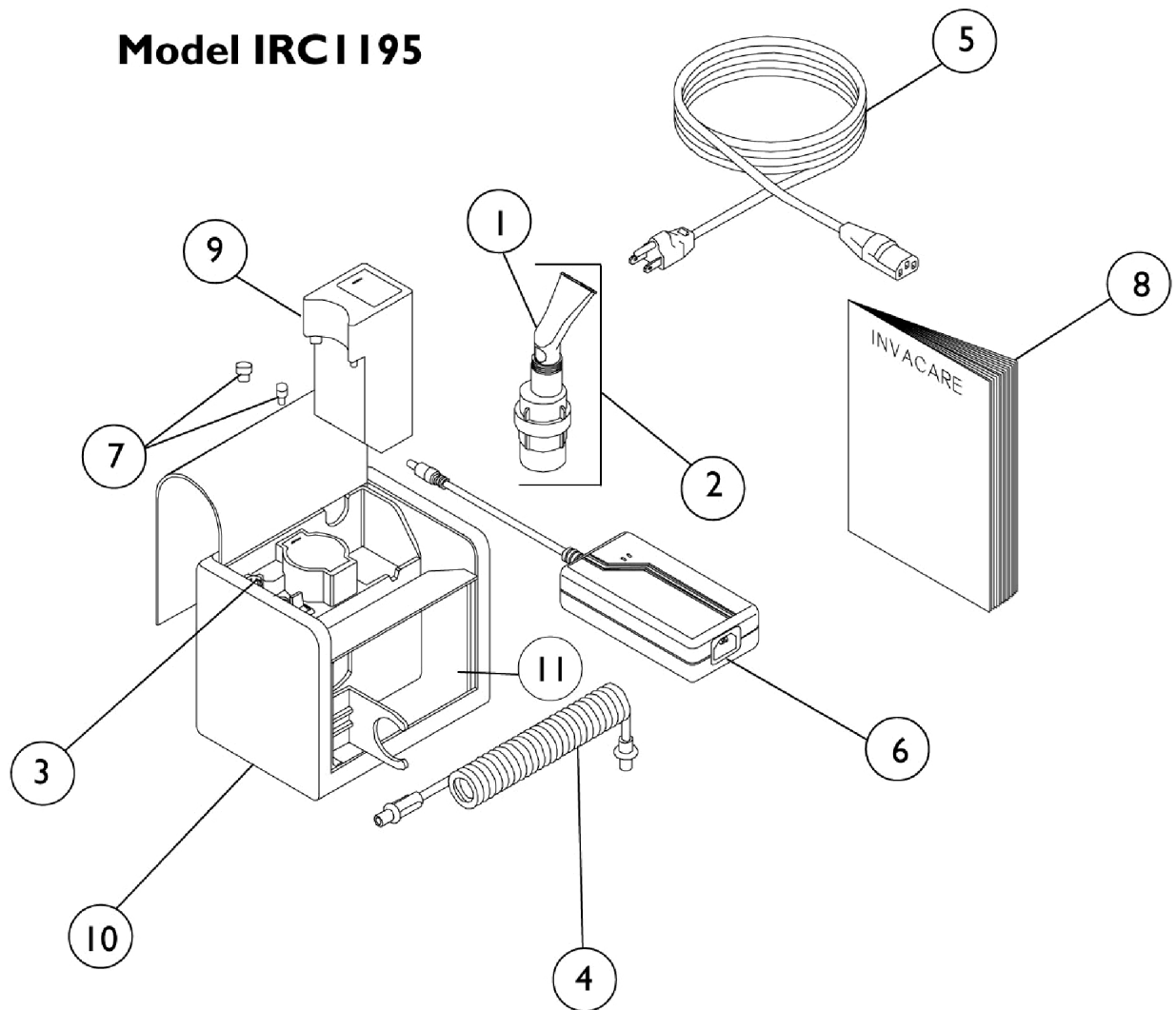


Aerosol Compressor - Freeway Lite

Model - IRC1195 (Discontinued 10/02)

Model IRC1195



Aerosol Compressor - Freeway Lite

Model - IRC1195 (Discontinued 10/02)

Item Number	Note	Part Number	Description	Quantity Per	
				Package	Assembly
1		2001467-NLA	NLA - Mouth Piece	1	1
2	B	MS2400-NLA	NLA - Nebulizer, Durable Sidestream	10	1
3		2001821-NLA	NLA - Filters, Replacement	4	1
3		2001822-NLA	NLA - Cover, Filter	1	1
4		2001829-NLA	NLA - Tubing, Nebulizer Air	1	1
5		2001831-NLA	NLA - Cord, AC Power, 3 Prong	1	1
6		2001818-NLA	NLA - Pack, Power, AC/DC	1	1
7		2001823-NLA	NLA - Covers, Rubber, Battery Connections	2	2
8		2001828-NLA	NLA - Owner's Manual	1	1
9		2001820-NLA	NLA - Pack, Battery	1	1
10		2002145-NLA	NLA - Case, Carrying with Detachable Bag	1	1
11		2001827-NLA	NLA - Tray, Accessory	1	1
	A	2002146	Kit, Label Set - Freeway	1	1
	A	2001824-NLA	NLA - Lead, 12V DC	1	1

NOTE: A - Not Shown
B - Includes Mouth Piece and 7 ft. Tubing.