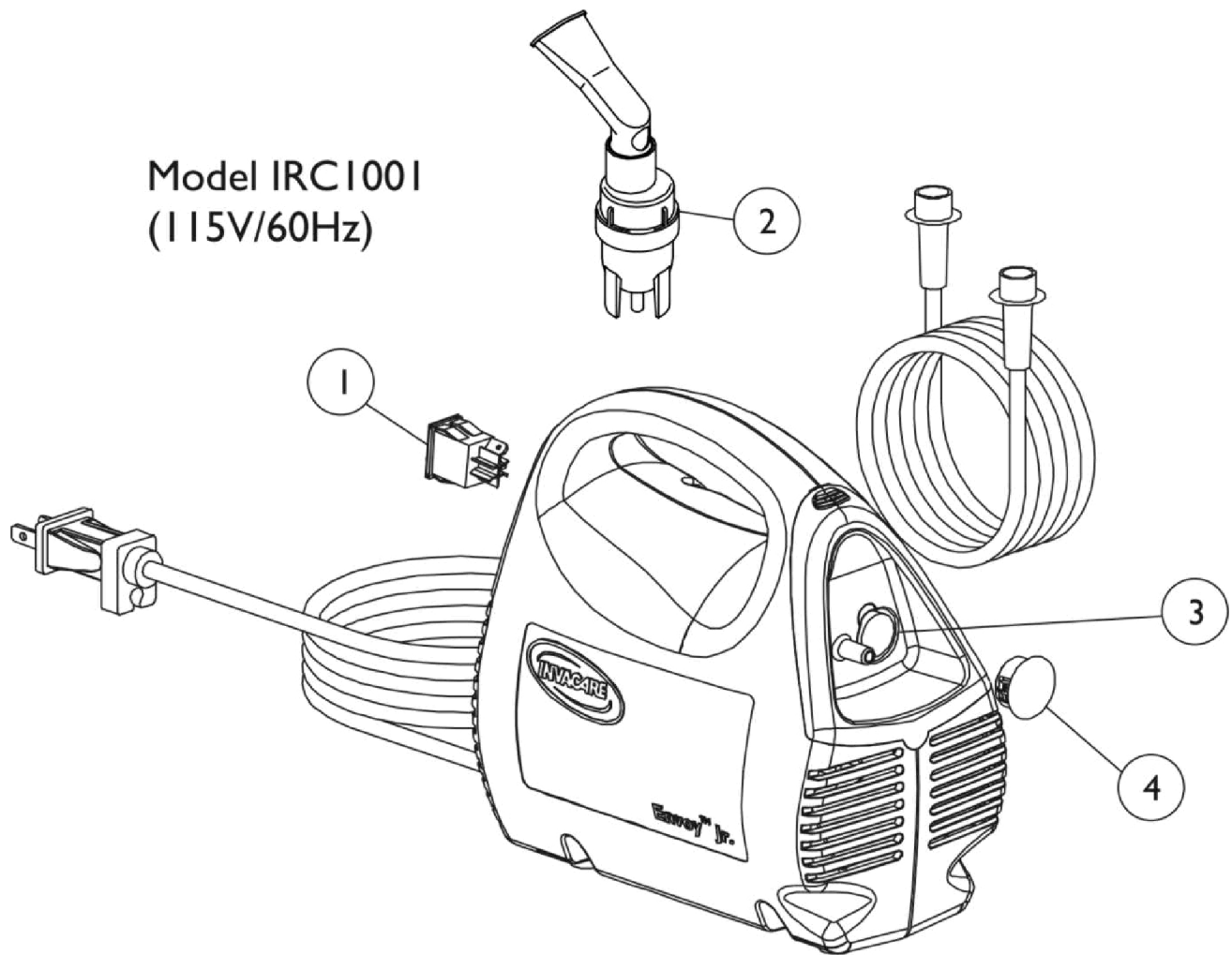


Aerosol Compressor - Envoy Jr. and Envoy Jr. XP Model - IRC1001



Aerosol Compressor - Envoy Jr. and Envoy Jr. XP Model - IRC1001

Item Number	Note	Part Number	Description	Quantity Per	
				Package	Assembly
1		2002380-NLA	NLA - Switch, Power, IRC1192, IRC1192D	1	1
2	B,D	MS2200S-NLA	NLA - Nebulizer, Single Sidestream Disposable	1	1
3	C	650391-NLA	NLA - Filter, Foam Intake	6	1
		1156679-NLA	NLA - Package, Intake Filter	12	1
4		1091240-NLA	NLA - Cover, Filter	1	1
	A	1089736-NLA	NLA - Owner's Manual - English, French, and Spanish	1	1
	A	2002930-NLA	NLA - Bumper Feet, Rubber	4	1
	A	1094278-NLA	NLA - Carton	1	1
	A	1105120-NLA	NLA - Case, Carrying	1	1
	A	IRC1002-NLA	NLA - Case, Carrying	1	1
NOTE: A - Not Shown B - Includes Mouth Piece and 6" Flex Tube. C - Item no longer available, refer to part #1156679 for replacement. D - Item no longer available as a single component service part, refer to Model MS2600 on Respiratory price list.					
Name changed to Envoy Jr. XP after 9/15/04 due to product improvement.					