

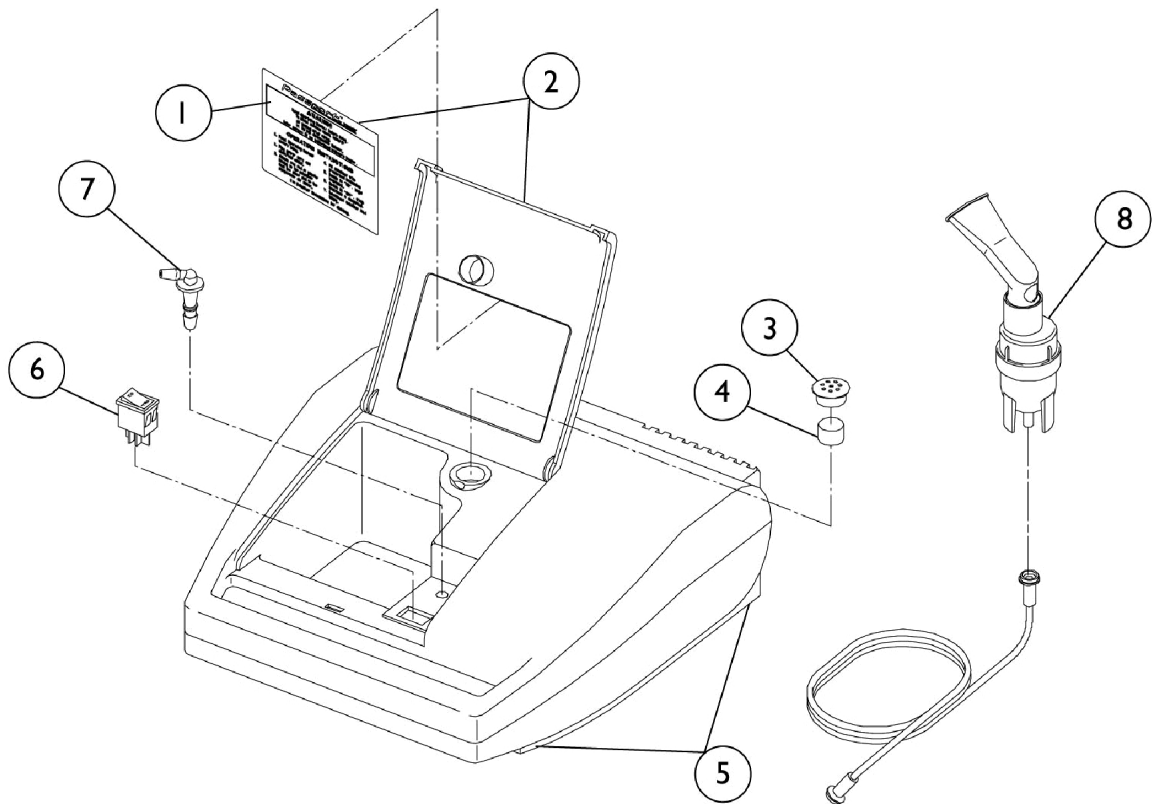
Aerosol Compressor - Passport

Model - IRC1190, IRC9000, IRC1196

Model IRC1190 - USA -Discontinued 7/03

Model IRC9000 - USA -Discontinued 6/00

Model IRC1196 - Canadian -Discontinued 7/03



Aerosol Compressor - Passport

Model - IRC1190, IRC9000, IRC1196

Item Number	Note	Part Number	Description	Quantity Per	
				Package	Assembly
1		658589-NLA	NLA - Decal, Storage Compartment	1	1
2		661766S-NLA	NLA - Lid with Decal Assembly, Storage Compartment	1	1
3		638150-NLA	NLA - Cover, Filter	1	1
4	F	650391-NLA	NLA - Filter, Foam Intake	6	1
		1156679-NLA	NLA - Package, Intake Filter	12	1
5		2001580-NLA	NLA - Bumper, Rubber	1	1
6		1043555-NLA	NLA - Switch, Power	1	1
7		2001574-NLA	NLA - Fitting, Air Outlet	1	1
8	A,D	MS2200-NLA	NLA - Nebulizer, Disposable Sidestream	50	1
8	A,E	MS2400-NLA	NLA - Nebulizer, Durable Sidestream	10	1
	B	642034-NLA	NLA - Owner's Manual - English, Spanish and French	1	1
	B	1035805-NLA	NLA - Owner's Manual - Spanish	1	1
	B	642076-NLA	NLA - Owner's Manual - French and English	1	1
	B	2001595-NLA	NLA - Instruction Video Tape, Aerosol	1	1
	B	2002753-NLA	NLA - Kit, Passport Compressor	1	1
			NLA - Connector, Closed End	1	1
			Terminal (3/16 x 1/32)	1	1
			Screw, Phillips Pan Head (8-32 x 5/8")	1	2
			NLA - Spacer (#8 x 9/32")	1	4
			Pad, Foam	1	2
			NLA - Bracket, Mounting	1	2
			NLA - Compressor - Passport	1	1
			NLA - Nut, Keps (#6-32)	1	2
			Instruction Sheet	1	1
	B,C	650395S-NLA	NLA - Kit, Packaging Compressor	1	1

NOTE: A - MS2200, MS2400 can be used with either IRC1190, IRC9000, or IRC1196. Standard for IRC11900 is MS2200, Standard for IRC9000, and for IRC1196 is MS2400.
B - Not Shown
C - Includes Carton and Inserts
D - Includes Mouth Piece, Vent Seal Adapter and 7ft. Tubing.
E - Includes Mouth Piece and 7 ft. Tubing.
F - Item no longer available, refer to part #1156679 for replacement.