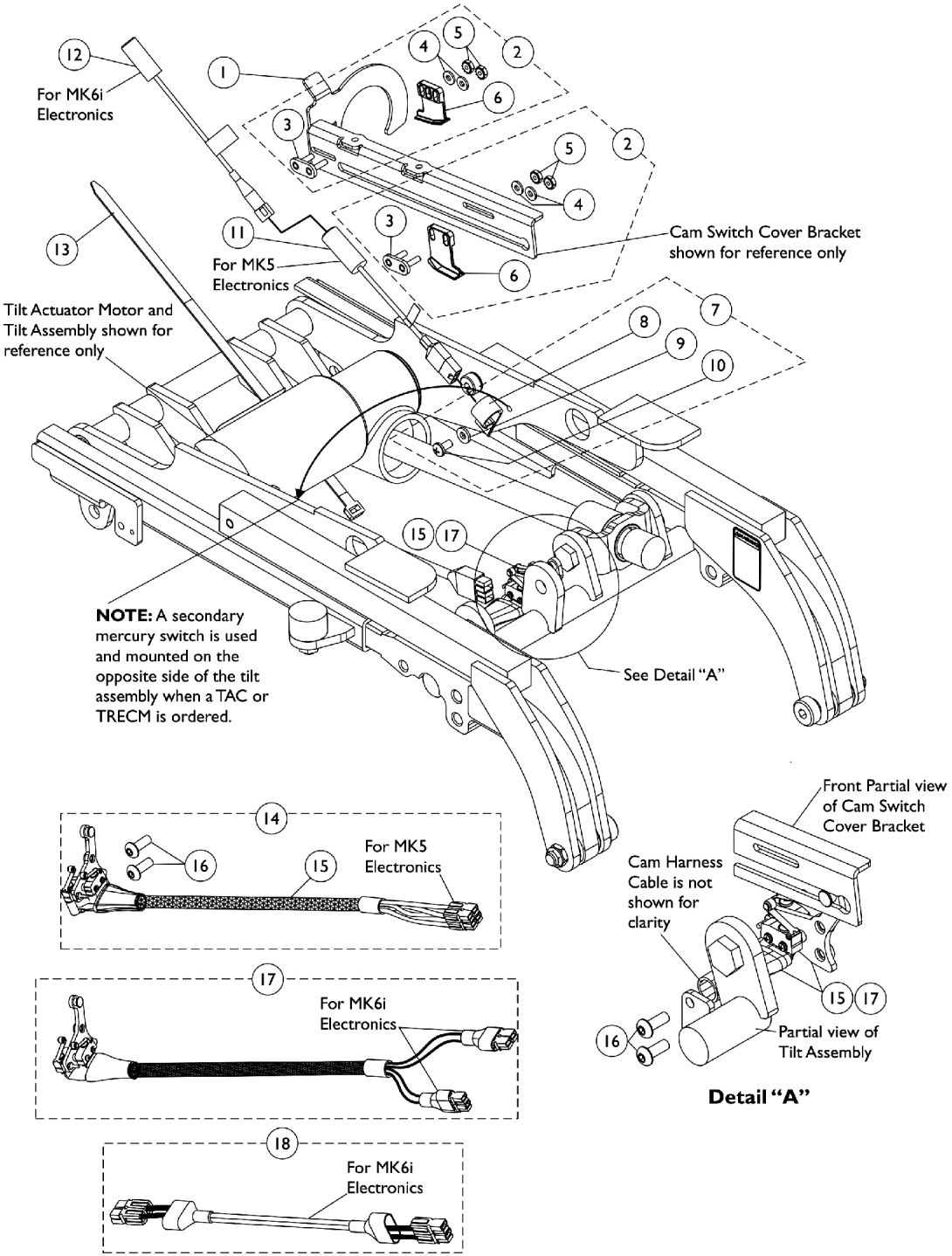


# Cam Switches, Mercury Free Limit Switch & Mounting Hardware

Effective 7/1/2009, switches are mercury free.



# Cam Switches, Mercury Free Limit Switch & Mounting Hardware

Effective 7/1/2009, switches are mercury free.

Item Number	Note	Part Number	Description	Quantity Per	
				Package	Assembly
1		1126356-NLA	NLA - Bracket, Cam Switch Cover	1	1
2	A	1128386-NLA	NLA - Kit, Cam Switch Assembly with Mounting Hardware	1	2
3			NLA - Plate, Cam	1	1
4			NLA - Washer, Flat (5/32 x 3/8 x 1/32")	1	2
5			NLA - Nut, Keps (#6-32)	1	2
6			Switch, Cam	1	1
7	B	1128387-NLA	NLA - Kit, Switch Mounting Hardware	1	1
8			NLA - Bracket, Cable/Wire Mounting, Black	1	1
9			Washer, Steel (3/16 x 7/16 x 1/16")	1	1
10			Screw, Phillips Pan Head Tap (#10-32 x 3/8")	1	1
11	D	1080635-NLA	NLA - Harness, Recline/Tilt Limit Mercury Free Ball Switch	1	1
11	E	1123268-NLA	NLA - Harness, Tilt Mercury Free Ball Switch	1	1
11	F	1080634-NLA	NLA - Harness, Drive Lockout Mercury Free Ball Switch	1	1
12	G	1140099	Switch, Drive Lockout Mercury Free Ball (MK6i) (50" L)	1	1
13		1128389-NLA	NLA - Package, Tie Wrap (11" L)	10	1
14	C	1128388-NLA	NLA - Kit, Cam Switch Harness with Mounting Hardware	1	1
15			Harness, Cam Switch	1	1
16			NLA - Screw, Socket Button Head (#10-32 x 1/2")	1	2
16		1072319-NLA	NLA - Screw, Socket Button Head (#10-32 x 1/2")	1	2
17	I	1144848-NLA	NLA - Harness, Cam Switch (MK6i)	1	1
18	H	1145414	Cable, Actuator Jumper Adapter (MK6i)	1	1

NOTE: A - Includes items 3-6  
 B - Includes items 8-10. When a TAC or TRECM is used, the quantity per assembly will require 2  
 C - Includes items 15 and 16  
 D - The MK5 SAC and TRSS use (1 ea. of part # 1080635 switch)  
 E - The MK5 TRECM uses (one ea. of part # 1123268 switch) and (1 ea. of part # 1080634 switch)  
 F - The MK5 TAC uses (two each of part # 1080634 switches)  
 G - Only one switch required for MK6i electronics  
 H - Only used with item 17 part # 1144848  
 I - Item 16 Mounting Screws are not included with item 17 Harness part #1144848