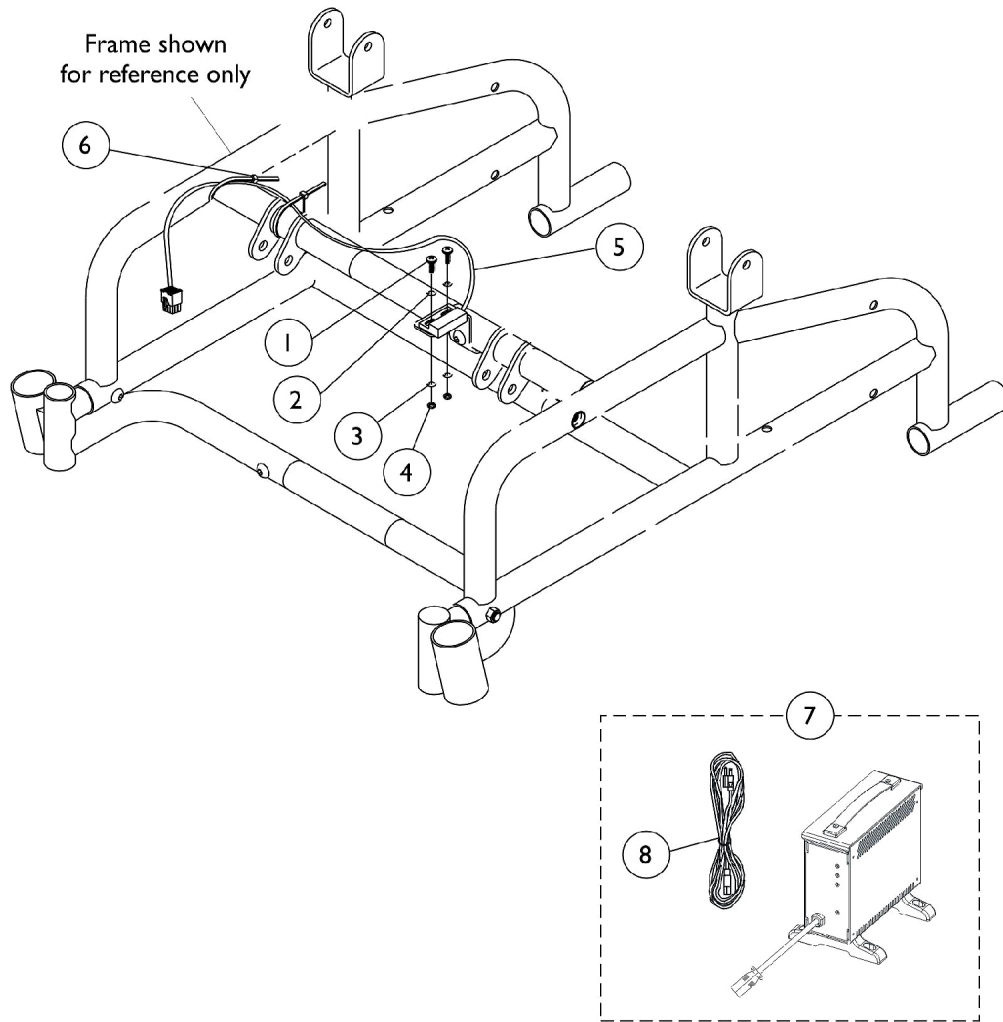


Wiring Harnesses and Chargers

MK6i Electronics



Wiring Harnesses and Chargers MK6i Electronics

Item Number	Note	Part Number	Description	Quantity Per	
				Package	Assembly
1		1027704-NLA	NLA - Screw, Phillips Pan Head (#4-40 x 3/8")	1	2
2		1011011-NLA	NLA - Washer, Plain (1/8 x 5/16 x 1/32")	1	2
3		1008525-NLA	NLA - Washer, Internal Tooth Lock (#4-40)	1	2
4		1005889	NLA - Locknut (#4-40)	1	2
5		1144926	Cable, Drive Lockout Sensor, MK6i	1	1
6		1095502-NLA	NLA - Package, Tie Wrap (11-1/2" L)	10	1
7	A	1123249	Charger, Battery, 8 Amp. 115vac (Off Board) Single Mode Round Plug w/ AC Power Line Cord	1	1
7	A	1123249E-NLA	NLA - WARR RPLMT - Charger, Battery, 8 Amp, 115VAC (Off Board) Single Mode Round Plug w/ AC Power Line Cord	1	1
8	B	1089627-NLA	NLA - Cord, AC Power, 115VAC, 2 Prong Off-Board (11' 6" L)	1	1
8		1121086	Cord, AC Power, 115VAC, 3 Prong On-Board (6' 6-1/2" L)	1	1

NOTE: A - Battery charger includes AC Power Line Cord (item 8).
B - No longer available as a service part. Please use 1121086 as its replacement.