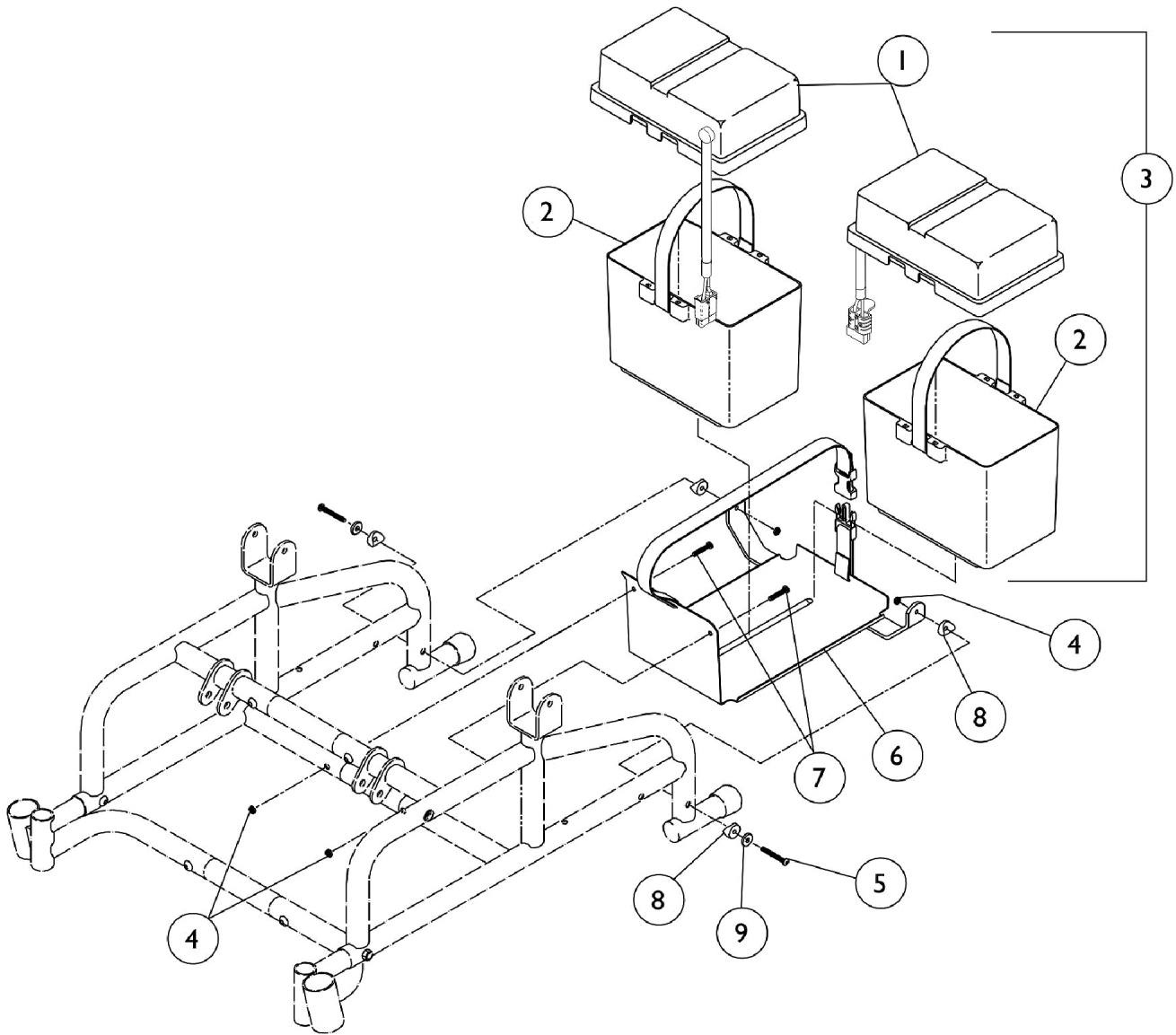


Battery Boxes and Tray Assembly

MK6i Electronics



Battery Boxes and Tray Assembly MK6i Electronics

Item Number	Note	Part Number	Description	Quantity Per	
				Package	Assembly
1	A	1115248-NLA	NLA - Top, Battery Box, Front, 22NF	1	1
1	A	1097003	Battery Box Top, Rear, 22NF	1	1
	C	1089385	Fuse, MIDI (Non-G/B & G/B) (80 AMP)	1	1
2		1057944	Battery Box Bottom with Strap, 22NF	1	1
	C	1057954-NLA	NLA - Strap, Battery	1	1
	C	1041433-NLA	NLA - Pin, Handle	1	2
3	B	1115917-NLA	NLA - Battery Box Assembly, Front, 22NF	1	1
3	B	1097007	Battery Box Assembly, Rear, 22NF	1	1
4		1025195	Locknut (1/4-20)	1	4
5		1001762	Screw, Socket Button Head (1/4-20 x 1-3/4")	1	2
6		1036044-NLA	NLA - Tray, Battery with Buckle Strap	1	1
7		1008432	Screw, Socket Button Head (1/4-20 x 1-1/4")	1	2
8		40157X019-NLA	NLA - Spacer, Coved (1/4 x 7/8 x 7/16")	1	4
9		1018739	Washer (1/4 x 5/8 x 3/32")	1	2
	C,D	1058618-NLA	NLA - Hardware, Battery Terminal, 22NF Batteries (Pair)	2	1

NOTE: A - It is recommended that terminal hw. part #1058618 for 22NF batteries be ordered when a new battery box top is ordered.
 B - Includes Battery Box Top and Bottom (items 1 and 2).
 C - Not Shown.
 D - Hardware includes battery clamps, battery clamp caps (red and black), small battery terminal caps (red and black), 1/4-20 x 7/8" hex flange screws, 1/4-20 hex flange nuts, cable ties and locking tab washers for two batteries.