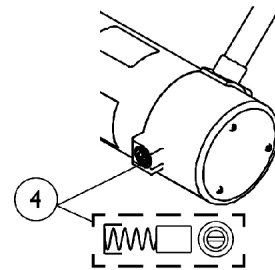
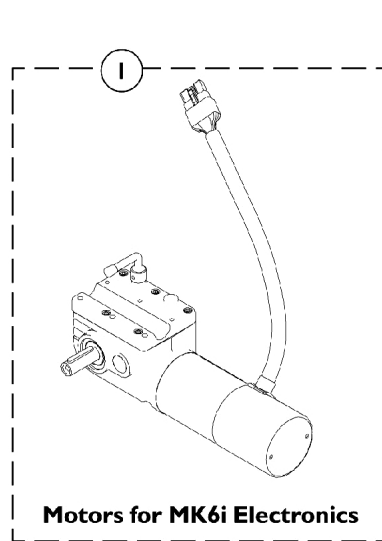
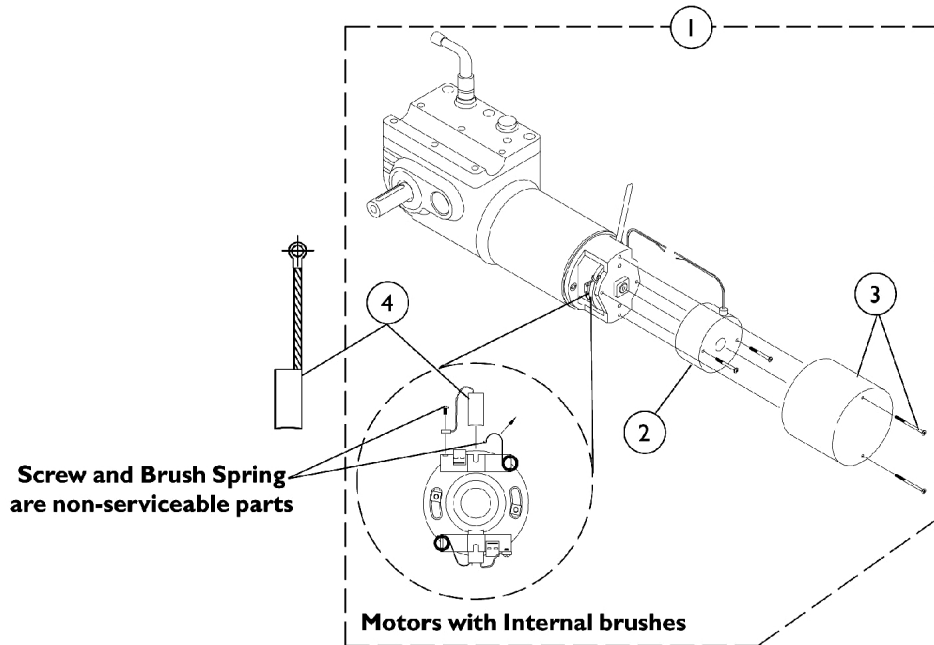


Motor/Gearbox Assembly



Motor/Gearbox Assembly

| Item Number | Note | Part Number | Description | Quantity Per | |
|-------------|------|-------------|--|--------------|----------|
| | | | | Package | Assembly |
| 1 | A | 1058399-NLA | NLA - Motor/Gearbox Assembly with Brake - Right | 1 | 1 |
| 1 | A | 1058400-NLA | NLA - Motor/Gearbox Assembly with Brake - Left | 1 | 1 |
| 1 | A | 1037543-NLA | NLA - Motor/Gearbox Assembly with Brake | 2 | 1 |
| 1 | B,C | 1141356-NLA | NLA - Motor/Gearbox Assembly with Brake - Right | 1 | 1 |
| 1 | B,C | 1141357-NLA | NLA - Motor/Gearbox Assembly with Brake - Left | 1 | 1 |
| 1 | D | 1146103 | Motor/Gearbox Assembly with Brake - Right | 1 | 1 |
| 1 | D | 1146104 | Motor/Gearbox Assembly with Brake - Left | 1 | 1 |
| 2 | A,D | 1055872-NLA | NLA - Brake, Spring Set with Screws | 1 | 1 |
| 3 | A,D | 1038361-NLA | NLA - Kit, Motor/Brake Covers with Screws | 2 | 1 |
| 4 | A,D | 561-005-NLA | NLA - Kit, Motor Brush w/o Cap - Internal, Long Cap (Pair) | 2 | 1 |
| 4 | B | 1137265-NLA | NLA - Kit, Motor Brush w/ Cap - External (Pair) | 2 | 1 |
| | | 1122164 | Instruction Sheet, Motor Brush Kit | 1 | 1 |

NOTE: A - Before 6/29/06
 B - 6/29/06 - 10/15/06
 C - Brakes and Brake Covers are non-serviceable for the Motor/Gearboxes built 6/29/06 thru 10/15/06 with external brushes
 D - After 10/15/06 for MK6i electronics.