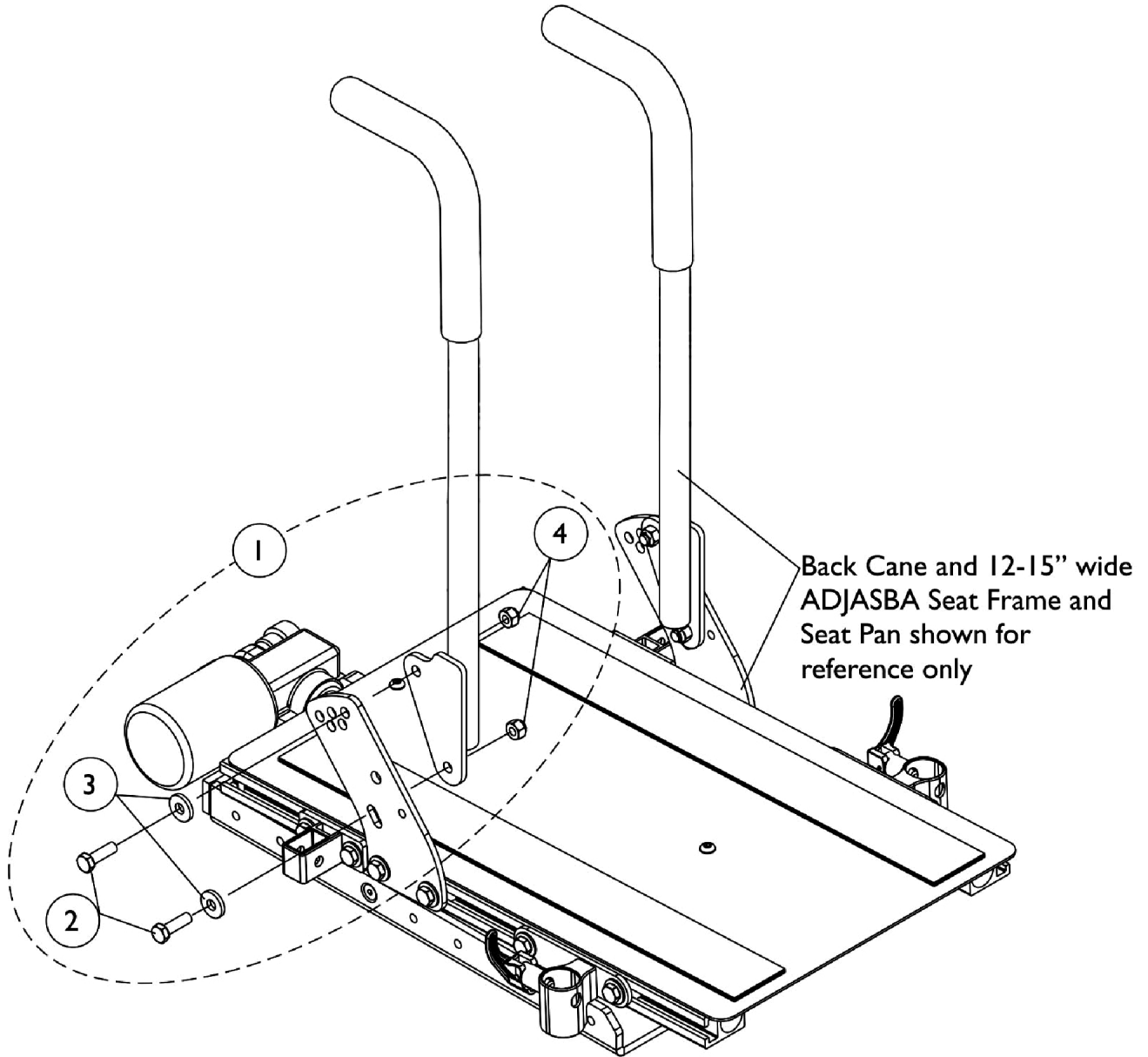


Back Cane Mounting Hardware For Round Canes

Conventional Tilt (12"-15" Wide)



Back Cane Mounting Hardware For Round Canes Conventional Tilt (12"-15" Wide)

Item Number	Note	Part Number	Description	Quantity Per	
				Package	Assembly
1	A	1135999	Kit, Back Cane Mounting Hardware (Pair)	1	1
2			Screw, Hex Head (5/16-18 x 1")	1	4
3			Washer, Flat (21/64 x 53/64 x 7/64")	1	4
4			Locknut (5/16-18)	1	4
NOTE: A - Includes items 2-4					