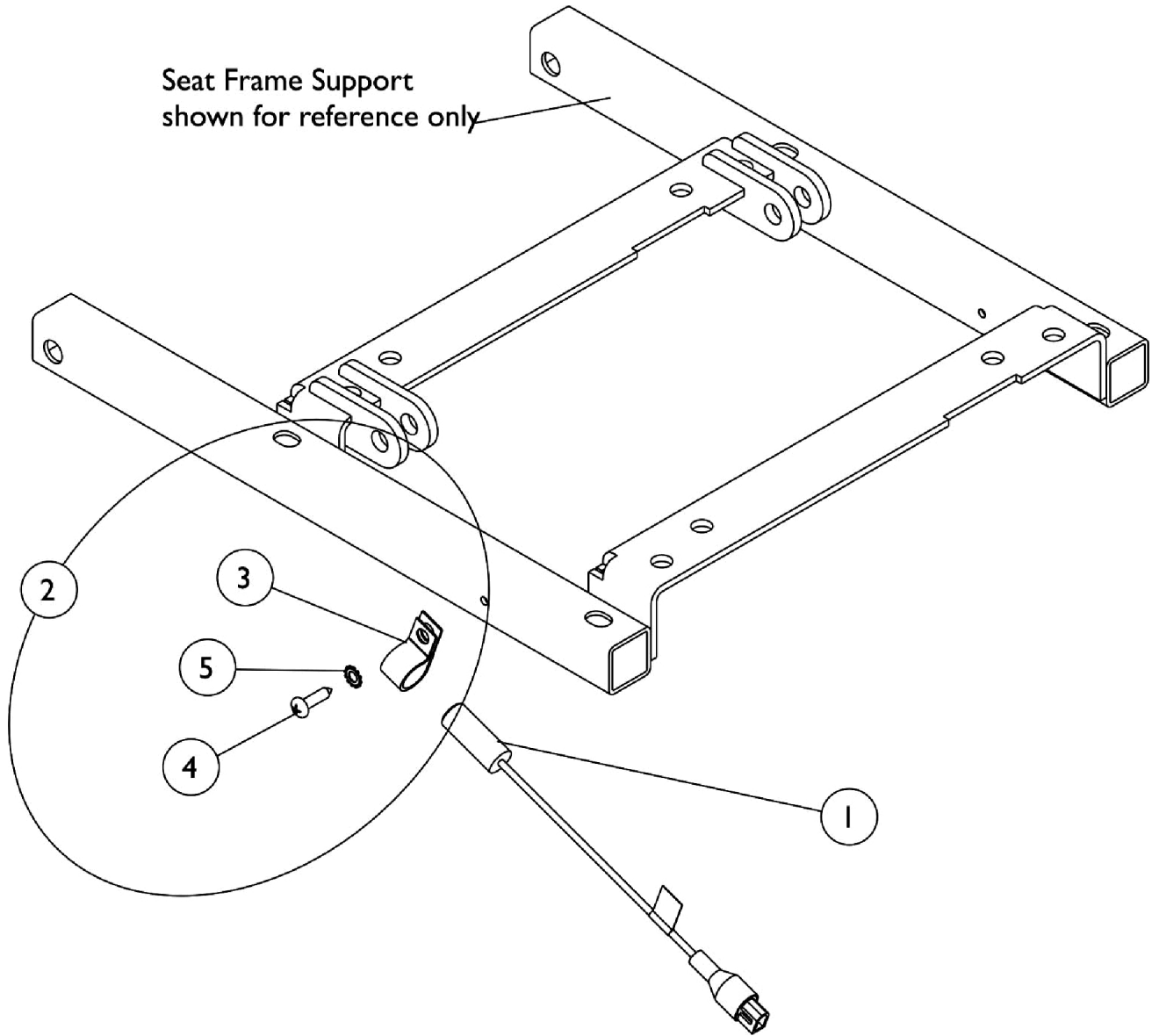


Switch, Drive Lockout Mercury Free (MK6i) For PTO on 3G Storm

As of 7/1/2009, switches are mercury free.



Switch, Drive Lockout Mercury Free (MK6i) For PTO on 3G Storm

As of 7/1/2009, switches are mercury free.

Item Number	Note	Part Number	Description	Quantity Per	
				Package	Assembly
1		1140099	Switch, Drive Lockout Mercury Free Ball (MK6i) (50" L)	1	1
2	A	1106544-NLA	NLA - Kit, Switch Clip with Mounting Hardware	1	1
3			NLA - Bracket, Cable/Wire Mounting, Black	1	1
4			Screw, Phillips Pan Head Tap (#10-16 x 3/4")	1	1
5			Lockwasher, External Tooth (#10)	1	1
NOTE: A - Includes items 3-5					