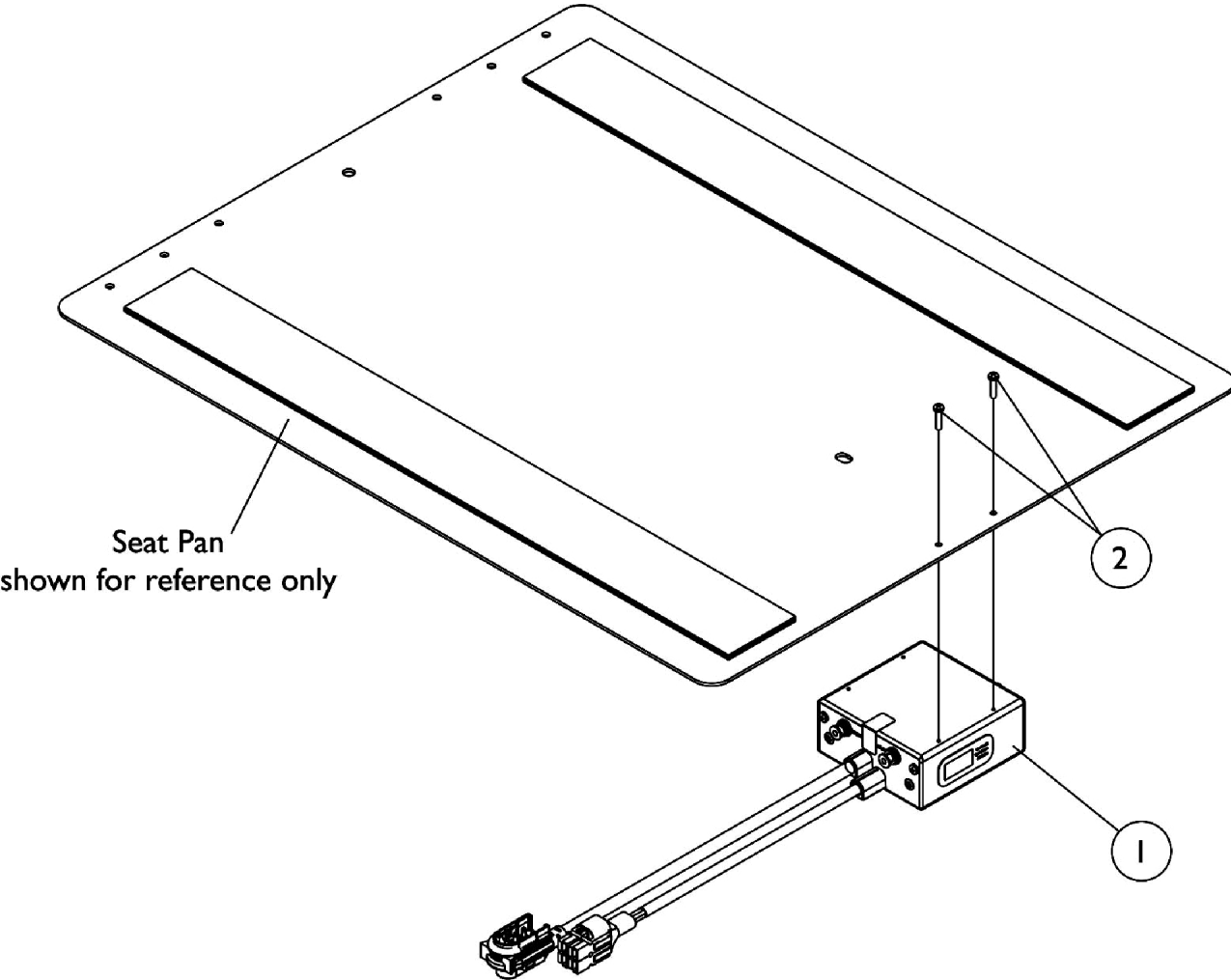


Dual Legs Integrated Actuator Module (DLIAM) MK6i

For ELRPW Front Riggings



Dual Legs Integrated Actuator Module (DLIAM) MK6i For ELRPW Front Riggings

Item Number	Note	Part Number	Description	Quantity Per	
				Package	Assembly
1	A,B	1140032	Module, Dual Legs Integrated Actuator (DLIAM) - MK6i (54" L)	1	1
2		1021742	Screw, Phillips Pan Head (#4-40 x 1/2")	1	2
NOTE: A - The Dual Legs Integrated Actuator Module is attached to a 12"-16" wide seat pan in the same way when ELRPW Front Riggings are ordered with MK6i electronics B - On 2/28/07 the Dual Leg Actuator Module (DLIAM) harness cable lengthened from approximately 3" to 20" long to eliminate the need for the ELRPW Power Legrest Harness Assembly part numbers 1125656 RT and 1125657 LT					