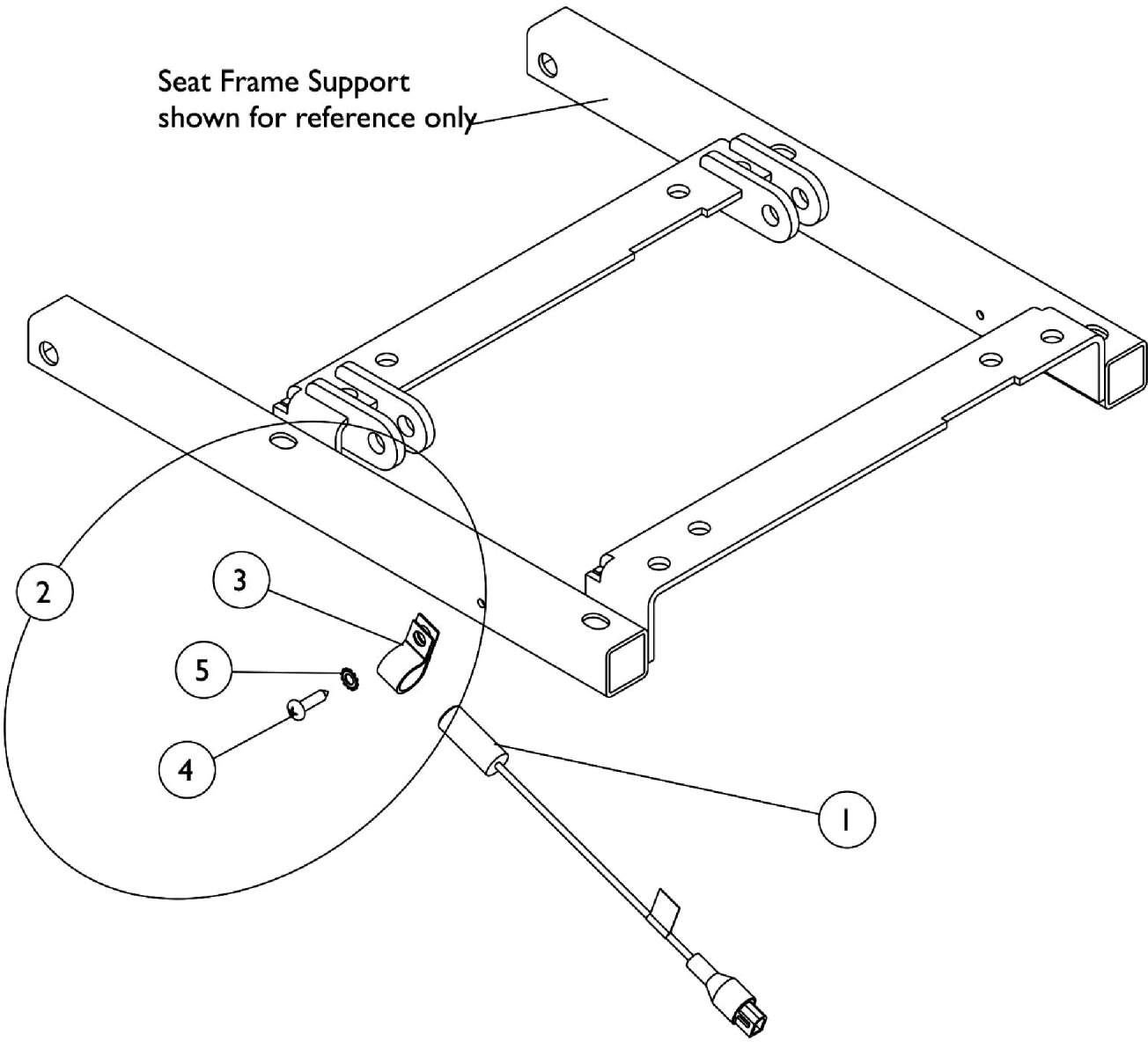


Mercury Free Switch, Drive Lockout Mercury (MK6i Electronics)

As of 7/1/2009, switches are mercury free.



Mercury Free Switch, Drive Lockout Mercury (MK6i Electronics)

As of 7/1/2009, switches are mercury free.

| Item Number | Note | Part Number | Description | Quantity Per | |
|-------------|------|-------------|--|--------------|----------|
| | | | | Package | Assembly |
| 1 | | 1140099 | Switch, Drive Lockout Mercury Free Ball (MK6i) (50" L) | 1 | 1 |
| 2 | A | 1106544 | NLA - Kit, Switch Clip with Mounting Hardware | 1 | 1 |
| 3 | | | NLA - Bracket, Cable/Wire Mounting, Black | 1 | 1 |
| 4 | | | Screw, Phillips Pan Head Tap (#10-16 x 3/4") | 1 | 1 |
| 5 | | | Lockwasher, External Tooth (#10) | 1 | 1 |

NOTE: A - Includes items 3-5