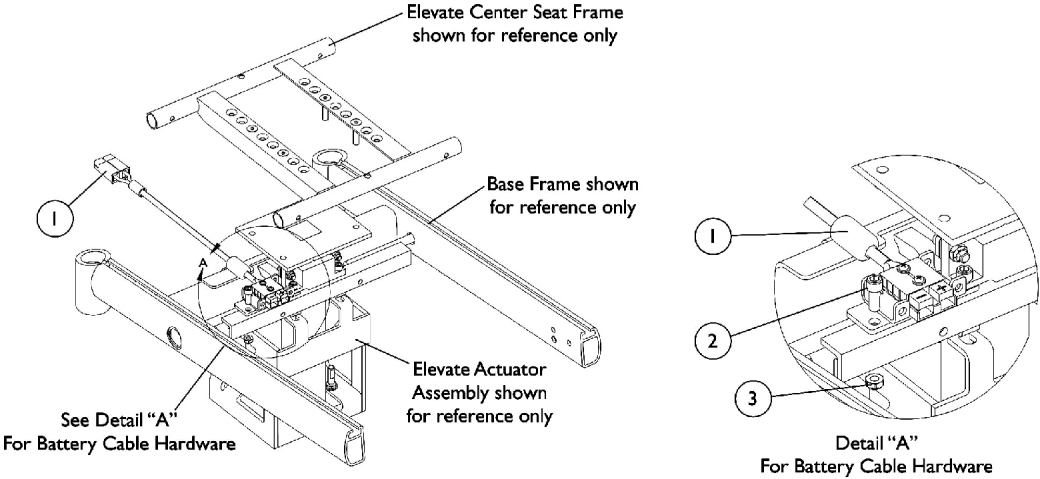
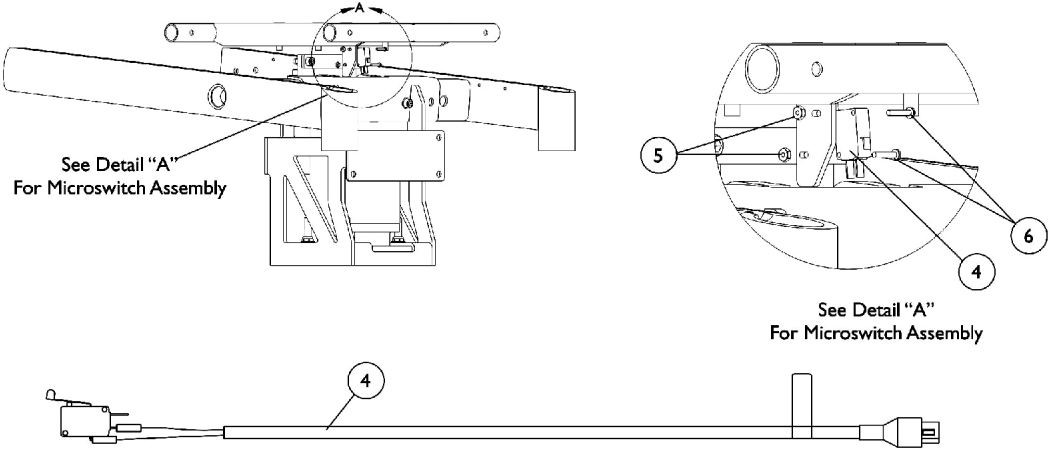


Base Frame Elevate Battery Cable (GP24 Batteries) and Microswitch Assembly For 3G Storm



Battery Cable Hardware For (GP24) Batteries For 3G Storm with Formula CG Elevate



Microswitch Assembly Hardware For 3G Storm with Formula CG Elevate

Base Frame Elevate Battery Cable (GP24 Batteries) and Microswitch Assembly For 3G Storm

Item Number	Note	Part Number	Description	Quantity Per	
				Package	Assembly
1		1136055	Cable and Bracket w/ Black Connector (GP24 Batteries & 4-Pole Motors)	1	1
2		1086944-NLA	NLA - Screw, Socket Head (5/16-18 x 3/4")	1	2
3		1028769	Locknut (5/16-18)	1	2
4		1145399	MK6i Microswitch Assembly	1	1
5		1005889	NLA - Locknut (#4-40)	1	2
6		1118765-NLA	NLA - Screw, Phillips Pan Head (#4-40 x 5/8")	1	2