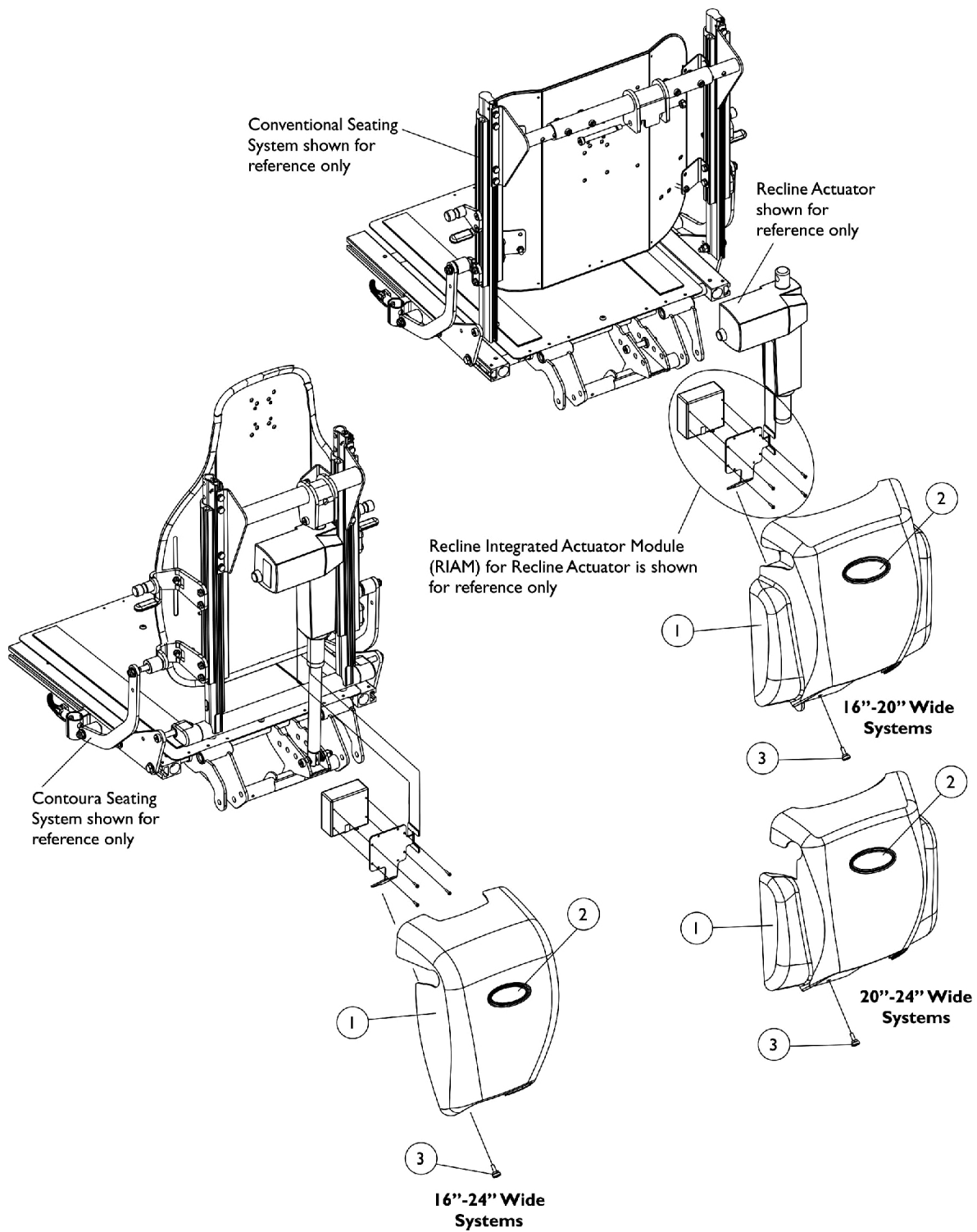


Shroud Covers

Recline & Tilt/Recline Conventional or Contoura Seating w/ MK6i Electronics



Shroud Covers

Recline & Tilt/Recline Conventional or Contoura Seating w/ MK6i Electronics

Item Number	Note	Part Number	Description	Quantity Per	
				Package	Assembly
1		1146501-NLA	NLA - Cover with Decal, Contoura (16 - 24" W)	1	1
1		1146502-NLA	NLA - Cover with Decal, Conventional (16 - 20" W)	1	1
1		1146503-NLA	NLA - Cover with Decal, Conventional (20 - 24" W)	1	1
2		1090147-NLA	NLA - Decal, Invacare Medallion - Large	1	1
3		1117240	Screw, Thumb (#10-32 x 1/2")	1	1