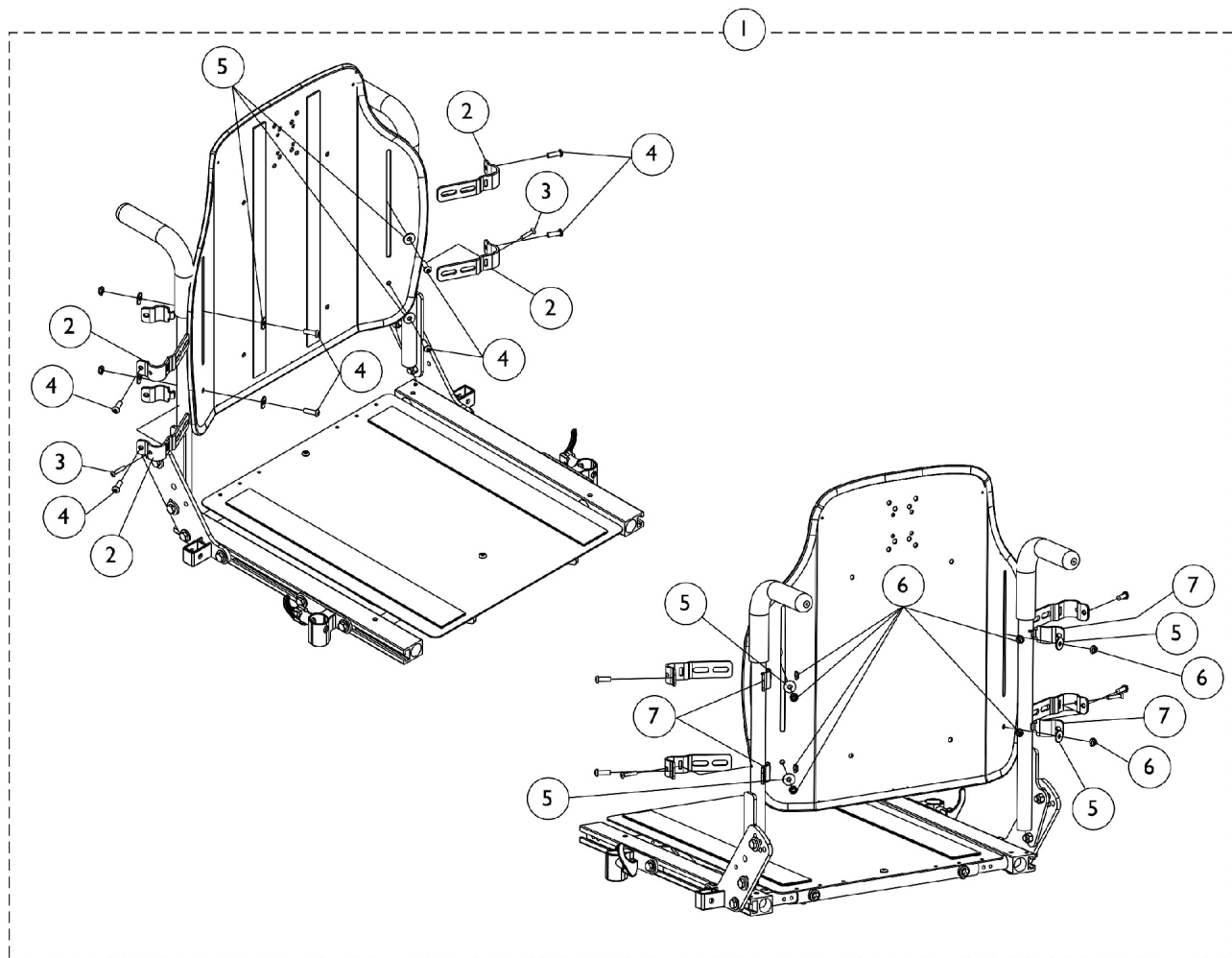


Contoura Back Mounting Hardware

ADJASBA Only For TDX, M71 and M91- Before 5/15/09



Contoura Back Mounting Hardware

ADJASBA Only For TDX, M71 and M91- Before 5/15/09

Item Number	Note	Part Number	Description	Quantity Per	
				Package	Assembly
1	A	1140945	Kit, Contoura Back Mounting Hdwr. - Round Canes	1	1
2			Bracket, Back Mounting, Front, Black	1	4
3			NLA - Screw, Phillips Oval Head (#10-16 x 7/8")	1	2
4			Screw, Socket Button (1/4-20 x 3/4")	1	8
5			Washer (1/4 x 23/32 x 1/16")	1	8
6			Locknut (1/4-20)	1	8
7			Bracket, Back Mounting, Rear, Black	1	4

NOTE: A - Includes items 2-7