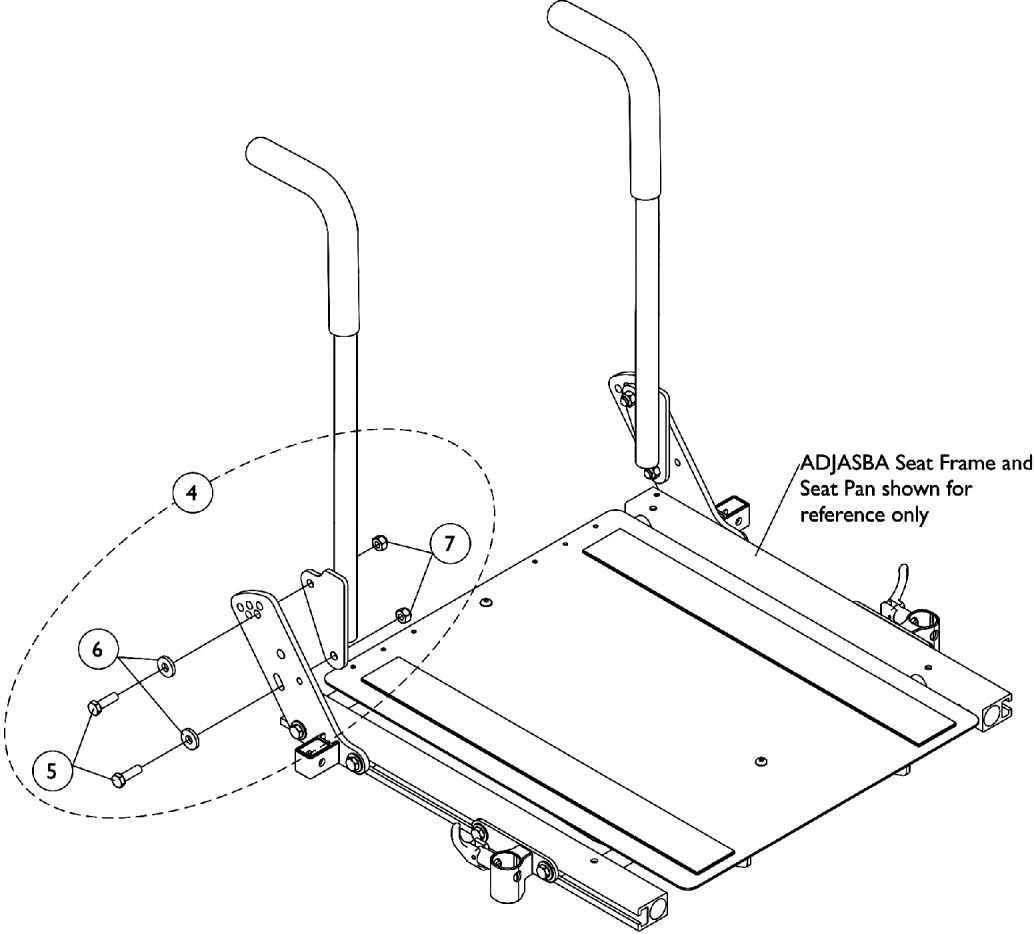
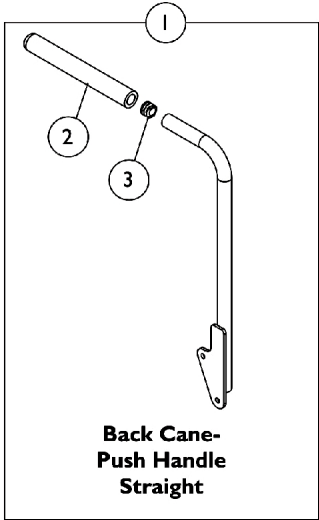


# Back Canes and Attaching Hardware

ADJASBA Seat For (TDX After 7/4/05) (M71 After 8/7/05) (M91 After 10/3/05)

NOTE: Spreader bars are used for the Back Cane Only Option to mount the headrest support assembly.  
See "Accessories, Headrest Support Assembly for Back Cane Only Option" page.



# Back Canes and Attaching Hardware

## ADJASBA Seat For (TDX After 7/4/05) (M71 After 8/7/05) (M91 After 10/3/05)

**NOTE: Spreader bars are used for the Back Cane Only Option to mount the headrest support assembly.  
See "Accessories, Headrest Support Assembly for Back Cane Only Option" page.**

Item Number	Note	Part Number	Description	Quantity Per	
				Package	Assembly
1		See Chart	#1 Back Cane Assemblies	1	1
2		1135506	Package, Foam Hand Grip (9" L)	10	1
3		1134426	Package, Plug Button, Black (3/4")	10	1
4	A	1135999	Kit, Back Cane Mounting Hardware (Pair)	1	1
5			Screw, Hex Head (5/16-18 x 1")	1	4
6			Washer, Flat (21/64 x 53/64 x 7/64")	1	4
7			Locknut (5/16-18)	1	4

**NOTE:** A - Includes items 5-7.

### #1 Back Cane Assemblies

Back Height	Back Cane-Push Handle Straight Right	Back Cane-Push Handle Straight Left
16"	1133793	1133794
17"	1133795	1133796
18"	1143334	1143335
	See Note(s) C	See Note(s) C
19"	1133799	1133800
20"	1133801	1133802
	See Note(s) D, A	See Note(s) A, D
21"	1136011	1136012
	See Note(s) B	See Note(s) B
22"	1136013	1136014
	See Note(s) B	See Note(s) B
23"	1136015	1136016
	See Note(s) B	See Note(s) B
24"	1136017	1136018
	See Note(s) B	See Note(s) B

**NOTE:** A - All 20"-24" high ABS Curved Backs ordered On-Chair will use the 20" High Back Cane.  
 B - 21"-24" high Back Canes are only offered On-Chair when Back Post Only option is selected.  
 C - Wheelchairs manufactured before 5/15/09 with a Contoura Back 25" or 29" high and wheelchairs manufactured after 5/14/09 with a Curve Contoura Back 22" high will use the 18" high Straight Back Cane w/ Push Handle.  
 D - Wheelchairs manufactured after 5/14/09 with a Curve Contoura Back 25" or 28" high will use the 20" high Straight Cane w/ Push Handle.

**NOTE:** Back Cane Assemblies include Foam Grips and Plug Buttons where shown