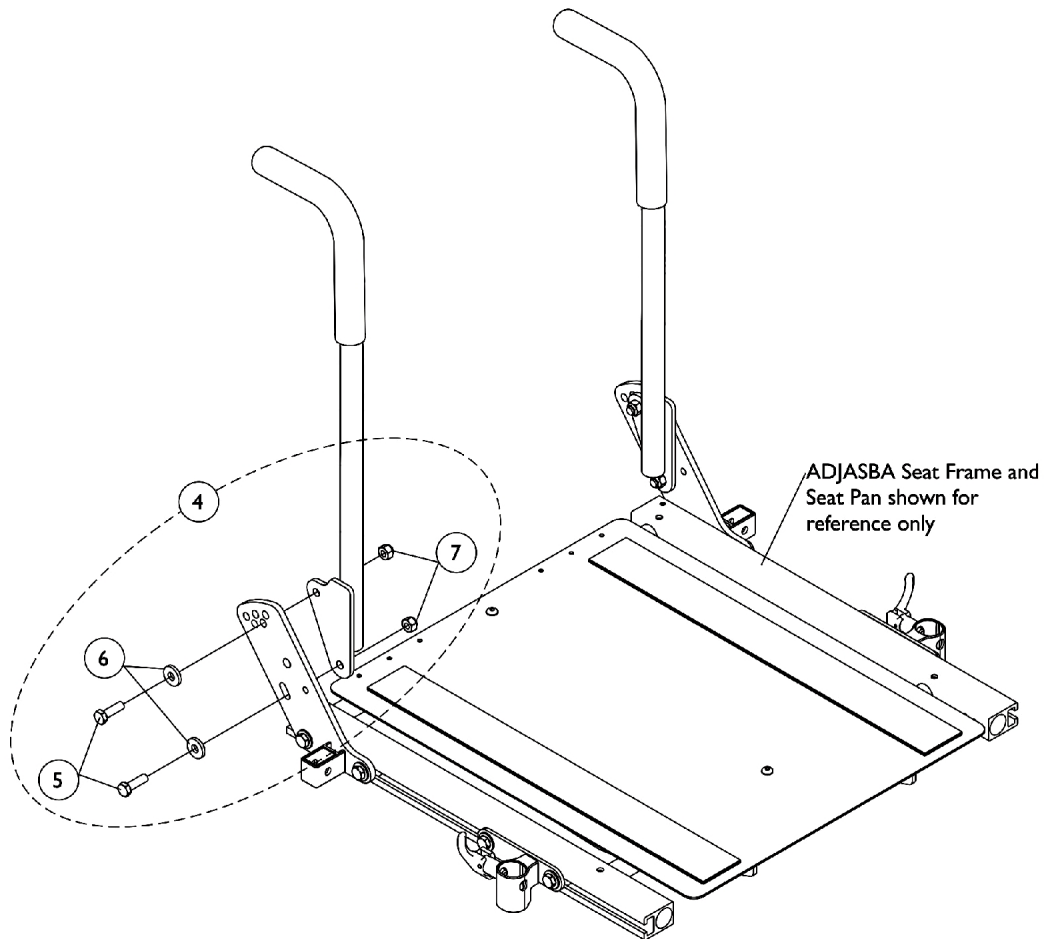
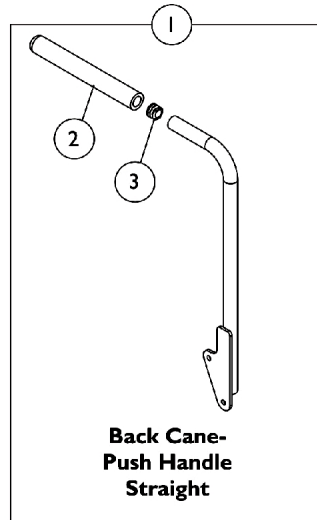


Back Canes and Attaching Hardware

For ADJASBA Seats (After 7/4/05)

NOTE: Spreader bars are used for the Back Cane Only Option to mount the headrest support assembly.
See "Accessories, Headrest Support Assembly for Back Cane Only Option" page.



Back Canes and Attaching Hardware For ADJASBA Seats (After 7/4/05)

NOTE: Spreader bars are used for the Back Cane Only Option to mount the headrest support assembly. See "Accessories, Headrest Support Assembly for Back Cane Only Option" page.

Item Number	Note	Part Number	Description	Quantity Per	
				Package	Assembly
1		See Chart	#1 Back Cane Assemblies	1	1
2		1135506	Package, Foam Hand Grip (9" L)	10	1
3		1134426	Package, Plug Button, Black (3/4")	10	1
4	A	1135999	Kit, Back Cane Mounting Hardware (Pair)	1	1
5			Screw, Hex Head (5/16-18 x 1")	1	4
6			Washer, Flat (21/64 x 53/64 x 7/64")	1	4
7			Locknut (5/16-18)	1	4

NOTE: A - Includes items 5-7

#1 Back Cane Assemblies

Back Height	Back Cane-Push Handle Straight Right	Back Cane-Push Handle Straight Left
16"	1133793	1133794
17"	1133795	1133796
18"	1143334	1143335
	See Note(s) C	See Note(s) C
19"	1133799	1133800
20"	1133801	1133802
	See Note(s) A, D	See Note(s) A, D
21"	1136011	1136012
	See Note(s) B	See Note(s) B
22"	1136013	1136014
	See Note(s) B	See Note(s) B
23"	1136015	1136016
	See Note(s) B	See Note(s) B
24"	1136017	1136018
	See Note(s) B	See Note(s) B

NOTE: A - All 20"-24" high ABS Curved Backs ordered On-Chair will use the 20" High Back Cane.
 B - 21"-24" high Back Canes are only offered On-Chair when Back Post Only option is selected.
 C - Wheelchairs manufactured before 5/15/09 with a Contoura Back 25" or 29" high and wheelchairs manufactured after 5/14/09 with a Curve Contoura Back 22" high will use the 18" high Straight Back Cane w/ Push Handle.
 D - Wheelchairs manufactured after 5/14/09 with a Curve Contoura Back 25" or 28" high will use the 20" high Straight Cane w/ Push Handle.

NOTE: Back Cane Assemblies include Foam Grips and Plug Buttons where shown