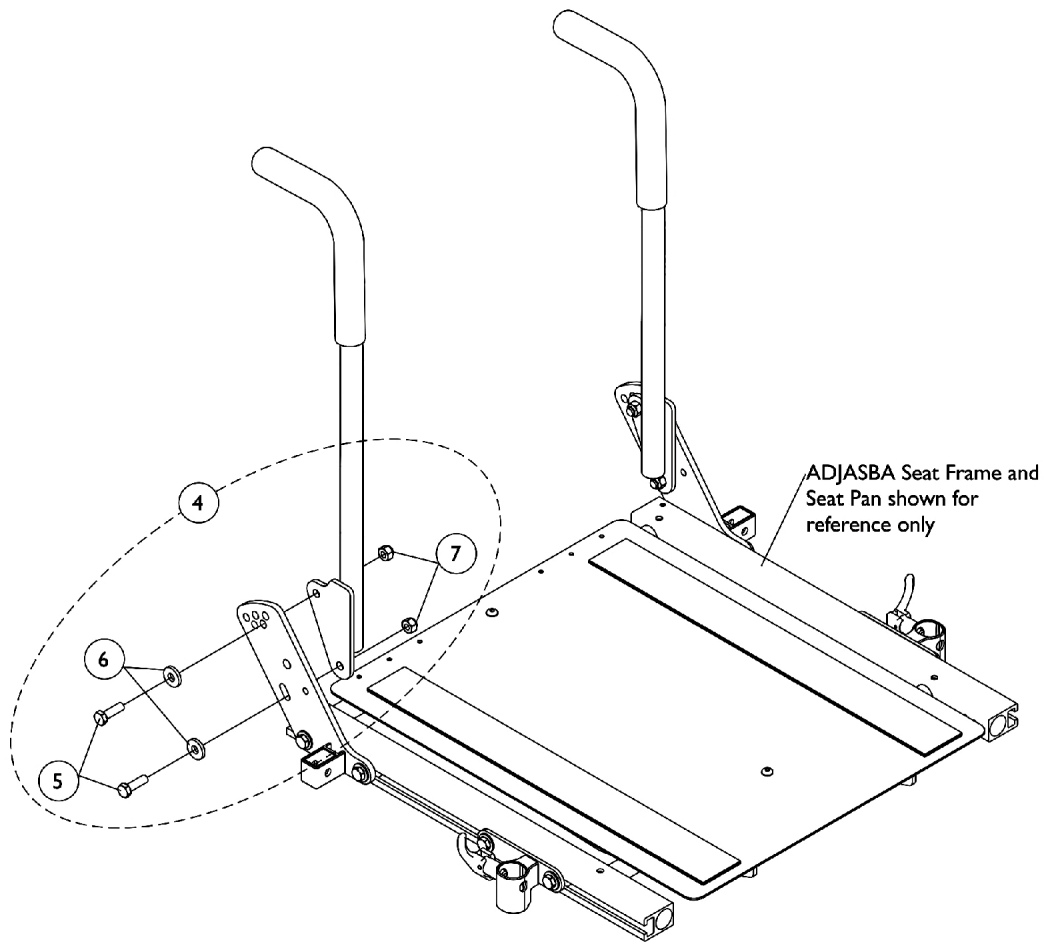
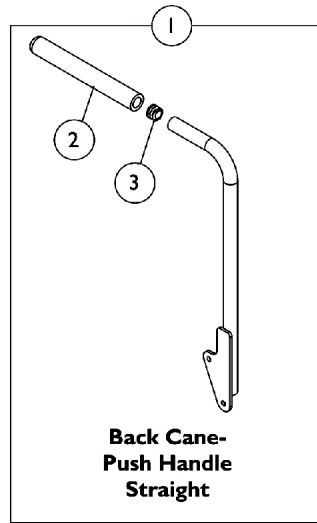


Back Canes and Attaching Hardware

For ADJASBA Seat (16"-22" Wide) (After 7/4/05)



Back Canes and Attaching Hardware For ADJASBA Seat (16"-22" Wide) (After 7/4/05)

Item Number	Note	Part Number	Description	Quantity Per	
				Package	Assembly
1		See Chart	#1 Back Cane Assemblies	1	1
2		1135506	Package, Foam Hand Grip (9" L)	10	1
3		1134426	Package, Plug Button, Black (3/4")	10	1
4	A	1135999	Kit, Back Cane Mounting Hardware (Pair)	1	1
5			Screw, Hex Head (5/16-18 x 1")	1	4
6			Washer, Flat (21/64 x 53/64 x 7/64")	1	4
7			Locknut (5/16-18)	1	4

NOTE: A - Includes items 5-7

#1 Back Cane Assemblies

Back Height	Back Cane-Push Handle Straight Right	Back Cane-Push Handle Straight Left
12"	1133785	1133786
13"	1133787	1133788
14"	1133789	1133790
15"	1133791	1133792
16"	1133793	1133794
17"	1133795	1133796
18"	1143334	1143335
19"	See Note(s) C	See Note(s) C
20"	1133799	1133800
21"	1133801	1133802
See Note(s) A	See Note(s) D	See Note(s) D
22"	1136011	1136012
See Note(s) B	1136013	1136014
23"	1136015	1136016
See Note(s) B	1136017	1136018
24"		
See Note(s) B		

NOTE: A - All 20"-24" high ABS Curved Backs ordered On-Chair will use the 20" high back cane.
 B - 21"-24" high back canes are only offered On-Chair when Back Post Only option is selected.
 C - Wheelchairs manufactured before 5/15/09 with a Contoura Back 25" or 29" high and wheelchairs manufactured after 5/14/09 with a Curve Contoura Back 22" high will use the 18" high Straight Back Cane w/ Push Handle.
 D - Wheelchairs manufactured after 5/14/09 with a Curve Contoura Back 25" or 28" high will use the 20" high Straight Cane w/ Push Handle.

NOTE: Back Cane Assemblies include Foam Grips and Plug Buttons where shown