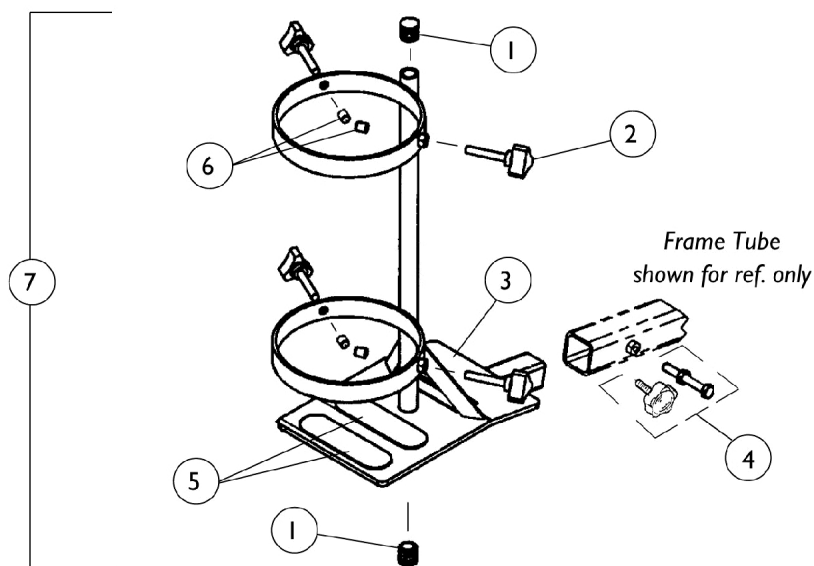


## Accessories - Oxygen Holder



Item Number	Note	Part Number	Description	Quantity Per	
				Package	Assembly
1		1035614	Plug Button, Black (5/8")	1	2
2		1027684	Knob, Clamping, Black	1	4
3		1080866	Decal, Oxygen Warning - English	1	1
3		1090093-NLA	NLA - Decal, Oxygen Warning - French Canadian	1	1
3		1092793-NLA	NLA - Decal, Oxygen Warning - Domestic Spanish	1	1
4	C	1088765-NLA	NLA - Fastener Hardware, Accessory Tube Includes: 1 ea. Tighten Knob 1 ea. Screw, Hex Cap (M10 x 25) 1 ea. Nut (M10 x 1.25 x 17)	1	1
5		1072004	Pad, Non-Skid Adhesive Back	1	2
6	A	1086780-NLA	NLA - Package, Protective Cap	10	1
7	C	1091306-NLA	NLA - Oxygen Holder Assembly - Deluxe Seats	1	1
7	C	1091409	Oxygen Holder Assembly	1	1
	B	2000454	Bag, Poly (39" L x 33" W)	1	1
	B	1091305-NLA	NLA - Instruction Sheet, Oxygen Holder	1	1
	B	1083052-NLA	NLA - Carton, Shipper, Oxygen Holder	1	1

NOTE: A - 4 Protective Caps are included with Oxygen Holder Assembly, replacements caps are sold in Packages of 10.  
 B - Not Shown  
 C - Item 4, Fastener Hardware, is NOT included with Oxygen Holder Assembly. Must be ordered separately.