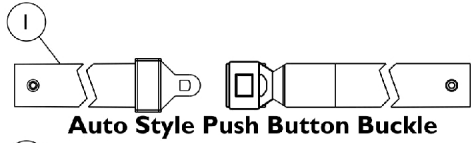
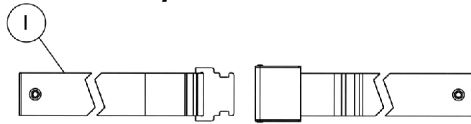


Miscellaneous Accessories

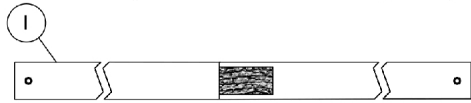
NOTE: Chest Positioning Straps share the same hardware that attaches a Back Upholstery



Auto Style Push Button Buckle

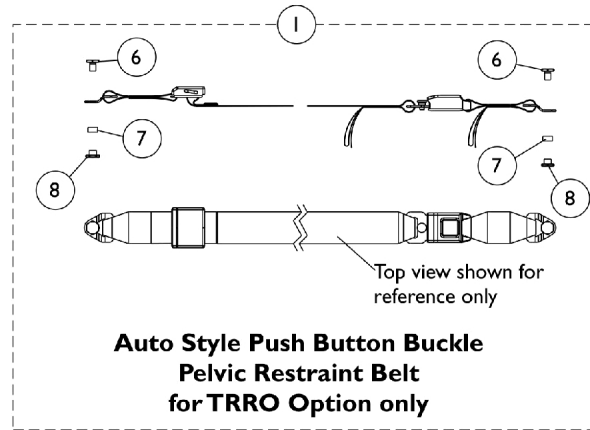


Airline Style Buckle Positioning Strap

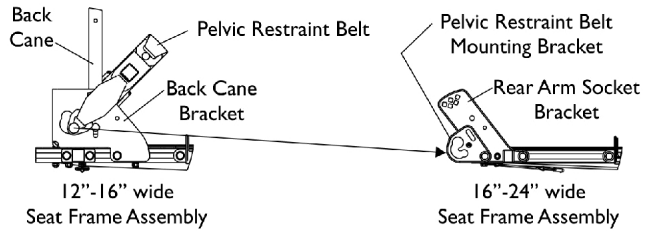


Hook and Loop Style Buckle Positioning Strap

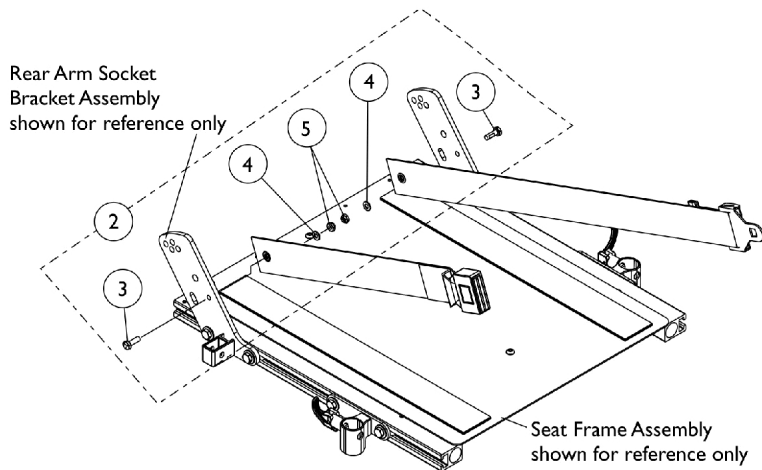
**Positioning Straps
(For ASBA and ADJASBA Seating
without TRRO Option)**



**Auto Style Push Button Buckle
Pelvic Restraint Belt
for TRRO Option only**



**Pelvic Restraint Belt Mounting Location
(For ADJASBA Seating w/ TRRO Option)**



**Seat Positioning Strap
Mounting Hardware
(For ADJASBA Seating)**

Miscellaneous Accessories

NOTE: Chest Positioning Straps share the same hardware that attaches a Back Upholstery

| Item Number | Note | Part Number | Description | Quantity Per | |
|-------------|------|---------------|--|--------------|----------|
| | | | | Package | Assembly |
| 1 | | See Chart | #1 Positioning Straps | 1 | 1 |
| 1 | C | See Chart | #1 Pelvic Restraint Belt For TRRO Option Only | 1 | 1 |
| 2 | A | 1124385 | Kit, Seat Positioning Strap Mounting Hardware (both LT & RT sides) | 1 | 1 |
| 3 | | | Screw, Hex Head w/ Patch (1/4-20 x 3/4") | 1 | 2 |
| 4 | | | Washer (1/4 x 1/2 x 1/16") | 1 | 2 |
| 5 | | | Locknut (1/4-20) | 1 | 2 |
| 6 | | 1134055-NLA | NLA - Screw, Hex Head (3/8-24 x 5/8") | 1 | 2 |
| 7 | | 1134054-NLA | NLA - Bushing, Nylon (1/2 x 9/16 x 9/32") | 1 | 2 |
| 8 | | 1134056-NLA | NLA - Nut, Barrel (3/8-24) | 1 | 2 |
| | B | 40176X010-NLA | NLA - Pump, Tire | 1 | 1 |

NOTE: A - Includes items 3-5
 B - Not Shown
 C - Before ordering a replacement Pelvic Restraint Belt for TRRO Option, Please read the information provided on page titled "TRRO and TRBKTS Option Clarification Reference" page

Miscellaneous Accessories

NOTE: Chest Positioning Straps share the same hardware that attaches a Back Upholstery

#1 Positioning Straps

| Description | 12"-15" Wide | 16"-19" Wide | 20"-22" Wide | 23"-24" Wide |
|--|---|--|--|---|
| Auto Style Push Button | 1036527 Strap, Positioning, Seat/Chest w/ Auto Style Buckle (Eyelet to Eyelet Length 33") See Note(s) A | 1004310 Strap, Positioning, Seat/Chest w/ Auto Style Push Button Buckle (Eyelet to Eyelet Length 48") | 1034625 Strap, Positioning, Seat/Chest w/ Auto Style Push Button Buckle (Eyelet to Eyelet Length 61") | 1034622-NLA NLA - Strap, Positioning, Seat/Chest w/ Auto Style Push Button Buckle (Eyelet to Eyelet Length 69") See Note(s) C |
| Airline Style | N/A | TAGTS1034751-NLA NLA - Strap, Positioning, Seat/Chest w/ Airline Style Buckle (Eyelet to Eyelet Length 46") | 1034752-NLA NLA - Strap, Positioning, Seat/Chest w/ Airline Style Buckle (Eyelet to Eyelet Length 61") See Note(s) D | 1034753-NLA NLA - Strap, Positioning, Seat/Chest w/Airline Style Buckle (Eyelet to Eyelet Length 70") |
| Hook and Loop | N/A | 1034744 Strap, Positioning, Seat/Chest w/ Hook and Loop Style Buckle (Eyelet to Eyelet Length 45") See Note(s) B | 1034745 Strap, Positioning, Seat/Chest w/ Hook and Loop Style Buckle (Eyelet to Eyelet Length 61") See Note(s) B | 1034746 Strap, Positioning, Hook and Loop Style Buckle (Eyelet to Eyelet Length 69") See Note(s) B |
| NOTE: A - 12"-15" wide positioning straps come in rainbow color. B - Hook and Loop style positioning strap for power chairs is used for chest positioning only C - For replacement contact The Aftermarket Group (TAG). D - 1034752 Airline Buckle Style is No Longer Available. Use Auto Style part number 1034625 as a replacement. | | | | |

#1 Pelvic Restraint Belt For TRRO Option Only

| Description | 12"-16" Wide | 16"-24" Wide |
|---|--|---|
| Auto Style Push Button | 1134475-NLA NLA - Belt, Pelvic Restraint w/ Auto Style Push Button Buckle (Bushing Hole to Bushing Hole Length 37") | 1134476 Belt, Pelvic Restraint w/ Auto Style Push Button Buckle (Bushing Hole to Bushing Hole Length 55") See Note(s) A |
| NOTE: A - Includes the Pelvic Restraint Belt and items 8-10 | | |