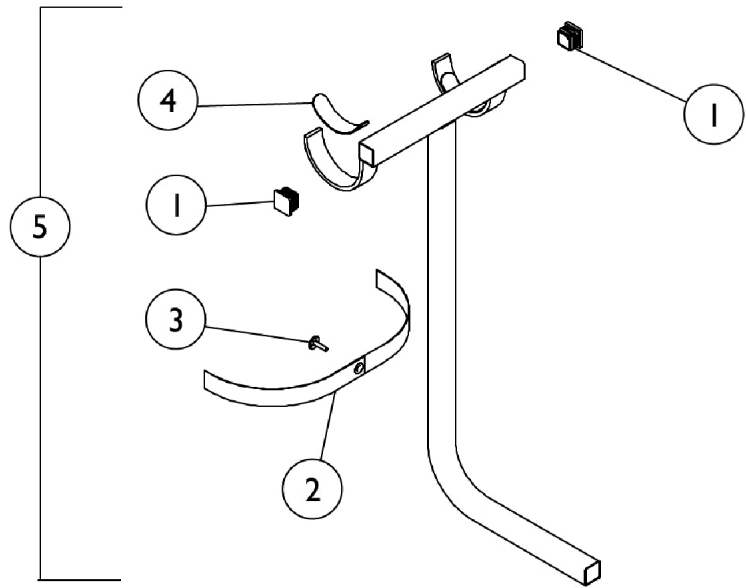


Accessories

THE PRODUCTION OF THE P725 IS CURRENTLY SUSPENDED. CONTACT CUSTOMER SERVICE FOR ORDERING OPTIONS.

WALKER HOLDER



Accessories

THE PRODUCTION OF THE P725 IS CURRENTLY SUSPENDED. CONTACT CUSTOMER SERVICE FOR ORDERING OPTIONS.

Walker Holder

Item Number	Note	Part Number	Description	Quantity Per	
				Package	Assembly
1		1055662	Plug Button, Square, Black (1-1/8")	1	2
2		1032222	Strap, Black	1	1
3		1076284	Screw w/ Washer (#10 x 7/8")	1	1
4		1072003-NLA	NLA - Pad, Non-Skid Adhesive Back	1	2
5		P775	Walker Holder Assembly, Deluxe Seats	1	1
5		P770	Walker Holder Assembly	1	1
	A	2000454	Bag, Poly (39" L x 33" W)	1	1
	A,B	1098305-NLA	NLA - Instruction Sheet, Walker Holder	1	1
	A	1061434-NLA	NLA - Carton	1	1
	A	See Chart	Accessories	1	1

NOTE: A - Not Shown
 B - Item is no longer available from the Invacare Service Parts Department. Refer to the Invacare Website under "Product Literature Search". Enter the part number in the "Keywords" field and download a free PDF version copy.

Description	Part Number	Package Quantity
Batteries, 12 Volt -12 Amp Hour (Zoom-3)	12AH-2 See Note(s) A	2
Batteries, 12 Volt -31 Amp Hour (Lynx LX3/LX3Plus and Panther LX4)	U1GEL-2 See Note(s) A	2
Batteries, 12 Volt -17 Amp Hour (Lynx SX3P/SX3)	17AH See Note(s) A	2
Batteries, 12 Volt -40 Amp Hour (Panther MX4)	40AH-2 See Note(s) A	2
Holder, Crutch/Cane See Note(s) D	P725 See Note(s) D	1
NLA - Holder, Crutch/Cane, Panther MX4	P730-NLA	1
NLA - Mirror, Rear View, Standard Tiller Models	P735-NLA	1
NLA - Mirror, Rear View, Delta Tiller Models	P736-NLA	1
Oxygen Holder	P700 P750 See Note(s) B	1
Basket, Rear - Lynx SX3P/ SX3/ LX3, Zoom-3 and Panther LX4 w/ Contour Seat	P780	1
NLA - Basket, Rear - Lynx SX3P/ SX3 and LX3 Plus with Deluxe Seat	P785-NLA	1
Basket, Rear - Panther LX4/ MX4 with Deluxe Seat	P790	1
Flag, Safety	P710	1
Strap, Seat Positioning - All Models	P715	1
Extension, Throttle Lever (Pair)	P755	2

Accessories

THE PRODUCTION OF THE P725 IS CURRENTLY SUSPENDED. CONTACT CUSTOMER SERVICE FOR ORDERING OPTIONS.

Description	Part Number	Package Quantity
Walker Holder	P770 P775 See Note(s) C	1
<p>NOTE: A - Batteries are an Equipment Item and are shown for reference only. B - See Oxygen Holder page for details. C - See Walker Holder page for details. D - THE PRODUCTION OF THE P725 IS CURRENTLY SUSPENDED. CONTACT CUSTOMER SERVICE FOR ORDERING OPTIONS.</p>		