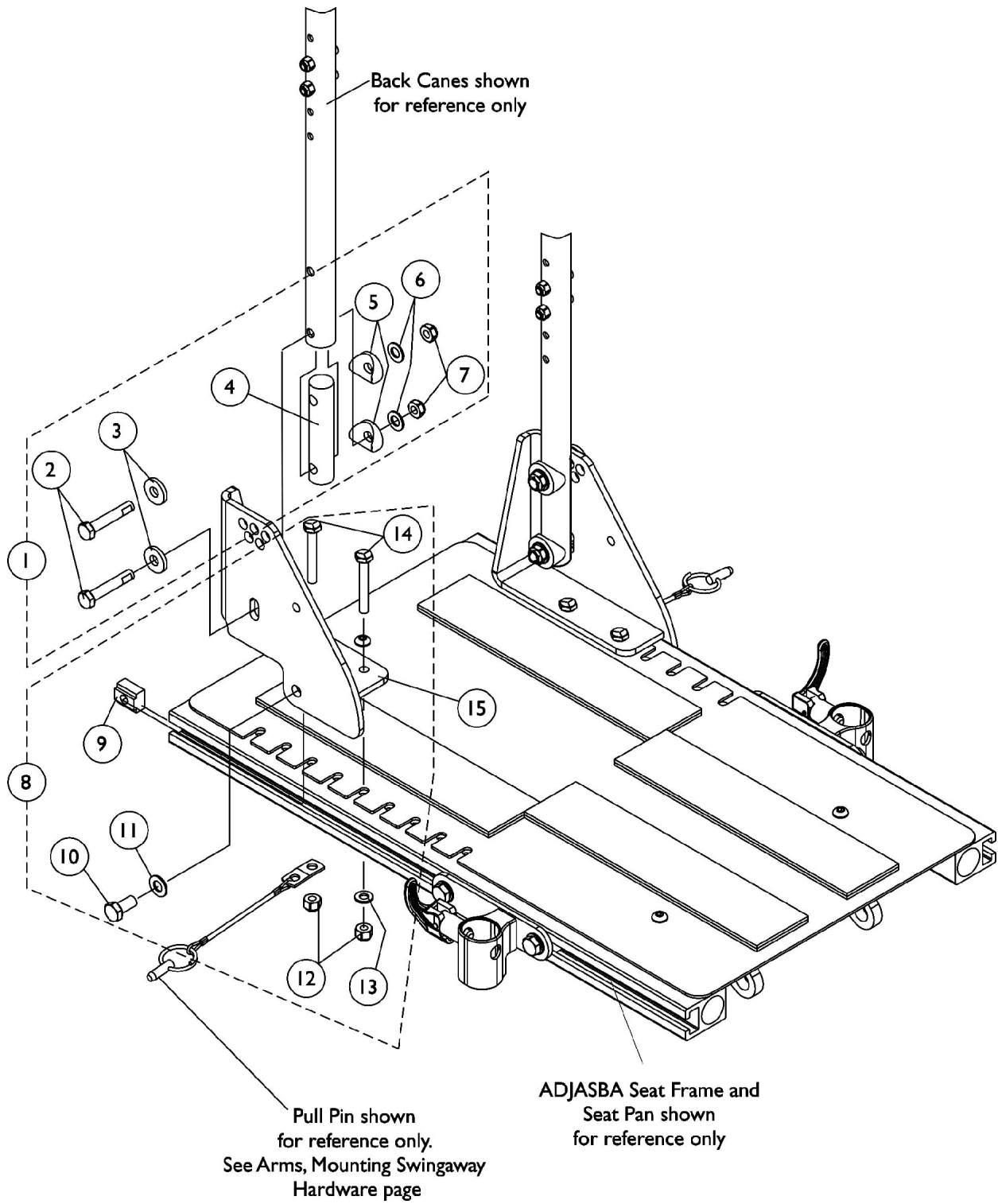


Back Cane Attaching Hardware

For ADJASBA Seats (12"-16" Wide)



Back Cane Attaching Hardware For ADJASBA Seats (12"-16" Wide)

| Item Number | Note | Part Number | Description | Quantity Per | |
|---|------|-------------|---|--------------|----------|
| | | | | Package | Assembly |
| 1 | A | 1126146-NLA | Kit, Back Cane Attaching Hardware | 2 | 1 |
| 2 | | | NLA - Screw, Hex Head w/ Patch (5/16-18 x 1-3/4") | 1 | 4 |
| 3 | | | Washer, Flat (21/64 x 53/64 x 7/64") | 1 | 4 |
| 4 | | | NLA - Insert, Back Cane | 1 | 2 |
| 5 | | | Spacer, Coved (3/4 x 1 x 1/2") | 1 | 4 |
| 6 | | | Washer, Flat (5/16 x 5/8 x 1/16") | 1 | 4 |
| 7 | | | Locknut (5/16-18) | 1 | 4 |
| 8 | B | 1135499-NLA | NLA - Kit, Back Cane Bracket Mounting Hardware | 2 | 1 |
| 9 | | | T-Nut (5/16-18) | 1 | 2 |
| 10 | | | Screw, Hex Head w/ Patch (5/16-18 x 5/8") | 1 | 2 |
| 11 | | | Washer, Flat (5/16 x 5/8 x 1/16") | 1 | 2 |
| 12 | | | Locknut (1/4-20) | 1 | 4 |
| 13 | | | Washer (1/4 x 1/2 x 1/16") | 1 | 2 |
| 14 | | | NLA - Screw, Hex Head (1/4-20 x 1-3/4") | 1 | 4 |
| 15 | | 1133597-NLA | NLA - Bracket, Back Cane Mounting, Black - Right | 1 | 1 |
| 15 | | 1133598-NLA | NLA - Bracket, Back Cane Mounting, Black - Left | 1 | 1 |
| NOTE: A - Includes items 2-7 B - Includes items 9-14 | | | | | |