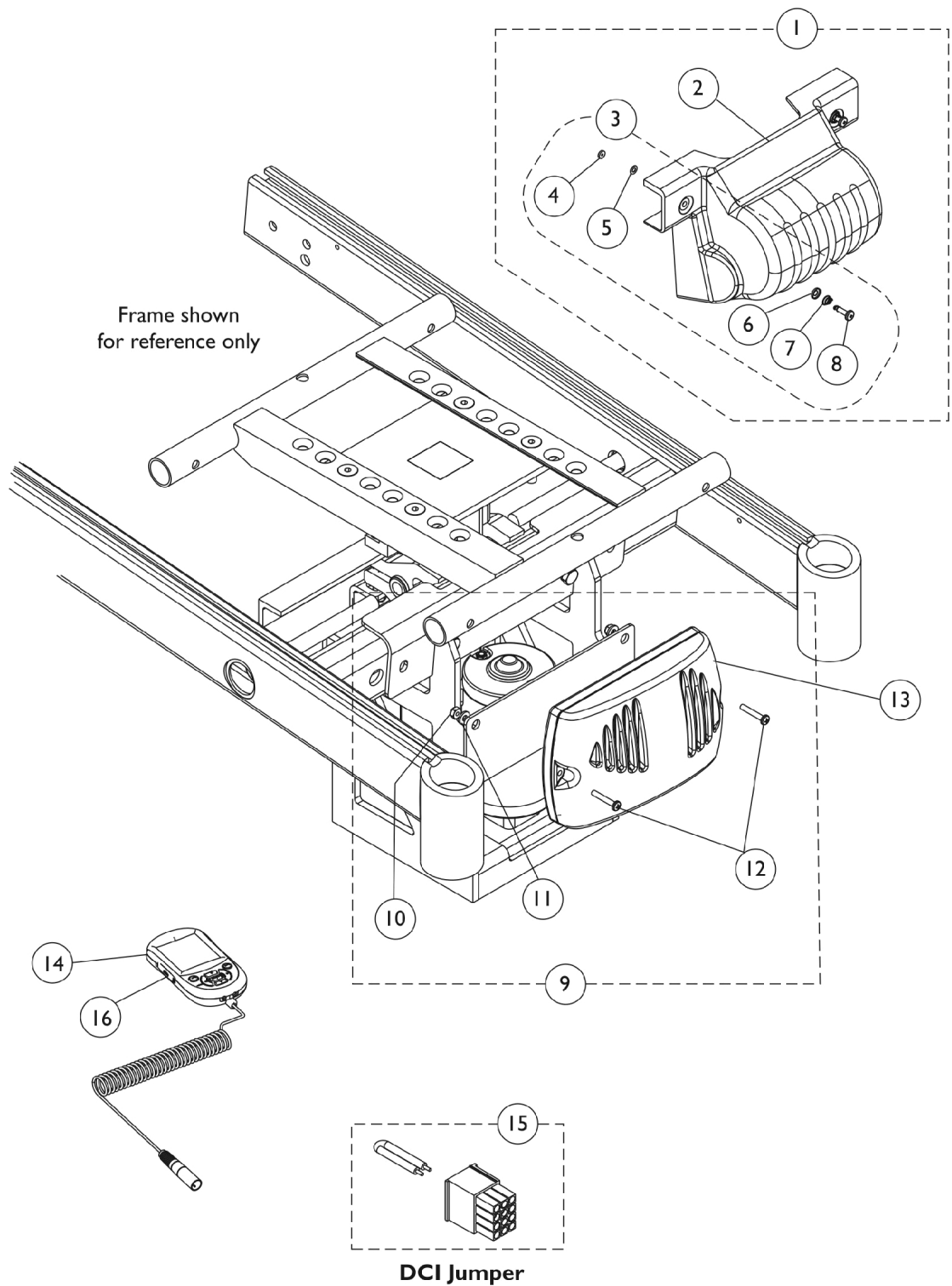


Controller - Programmer - Shroud Cover w/ Mtg. Hdw. - 3G Storm w/ 4 Pole Motors & Formula CG Elevate



Controller - Programmer - Shroud Cover w/ Mtg. Hdwr. - 3G Storm w/ 4 Pole Motors & Formula CG Elevate

Item Number	Note	Part Number	Description	Quantity Per	
				Package	Assembly
1	A	1144784-NLA	Kit, Controller Shroud with Hardware	1	1
2			Shroud, Controller	1	1
4			NLA - Retainer, Stud (1/4" Turn)	1	2
5			NLA - Washer, Nylon Retainer (1/4 x 1/2 x 1/32")	1	2
6			NLA - Washer, Nylon Cupped (9/32 x 19/32 x 3/32")	1	2
7			NLA - Spring, Torsion Ejector	1	2
8			NLA - Stud, Phillips Recess (1/4" Dia. x 1" Long, 1/4 Turn)	1	2
3	B	1104706-NLA	NLA - Kit, Controller Shroud Mounting Hardware (Pair)	1	1
4		1110509-NLA	NLA - Retainer, Stud (1/4" Turn)	1	2
5		1070580-NLA	NLA - Washer, Nylon Retainer (1/4 x 1/2 x 1/32")	1	2
6		1070581-NLA	NLA - Washer, Nylon Cupped (9/32 x 19/32 x 3/32")	1	2
7		1093312-NLA	NLA - Spring, Torsion Ejector	1	2
8		1110508-NLA	NLA - Stud, Phillips Recess (1/4" Dia. x 1" Long, 1/4 Turn)	1	2
9	C	1145570-NLA	NLA - Kit, Controller Mounting Hardware	1	1
10			Locknut (#8-32)	1	2
11			Washer, Steel (3/16 x 7/16 x 1/16")	1	2
12			Screw, Phillips Pan Head (#8-32 x 1")	1	2
13		1136898	Controller, MK690 w/ ACC	1	1
14	F	1139985	Programmer, MK6i Remote	1	1
14	F	1142215	Kit, MK6i Remote Programmer w/ SD Professional Card & Card Holder (1813M6)	1	1
15	E	1140125-NLA	NLA - Jumper, DCI	1	1
16		1139997	Cover, SD Card Slot	1	1
	D	1095502-NLA	NLA - Package, Tie Wrap (11-1/2" L)	10	1

NOTE: A - Includes items 2 and 3.
B - Includes items 4-8.
C - Includes items 10-12.
D - Not Shown
E - DCI Jumper is used when an MPJ+ Joystick is used
F - The MK6i Programmer Manual (1141471) is not included and is strongly recommended the guide be ordered or downloaded from Literature Fulfillment.