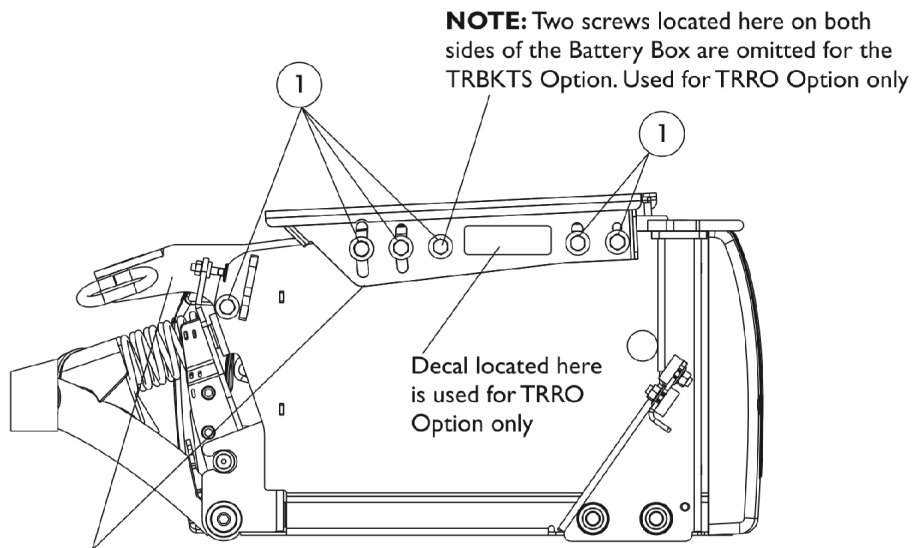
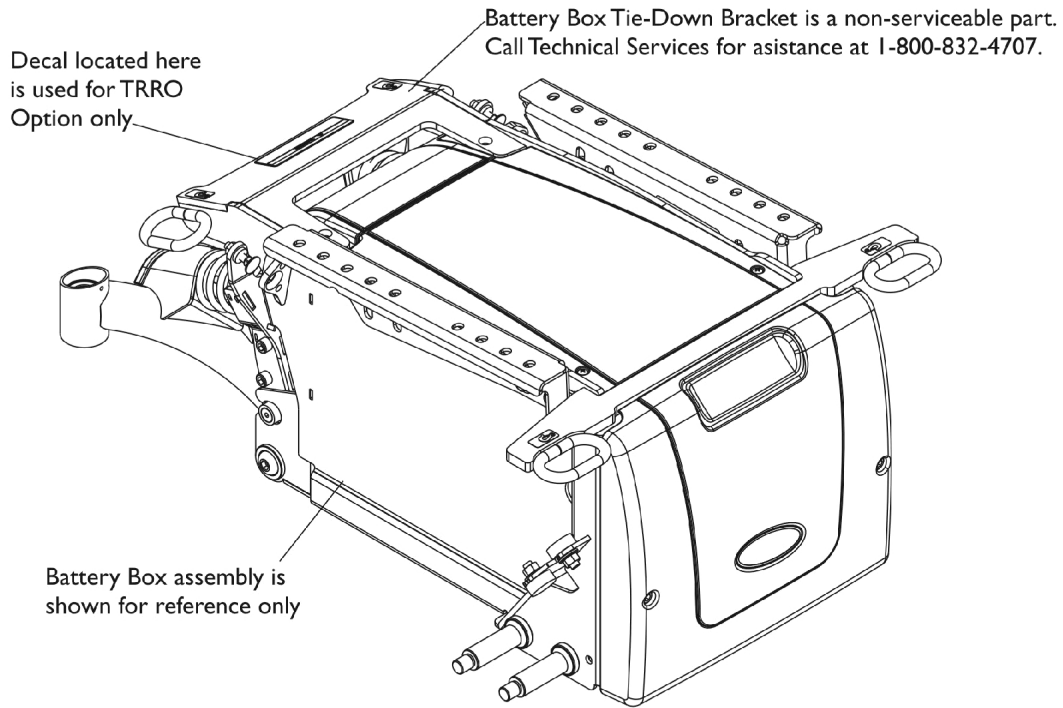


Battery Box Tie-Down Bracket Mounting Hardware For TRRO/TRBKTS Option



NOTE: The Seat Frame Mounting Plate and Battery Box Tie-Down Bracket use the same mounting hardware

Battery Box Tie-Down Bracket Mounting Hardware For TRRO/TRBKTS Option

Item Number	Note	Part Number	Description	Quantity Per	
				Package	Assembly
1	A	1144677-NLA	NLA - Package, Screw Hex Head Sems with Patch (5/16-18 x 3/4")	12	1
1	B	1144678	Package, Screw Hex Head Sems with Patch (5/16-18 x 3/4")	10	1
NOTE: A - Bracket Tie-Down Mounting Hardware For TRRO Option B - Bracket Tie-Down Mounting Hardware For TRBKTS Option					