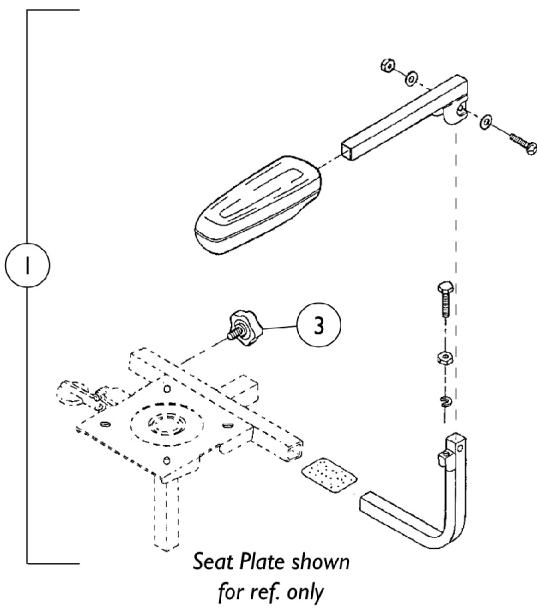


# Arm Assembly

Arms for Zoom-3 models are included with the Zoom-3 Seat Assembly.

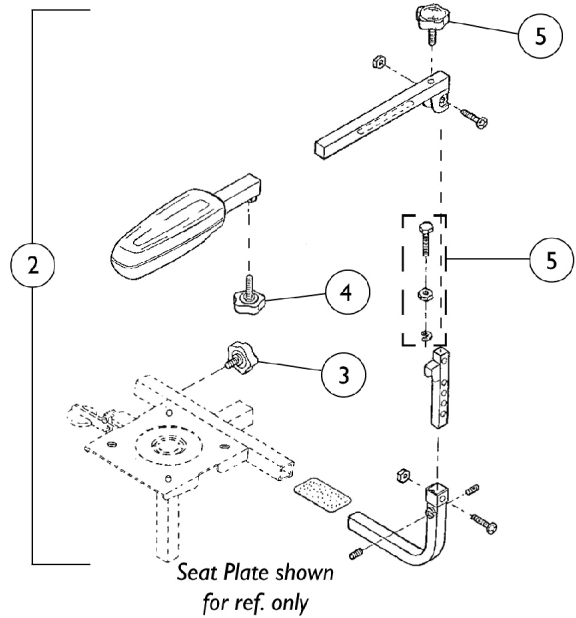
Lynx SX3P  
Lynx SX3  
Lynx LX3

## Contour Seats (Fixed Height)



Lynx LX3<sup>Plus</sup>  
Panther LX4  
Panther MX4

## Deluxe Seats (Adjustable Height)



# Arm Assembly

**Arms for Zoom-3 models are included with the Zoom-3 Seat Assembly.**

Item Number	Note	Part Number	Description	Quantity Per	
				Package	Assembly
1	A	1088763-NLA	NLA - Arm Assembly, Contour Seat (Fixed Height), Lynx SX3P/ SX3/ LX3	2	1
2	A	1088764-NLA	NLA - Arm Assembly, Deluxe Seat (Adjustable Height), Lynx LX3 Plus and Panther LX4/ MX4	2	1
3		1088768-NLA	NLA - Knob, Lower Arm Tightening	1	2
4		1088769-NLA	NLA - Knob, Upper Arm Tightening	1	2
5	B	1088770	Knob, Angle Adjustment - Before S/N 00E412823	1	2
5	B	1101279-NLA	NLA - Hardware, Arm Angle Adjustment, After S/N 00E412822	1	2
	C	1088796-NLA	NLA - Hardware, Arm, Contour Seat Includes: 1 each Washer, Spring (8 x 13) 2 each Nut (M8 x 13) 1 each Screw, Hex (M8 x 1-1/4 x 35) 2 each Washer (8.6 x 20.8 x 1) 1 each Screw (M8 x 1.25 x 40)	1	1
	C	1091143-NLA	NLA - Hardware, Arm, Deluxe Seat Includes: 2 each Screw (M8 x 1-1/4 x 8) 1 each Screw (M8 x 1-1/4 x 40) 2 each Nut, Self-Lock (8 x 1-1/4 x 13) 1 each Screw (M8 x 1.25 x 32)	1	1
<p>NOTE: A - Arm Assembly does NOT include Adjustment Knobs (Item 3, 4 and 5). They must be ordered separately            B - Due to a design change the Angle Adjustment Knob has been replaced by Arm Angle Adjustment Hardware            C - Not Shown</p>					