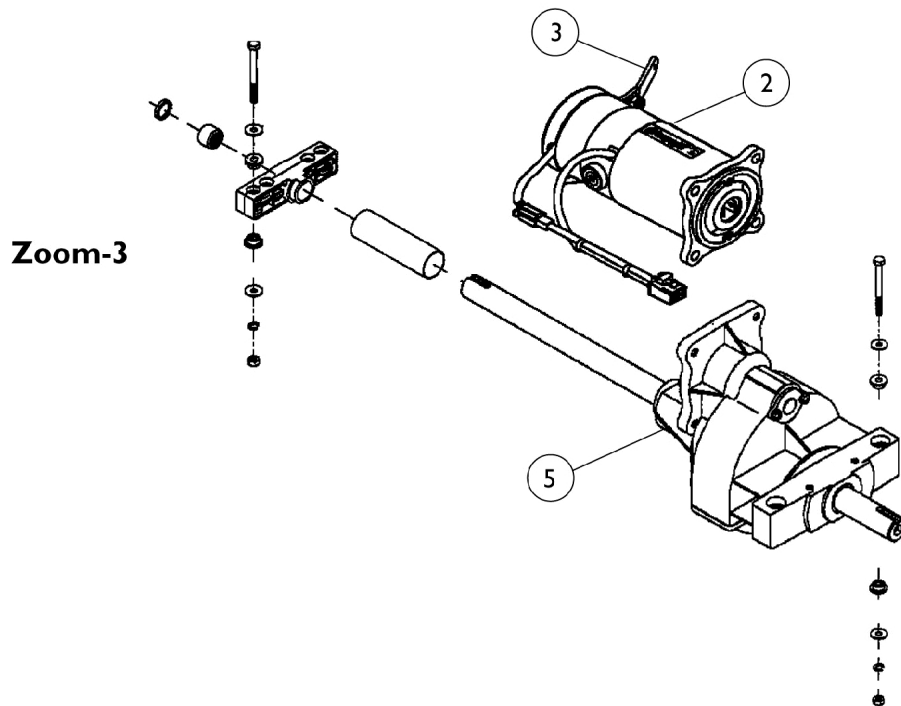
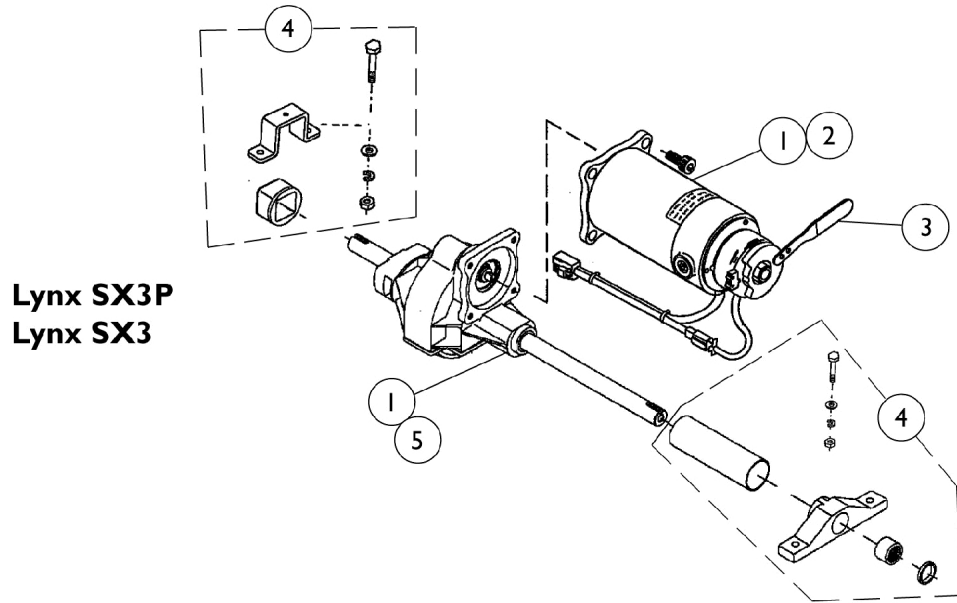


Trans-Axle Assembly

Lynx SX3P/SX3 & Zoom-3



Trans-Axle Assembly Lynx SX3P/SX3 & Zoom-3

Item Number	Note	Part Number	Description	Quantity Per	
				Package	Assembly
1	B	1088730-NLA	NLA - Trans-Axle w/ Motor and Brake (Lynx SX3P/ SX3)	1	1
2		1088733-NLA	NLA - Motor and Brake - Lynx SX3P/ SX3	1	1
2		1105928-NLA	NLA - Motor and Brake - Zoom-3	1	1
3		1088737-NLA	NLA - Lever, Brake Release - Lynx SX3P/ SX3	1	1
3		1105929-NLA	NLA - Lever, Brake Release - Zoom-3	1	1
4		1088795-NLA	NLA - Hardware, Trans-Axle - Lynx SX3P/ SX3	1	1
			Includes: (2 ea) Rubber, (1 ea) Bracket, (2 ea) Bolt (M8 x 1-1/4 x 55), (2 ea) Bolt (M8 x 1.25 x 45), (4 ea) Washer (8 x 2 x 22), (4 ea) Spring Washer (8 x 13), and (4 ea) Self-Lock Nut (M8 x 13).		
5	B	1099709-NLA	NLA - Trans-Axle - Lynx SX3P/ SX3	1	1
5		1105927-NLA	NLA - Trans-Axle w/ Hardware - Zoom-3	1	1
	A	1099736-NLA	NLA - Brush, Motor (Pair)	2	1
NOTE: A - Not Shown B - This part does NOT include the hardware.					