

**Aquatec® Ocean ErgoVIP
Shower Commode
Canada**



Yes, you can.

Parts Catalogue Usage Guide

The information contained in this document is subject to change without notice. This catalogue contains service parts for Form No. 19_416C. If you have any questions regarding this catalogue, please contact one of our Customer Service Representatives.

**For Customer Service Support Call:
1-800-668-5324 or 1-905-890-8300**
**For Faxed In Orders Call:
1-800-668-5478 or
1-905-890-5244**
**For Technical Service Call:
1-800-668-5324 x2655**
**For Orders:
canadaorders@invacare.com**
Literature: www.invacare.ca or 1-800-668-5324

SYMBOL DEFINITION

Throughout this catalog you will notice letters to draw your attention to specific footnotes which are located at the bottom of the page or below specified charts.

Examples:

A,B,C etc. = Special Comments
NOTE: = General information pertaining to that specific page
NLA = No Longer Available

HARDWARE MEASUREMENTS

The measurements for the hardware will be listed as follows:

Screws, Bolts Diameter X Thread Count/Pitch X Length
Washers Inside Diameter X Outside Diameter X Thickness
Spacers Inside Diameter X Outside Diameter X Length

For your convenience, we have supplied an area for you to list your Invacare Representatives.

Name	Phone Numbers

© 2022 Invacare Corporation, Elyria, Ohio. Invacare, the Medallion Design and Yes, you can. are registered trademarks of the Invacare Corporation. Information is subject to change without notification.

TABLE of CONTENTS

Description	Page Number
Accessories OceanErgoVIP After 01/31/21	10
Accessories OceanErgoVIP Before 02/01/21	6
General Information	3
Spare parts Ocean ErgoVIP After 01/31/21	8
Spare parts Ocean ErgoVIP Before 02/01/21	4

General Information



Yes, you can.®

General Information

For any order of spare parts the following information is required:

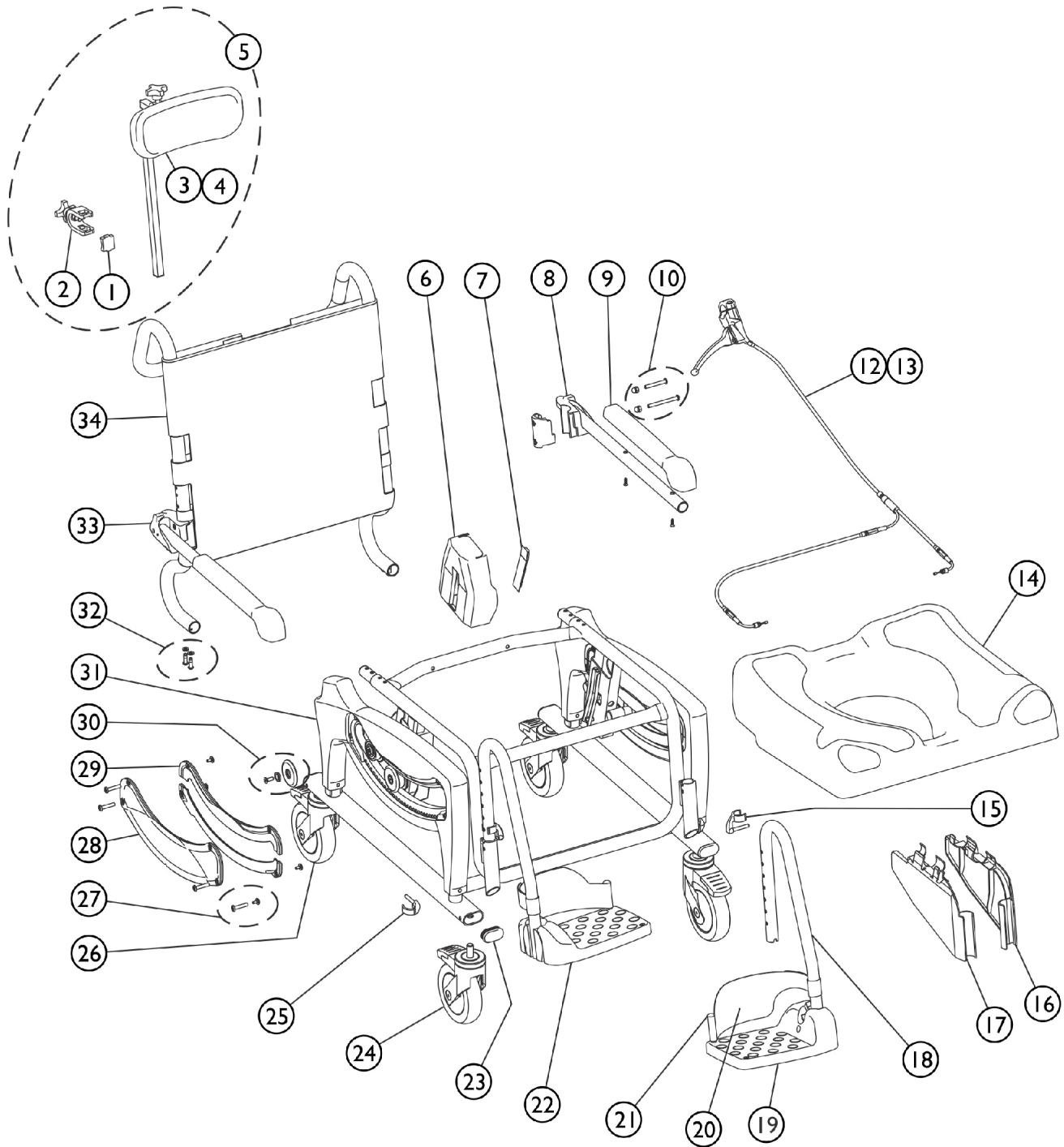
- Product type
- Product name & model
- Serial Number
- Part Number
- Part-Description

Exploded view drawings and code numbers are not contractual and subject to modification, in relation to Invacare® continuous product improvement policy to meet end users needs.

The reproduction or use of this work, or any substantial part of this work, in any form or by any electronic, mechanical or other means, including photocopying, scanning, and recording, and in any information storage and retrieval system, including electronic transmission, is forbidden without the prior written permission of Invacare® International Sarl.

SPC_058A

Spare parts Ocean ErgoVIP Before 02/01/21

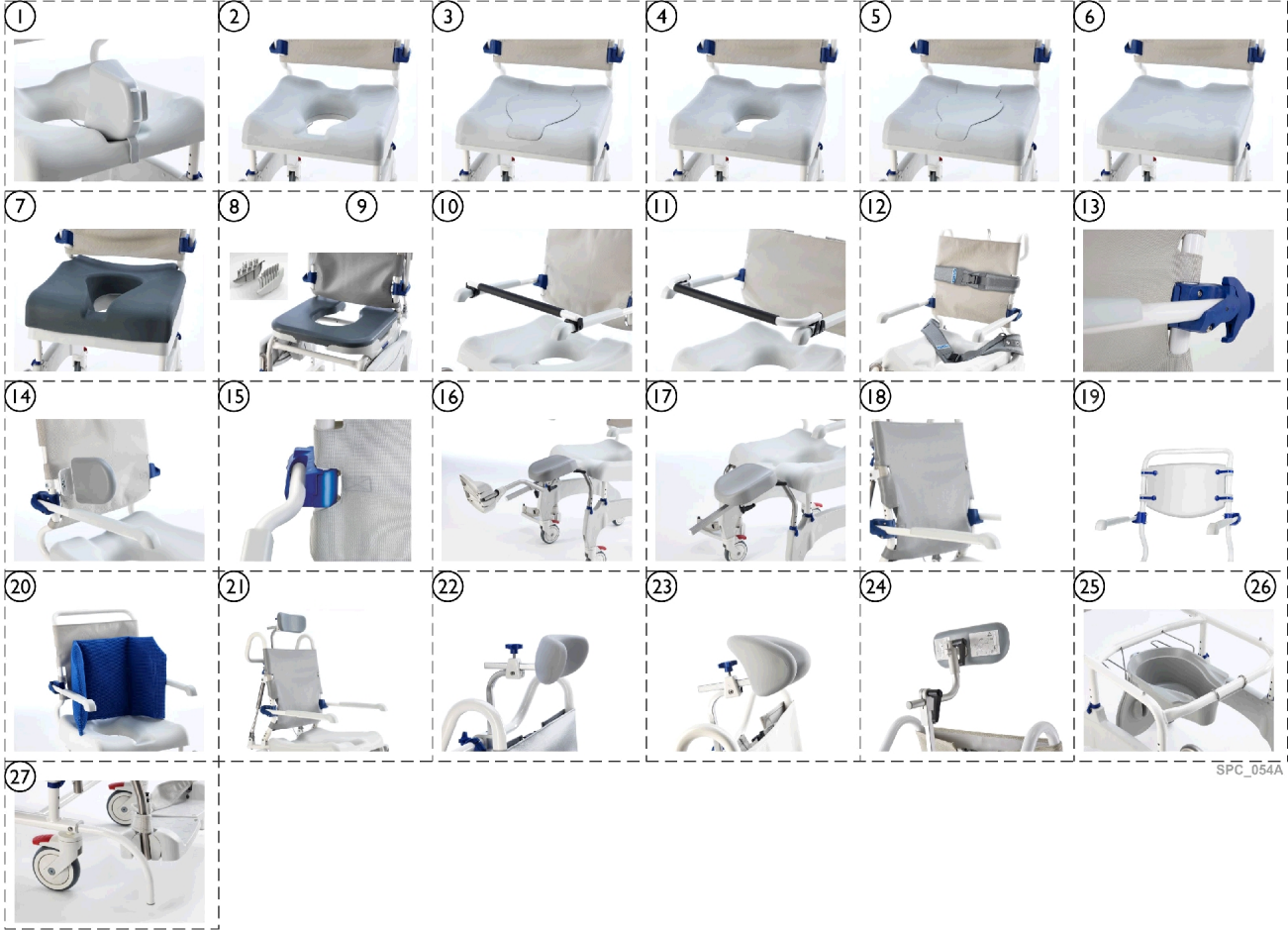


SPC_055A

Spare parts Ocean ErgoVIP Before 02/01/21

Item Number	Note	Part Number	Description	Quantity Per	
				Package	Assembly
1		1514509	Clamp, Headrest	1	1
2		1470971	Holder, Headrest	1	1
3		1470700	Headrest Assembly without Bracket	1	1
4		SP1607172	Headrest Pad w / screws - Ocean (Dual-)VIP Ergo	1	1
5		1470790	Headrest, Complete	1	1
6		SP1607763	Brake cover - Ocean (Dual-)VIP Ergo	1	2
7		SP1607764	Brake lever cover - Ocean (Dual-)VIP Ergo	1	2
8		1470694	Armrest Assembly Left	1	1
9		16472	Armrest Pads Incl. Screws Kit	1	2
10		1471052	Ocean Armrest Kit Parts	1	2
12		SP1607176	Bowden cable w/o lever	1	1
13		SP1607744	Bowden cable w / lever	1	1
14		SP1607743	Seat plate - Ocean Ergo Series	1	1
15		SP1607742	Clip, footrest - Ocean Ergo Series	1	2
16		SP1607003	Clamping protection cover left - Ocean (Dual-)VIP Ergo	1	1
17		SP1607807	Clamping protection cover right - Ocean (Dual-)VIP Ergo	1	1
18		SP1643541	Footrest cpl., Left - Ocean (XL) / (Dual-)VIP / Ocean Ergo Series	1	1
19		1470689	Footrest Plate	1	2
20		16334	Heel Loop (Pair)	2	1
21		SP1607170	Hdwr., heel strap - Ocean (24") Ergo (XL)	1	2
22		SP1643542	Footrest cpl., Right - Ocean (XL) / VIP / Ocean Ergo Series	1	1
23		SP1607765	Frame Plug - Ocean (Dual-)VIP Ergo	1	4
24		SP1607628	Caster 5" - Ocean Ergo Series	1	3
25		16256	Side Frame Adj. Clip	1	4
26		SP1607741	Caster 5", dir. lock - Ocean Ergo Series	1	1
27		SP1607174	Side Frame cover Hdwr. - Ocean (Dual-)VIP Ergo	1	1
28		SP1607762	Cover, Side Frame outside - Ocean (Dual-)VIP Ergo	1	2
29		SP1607173	Cover, Side Frame inside - Ocean (Dual-)VIP Ergo	1	2
30		SP1607207	Flanged wheels w / . Hdwr. - Ocean (Dual-)VIP Ergo	1	2
31		SP1607761	Side Frame - Ocean (Dual-)VIP Ergo	1	2
33		1542900	Bkrst Hdwr. - Ergo / Ocean (Dual-)VIP / XL	1	1
33		1470693	Armrest assembly, Right	1	1
34		AP1603027	Backrest cover - OceanVIP Ergo	1	1

Accessories OceanErgoVIP Before 02/01/21

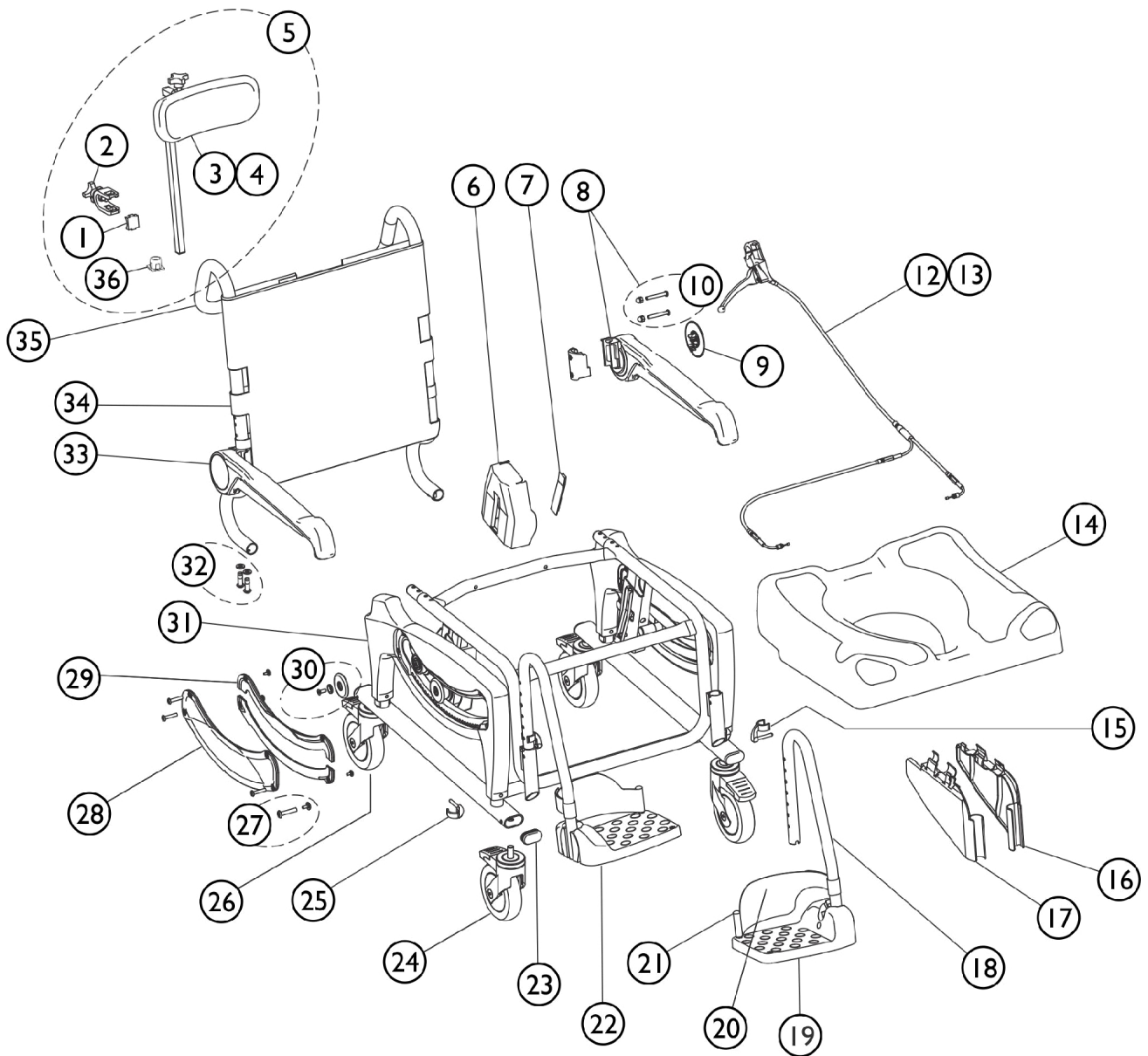


Accessories OceanErgoVIP Before 02/01/21

Item Number	Note	Part Number	Description	Quantity Per	
				Package	Assembly
1		AP1603155	Splash guard - Ocean Ergo Series	1	1
2	B	AP1603142	Standard soft seat - Ocean Ergo Series	1	1
3		AP1603143	Soft seat insert - Ocean Ergo Series	1	1
4	C	AP1603145	Small soft seat - Ocean Ergo Series	1	1
5		AP1603152	Small soft seat insert - Ocean Ergo Series	1	1
6		AP1603154	Universal soft seat - Ocean Ergo Series	1	1
7		AP60121311	Special Soft Seat, Ocean Ergo Series	1	1
8	A	1544469	Variable soft seat cpl. - Ocean / VIP / Ergo Series	1	1
8		1545659	Clip, Variable Softseat	1	1
9		AP1605002	Protection Cvr, Variable soft seat	1	1
10		10167-10	Safety Support Bar	1	1
11		1470078	Safety Support Bar , curved	1	1
12		1470081	Chest Belt Padded w/ Stainless Hardware	1	1
12		1470082	Pelvis Belt Padded w/Stainless Hardware	1	1
13	D	1470077	Armrest lock (pair)	2	1
14		1535077	Back Lateral (EA)	1	1
15		1470086	Armrests, Extra Large (Pair)	2	1
16		AP1643543	Legrest Cpl., right - Ocean / Ocean Ergo Series	1	1
16		AP1643572	Legrest Cpl., left - Ocean / Ocean Ergo Series	1	1
17		AP1643573	Thigh support, right - Ocean / Ocean Ergo Series	1	1
17		AP1643574	Thigh support, left - Ocean / Ocean Ergo Series	1	1
18		AP1603606	Comfort soft backrest - Ocean (Dual-)VIP Ergo	1	1
19		1575299	Ocean Contour Hygienic Fixed Back Support	1	1
20		1558769	Soft cushion w/cover blue - Ocean / Ocean Ergo Series	1	1
21		AP1606976	Reclining backrest - OceanErgoVIP	1	1
22		1531465	Ergonomic headrest pad, small	1	1
23		1531608	Ergonomic headrest pad, large	1	1
24		1531613	Adjustable headrest Bracket	1	1
25		AP1602078	Collection Pan holder - Ocean Ergo Series	1	1
26		10230	Collection Pan with Lid	1	1
27		AP1603992	Front and back anti-tipper - Ocean (Dual-)Vip Ergo	1	1

NOTE: A - It is necessary to use item 9 with Item 8. Item 9 is used to avoid clamping risk to the fingers when using item 8.
 B - Center key shaped oval cut out is used for standard adult size individual. 11-13/16" is the approximate widest width of the oval cut out.
 C - Center key shaped oval cut out is used for smaller and young adults. 9-13/16" is the approximate widest width of the oval cut out.
 D - Only for Ocean Ergo with XL-armrests (1470086)

Spare parts Ocean ErgoVIP After 01/31/21



SPC_096A

Spare parts Ocean ErgoVIP After 01/31/21

Item Number	Note	Part Number	Description	Quantity Per	
				Package	Assembly
1		1514509	Clamp, Headrest	1	1
2		1470971	Holder, Headrest	1	1
3		1470700	Headrest Assembly without Bracket	1	1
4		SP1607172	Headrest Pad w / screws - Ocean (Dual-)VIP Ergo	1	1
5		1470790	Headrest, Complete	1	1
6		SP1607763	Brake cover - Ocean (Dual-)VIP Ergo	1	2
7		SP1607764	Brake lever cover - Ocean (Dual-)VIP Ergo	1	2
8	A	SP1647584	Armrest Assembly 2.0 w/ Hardware, Left	1	1
9		SP1643752	Cover, Armrest 2.0	1	2
10		SP1647608	Screws (Set) for Armrest 2.0	1	2
12		SP1607176	Bowden cable w/o lever	1	1
13		SP1607744	Bowden cable w / lever	1	1
14		SP1607743	Seat plate - Ocean Ergo Series	1	1
15		SP1607742	Clip, footrest - Ocean Ergo Series	1	2
16		SP1607003	Clamping protection cover left - Ocean (Dual-)VIP Ergo	1	1
17		SP1607807	Clamping protection cover right - Ocean (Dual-)VIP Ergo	1	1
18		SP1643541	Footrest cpl., Left - Ocean (XL) / (Dual-)VIP / Ocean Ergo Series	1	1
19		1470689	Footrest Plate	1	2
20		16334	Heel Loop (Pair)	2	1
21		SP1607170	Hdwr., heel strap - Ocean (24") Ergo (XL)	1	2
22		SP1643542	Footrest cpl., Right - Ocean (XL) / VIP / Ocean Ergo Series	1	1
23		SP1607765	Frame Plug - Ocean (Dual-)VIP Ergo	1	4
24		SP1607628	Caster 5" - Ocean Ergo Series	1	3
25		16256	Side Frame Adj. Clip	1	4
26		SP1607741	Caster 5", dir. lock - Ocean Ergo Series	1	1
27		SP1607174	Side Frame cover Hdwr. - Ocean (Dual-)VIP Ergo	1	1
28		SP1607762	Cover, Side Frame outside - Ocean (Dual-)VIP Ergo	1	2
29		SP1607173	Cover, Side Frame inside - Ocean (Dual-)VIP Ergo	1	2
30		SP1607207	Flanged wheels w / Hdwr. - Ocean (Dual-)VIP Ergo	1	2
31		SP1607761	Side Frame - Ocean (Dual-)VIP Ergo	1	2
32		1542900	Bkrst Hdwr. - Ergo / Ocean (Dual-)VIP / XL	1	1
33	A	SP1647583	Armrest Assembly 2.0 w/ Hardware, Right	1	1
34		AP1603027	Backrest cover - OceanVIP Ergo	1	1
35		AP1606985	Backrest tube only -Ocean VIP Ergo (separate order needed for armrest, backrest cover, headrest)	1	1
NOTE: A - Armrest 2.0 implementation Serial #21BVP300066 for models w/o Caster Directional Lock and 21BVP310316 w/ Caster Directional Lock.					
Item numbers not listed are non-saleable.					

Accessories OceanErgoVIP After 01/31/21



Accessories OceanErgoVIP After 01/31/21

Item Number	Note	Part Number	Description	Quantity Per	
				Package	Assembly
1		AP1603155	Splash guard - Ocean Ergo Series	1	1
2	A	AP1603142	Standard soft seat - Ocean Ergo Series	1	1
3		AP1603143	Soft seat insert - Ocean Ergo Series	1	1
4	B	AP1603145	Small soft seat - Ocean Ergo Series	1	1
5		AP1603152	Small soft seat insert - Ocean Ergo Series	1	1
6		AP1603154	Universal soft seat - Ocean Ergo Series	1	1
7		AP60121311	Special Soft Seat, Ocean Ergo Series	1	1
8		AP1605002	Protection Cvr, Variable soft seat	1	1
9	D	1544469	Variable soft seat cpl. - Ocean / VIP / Ergo Series	1	1
9		1545659	Clip, Variable Softseat	1	2
10		AP60123732	Safety Bar 2.0 (for armrest 2.0)	1	1
10		1470078	Safety Support Bar , curved	1	1
11		AP1643760	Safety Lock, 2.0 (1 lock) (for armrest 2.0)	1	2
12		1470081	Chest Belt Padded w/ Stainless Hardware	1	1
12		1470082	Pelvis Belt Padded w/Stainless Hardware	1	1
13		1535077	Back Lateral (EA)	1	2
14	E	1470077	Armrest lock (pair)	2	1
15		1470086	Armrests, Extra Large (Pair)	2	1
16		AP1643543	Legrest Cpl., right - Ocean / Ocean Ergo Series	1	1
16		AP1643572	Legrest Cpl., left - Ocean / Ocean Ergo Series	1	1
17		AP1643573	Thigh support, right - Ocean / Ocean Ergo Series	1	1
17		AP1643574	Thigh support, left - Ocean / Ocean Ergo Series	1	1
18		AP1603606	Comfort soft backrest - Ocean (Dual-)VIP Ergo	1	1
19		1575299	Ocean Contour Hygienic Fixed Back Support	1	1
20		1558769	Soft cushion w/cover blue - Ocean / Ocean Ergo Series	1	1
21		AP1606976	Reclining backrest - OceanErgoVIP	1	1
22		1531465	Ergonomic headrest pad, small	1	1
23		1531608	Ergonomic headrest pad, large	1	1
24		1531613	Adjustable headrest Bracket	1	1
25		AP1643748	Armrest Pad, 2.0 (1 Pad)	1	2
26		AP1602078	Collection Pan holder - Ocean Ergo Series	1	1
27		10230	Collection Pan with Lid	1	1
28		AP1603992	Front and back anti-tipper - Ocean (Dual-)Vip Ergo	1	1
29	C	AP60129156	Tilt Stopper Screw Set	1	1

NOTE: A - Center key shaped oval cut out is used for standard adult size individual. 11-13/16" is the approximate widest width of the oval cut out.
 B - Center key shaped oval cut out is used for smaller and young adults. 9-13/16" is the approximate widest width of the oval cut out.
 C - Tilt Stopper implementation Serial #21DVP300001 for models w/o Caster Directional Lock and 21DVP310001 w/ Caster Directional Lock.
 D - It is necessary to use item 8 with Item 9. Item 8 is used to avoid clamping risk to the fingers when using item 9.
 E - Only for Ocean Ergo with XL-armrests (1470086)

Invacare Canada LP

www.invacare.ca



Yes, you can.

570 Matheson Blvd E;8
Mississauga, Ontario,
L4Z 4G4 Canada
800-668-5324

Technical Support
8006685324 x2655
Customer Service
800-668-5324

Literature
800-668-5324
or www.invacare.ca

© 2022 All rights reserved. Trademarks are identified by the symbols TM, SM and ©. All trademarks are owned by or licensed to Invacare Corporation unless otherwise noted. Specifications are subject to change without notification.
(Revised 10/25/22)

Form No. 19_416C