

**Aquatec® Ocean ErgoSP/SPXL
Shower Commode
Canada**



Yes, you can.

Parts Catalogue Usage Guide

The information contained in this document is subject to change without notice. This catalogue contains service parts for Form No. 19_415C. If you have any questions regarding this catalogue, please contact one of our Customer Service Representatives.

For Customer Service Support Call:

1-800-668-5324 or 1-905-890-8300

For Faxed In Orders Call:

1-800-668-5478 or

1-905-890-5244

For Technical Service Call:

1-800-668-5324 x2655

For Orders:

canadaorders@invacare.com

Literature: www.invacare.ca or 1-800-668-5324

SYMBOL DEFINITION

Throughout this catalog you will notice letters to draw your attention to specific footnotes which are located at the bottom of the page or below specified charts.

Examples:

A,B,C etc. = Special Comments

NOTE: = General information pertaining to that specific page

NLA = No Longer Available

HARDWARE MEASUREMENTS

The measurements for the hardware will be listed as follows:

Screws, Bolts Diameter X Thread Count/Pitch X Length

Washers Inside Diameter X Outside Diameter X Thickness

Spacers Inside Diameter X Outside Diameter X Length

For your convenience, we have supplied an area for you to list your Invacare Representatives.

Name	Phone Numbers

© 2022 Invacare Corporation, Elyria, Ohio. Invacare, the Medallion Design and Yes, you can. are registered trademarks of the Invacare Corporation. Information is subject to change without notification.

TABLE of CONTENTS

Description	Page Number
Accessories Ocean ErgoSP/(SPXL) After 01/31/21	10
Accessories Ocean ErgoSP/(SPXL) Before 02/01/21	6
General Information	3
Spare parts Ocean ErgoSP/(SPXL) After 01/31/21	8
Spare parts Ocean ErgoSP/(SPXL) Before 02/01/21	4

General Information



Yes, you can.®

General Information

For any order of spare parts the following information is required:

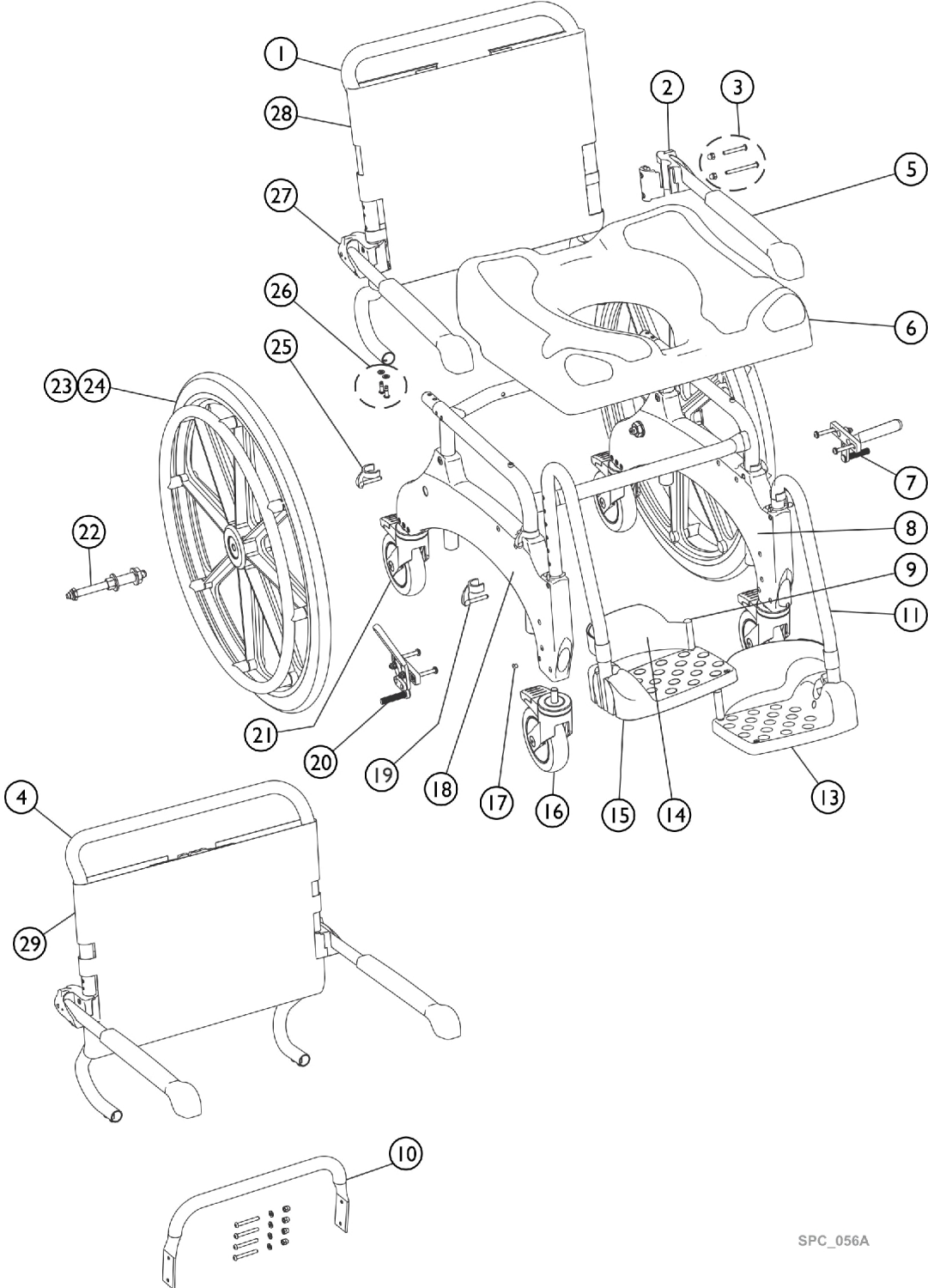
- Product type
- Product name & model
- Serial Number
- Part Number
- Part-Description

Exploded view drawings and code numbers are not contractual and subject to modification, in relation to Invacare® continuous product improvement policy to meet end users needs.

The reproduction or use of this work, or any substantial part of this work, in any form or by any electronic, mechanical or other means, including photocopying, scanning, and recording, and in any information storage and retrieval system, including electronic transmission, is forbidden without the prior written permission of Invacare® International Sarl.

SPC_058A

Spare parts Ocean ErgoSP/(SPXL) Before 02/01/21

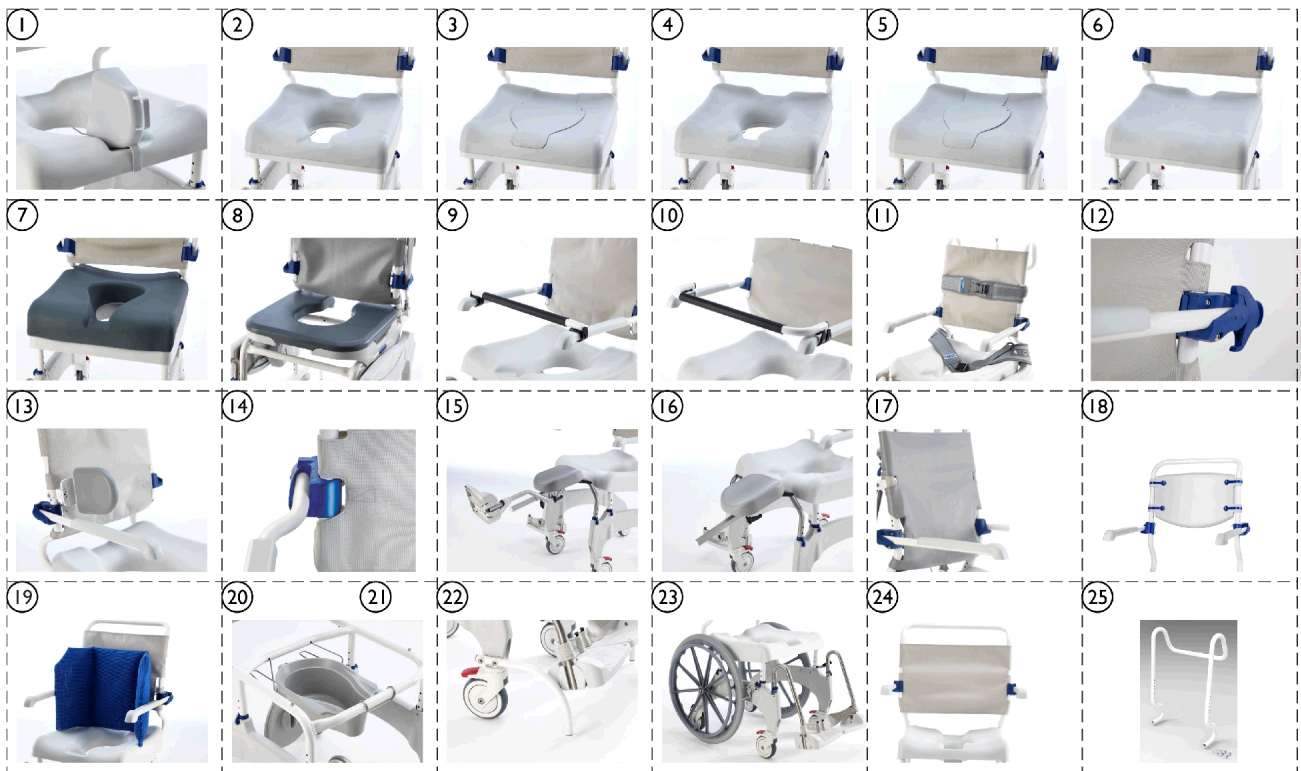


SPC_056A

Spare parts Ocean ErgoSP/(SPXL) Before 02/01/21

Item Number	Note	Part Number	Description	Quantity Per	
				Package	Assembly
1		SP1607166	Backrest w/o arm. / Hdwr. - Ocean (24") Ergo	1	1
2		1470694	Armrest Assembly Left	1	1
3		1471052	Ocean Armrest Kit Parts	1	2
4		SP1607167	Backrest XL w/o arm. / Hdwr. - Ocean (24") Ergo XL Armrest	1	1
5		16472	Armrest Pads Incl. Screws Kit	1	2
6		SP1607743	Seat plate - Ocean Ergo Series	1	1
7		16339	Lt. Brk. Lever - Ocean / Ergo Commodes	1	1
8		SP1607371	Side Frame w / 5" Casters - Ocean (24") Ergo (XL)	1	1
9		SP1607170	Hdwr., heel strap - Ocean (24") Ergo (XL)	1	2
10		SP1607168	Base stabilizer bar w / Hdwr. - Ocean (24") Ergo XL Footrest cpl.,	1	1
11		SP1643541	Footrest cpl., Left - Ocean (XL) / (Dual-)VIP / Ocean Ergo Series	1	1
13		1470689	Footrest Plate	1	2
14		16334	Heel Loop (Pair)	2	1
15		SP1643542	Footrest cpl., Right - Ocean (XL) / VIP / Ocean Ergo Series	1	1
16		SP1607628	Caster 5" - Ocean Ergo Series	1	4
17		SP1607169	Plugs, Side Frame - Ocean (24") Ergo (XL)	1	1
18		SP1607546	Side Frame w / 5" Dir. Caster - Ocean (24") Ergo (XL)	1	1
19		SP1607742	Clip, footrest - Ocean Ergo Series	1	2
20		16340	Rt. Brk. Lever Ocean / Ergo Commodes	1	1
21		SP1607741	Caster 5", dir. lock - Ocean Ergo Series	1	1
22		16418	Cpl Set Hub and QR Axle (16338 and 16337)	1	1
23		16336	24 In Wheel W / Handrim for Ocean/Ergo SP	1	2
24		16379	Self Propelling Wheels Kit complete including brakes	1	1
25		16256	Side Frame Adj. Clip	1	4
26		1542900	Bkrst Hdwr. - Ergo / Ocean (Dual-)VIP / XL	1	1
27		1470693	Armrest assembly, Right	1	1
28		AP1603031	Backrest Cover - Ocean Ergo/ SP	1	1
29		AP1603577	Backrest Cover - Ocean Ergo XL/ SPXL	1	1

Accessories Ocean ErgoSP/(SPXL) Before 02/01/21



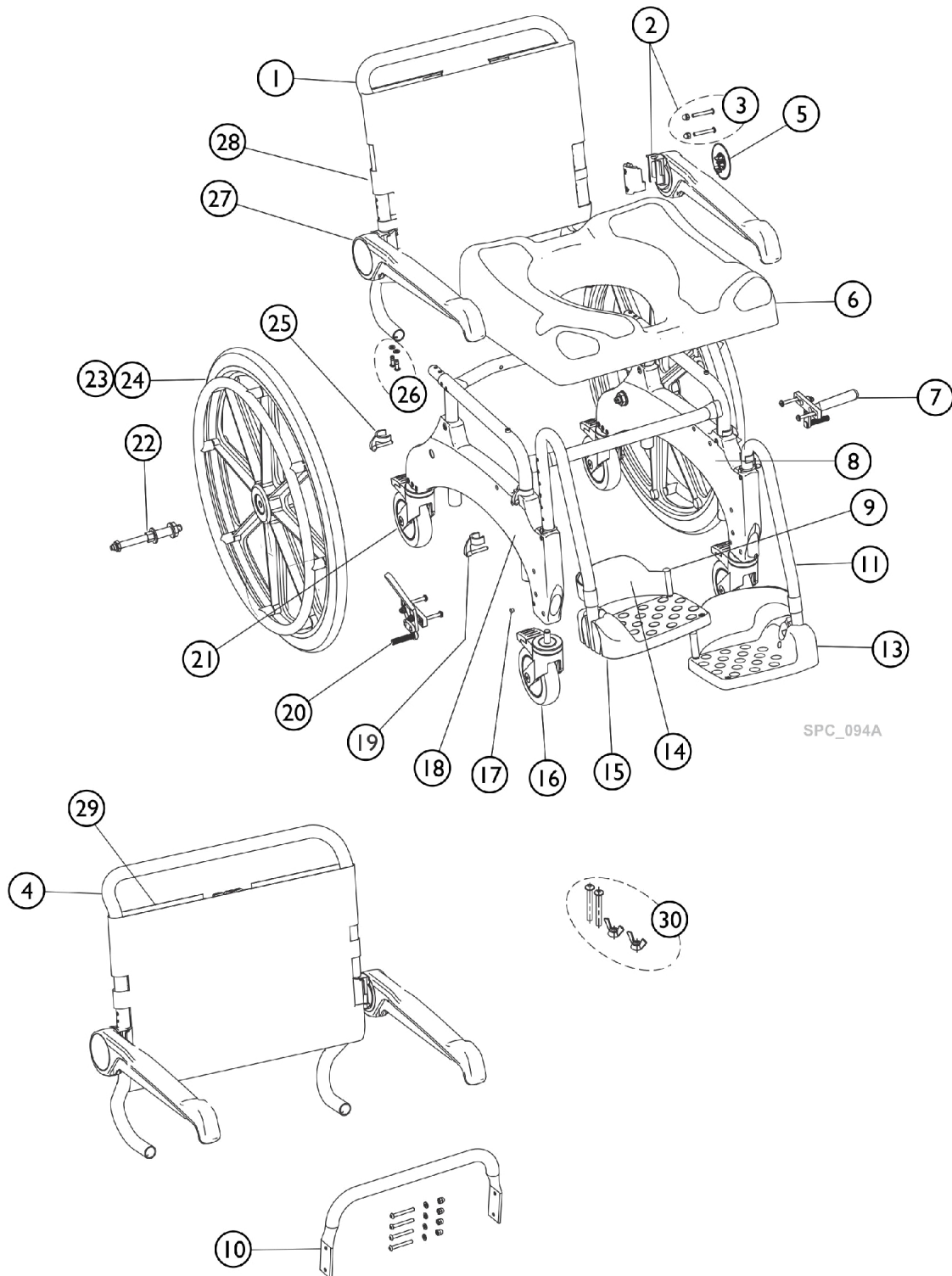
SPC_053A

Accessories Ocean ErgoSP/(SPXL) Before 02/01/21

Item Number	Note	Part Number	Description	Quantity Per	
				Package	Assembly
1		AP1603155	Splash guard - Ocean Ergo Series	1	1
2	A	AP1603142	Standard soft seat - Ocean Ergo Series	1	1
3		AP1603143	Soft seat insert - Ocean Ergo Series	1	1
4	B	AP1603145	Small soft seat - Ocean Ergo Series	1	1
5		AP1603152	Small soft seat insert - Ocean Ergo Series	1	1
6		AP1603154	Universal soft seat - Ocean Ergo Series	1	1
7		AP60121311	Special Soft Seat, Ocean Ergo Series	1	1
8		1544469	Variable soft seat cpl. - Ocean / VIP / Ergo Series	1	1
8		1545659	Clip, Variable Softseat	1	2
9		10167-10	Safety Support Bar	1	1
10		1470078	Safety Support Bar , curved	1	1
11		1470081	Chest Belt Padded w/ Stainless Hardware	1	1
11		1470082	Pelvis Belt Padded w/Stainless Hardware	1	1
12	C	1470077	Armrest lock (pair)	2	1
13		1535077	Back Lateral (EA)	1	1
14		1470086	Armrests, Extra Large (Pair)	2	1
15		AP1643543	Legrest Cpl., right - Ocean / Ocean Ergo Series	1	1
15		AP1643572	Legrest Cpl., left - Ocean / Ocean Ergo Series	1	1
16		AP1643573	Thigh support, right - Ocean / Ocean Ergo Series	1	1
16		AP1643574	Thigh support, left - Ocean / Ocean Ergo Series	1	1
17		AP1604136	Comfort soft backrest - Ocean (24") Ergo	1	1
17		AP1604016	Comfort soft backrest - Ocean (24") Ergo XL	1	1
18		1575299	Ocean Contour Hygienic Fixed Back Support	1	1
19		1558769	Soft cushion w/cover blue - Ocean / Ocean Ergo Series	1	1
20		AP1602078	Collection Pan holder - Ocean Ergo Series	1	1
21		10230	Collection Pan with Lid	1	1
22		AP1601986	Front anti-tipper - Ocean (24") Ergo (XL)	1	1
23		16379	Self Propelling Wheels Kit complete including brakes	1	1
24		AP1604015	XL backrest kit - Ocean (24") Ergo	1	1
25		AP1606985	Backrest tube only -Ocean VIP Ergo (separate order needed for armrest, backrest cover, headrest)	1	1

NOTE: A - Center key shaped oval cut out is used for standard adult size individual. 11-13/16" is the approximate widest width of the oval cut out.
 B - Center key shaped oval cut out is used for smaller and young adults. 9-13/16" is the approximate widest width of the oval cut out.
 C - Only for Ocean Ergo with XL-armrests (1470086)

Spare parts Ocean ErgoSP/(SPXL) After 01/31/21



Spare parts Ocean ErgoSP/(SPXL) After 01/31/21

Item Number	Note	Part Number	Description	Quantity Per	
				Package	Assembly
1		SP1607166	Backrest w/o arm. / Hdwr. - Ocean (24") Ergo	1	1
2	A,B	SP1647584	Armrest Assembly 2.0 w/ Hardware, Left	1	1
3		SP1647608	Screws (Set) for Armrest 2.0	1	2
4		SP1607167	Backrest XL w/o arm. / Hdwr. - Ocean (24") Ergo XL Armrest	1	1
5		SP1643752	Cover, Armrest 2.0	1	2
6		SP1607743	Seat plate - Ocean Ergo Series	1	1
7		16339	Lt. Brk. Lever - Ocean / Ergo Commodes	1	1
8		SP1607371	Side Frame w / 5" Casters - Ocean (24") Ergo (XL)	1	1
9		SP1607170	Hdwr., heel strap - Ocean (24") Ergo (XL)	1	2
10		SP1607168	Base stabilizer bar w / Hdwr. - Ocean (24") Ergo XL Footrest cpl.,	1	1
11		SP1643541	Footrest cpl., Left - Ocean (XL) / (Dual-)VIP / Ocean Ergo Series	1	1
13		1470689	Footrest Plate	1	2
14		16334	Heel Loop (Pair)	2	1
15		SP1643542	Footrest cpl., Right - Ocean (XL) / VIP / Ocean Ergo Series	1	1
16		SP1607628	Caster 5" - Ocean Ergo Series	1	4
17		SP1607169	Plugs, Side Frame - Ocean (24") Ergo (XL)	1	1
18		SP1607546	Side Frame w / 5" Dir. Caster - Ocean (24") Ergo (XL)	1	1
19		SP1607742	Clip, footrest - Ocean Ergo Series	1	2
20		16340	Rt. Brk. Lever Ocean / Ergo Commodes	1	1
21		SP1607741	Caster 5", dir. lock - Ocean Ergo Series	1	1
22		16418	Cpl Set Hub and QR Axle (16338 and 16337)	1	1
23		16336	24 In Wheel W / Handrim for Ocean/Ergo SP	1	2
24		16379	Self Propelling Wheels Kit complete including brakes	1	1
25		16256	Side Frame Adj. Clip	1	4
26		1542900	Bkrst Hdwr. - Ergo / Ocean (Dual-)VIP / XL	1	1
27	A,B	SP1647583	Armrest Assembly 2.0 w/ Hardware, Right	1	1
28		AP1603031	Backrest Cover - Ocean Ergo/ SP	1	1
29		AP1603577	Backrest Cover - Ocean Ergo XL/ SPXL	1	1
30	C,D	SP60129114	Seat Height Lowering Screw Set	1	1

NOTE: A - Armrest 2.0 implementation Serial #21BVP100229 for ErgoSP models w/o Caster Directional Lock and 21EVP110000 w/ Caster Directional Lock.
B - Armrest 2.0 implementation Serial #21BVP120021 for ErgoSPXL models w/o Caster Directional Lock and 21EVP130001 w/ Caster Directional Lock.
C - Seat Height Lowering Screw Kit implementation Serial #21FVP100001 for ErgoSP model w/o Caster Directional Lock and 21EVP110000 w/ Caster Directional Lock.
D - Seat Height Lowering Screw Kit implementation Serial #21FVP120001 for ErgoSPXL model w/o Caster Directional Lock and 21FVP130001 w/ Caster Directional Lock.

Accessories Ocean ErgoSP/(SPXL) After 01/31/21

Item numbers not listed are non-saleable.



Accessories Ocean ErgoSP/(SPXL) After 01/31/21

Item numbers not listed are non-saleable.

Item Number	Note	Part Number	Description	Quantity Per	
				Package	Assembly
1		AP1603155	Splash guard - Ocean Ergo Series	1	1
2	A	AP1603142	Standard soft seat - Ocean Ergo Series	1	1
3		AP1603143	Soft seat insert - Ocean Ergo Series	1	1
4	B	AP1603145	Small soft seat - Ocean Ergo Series	1	1
5		AP1603152	Small soft seat insert - Ocean Ergo Series	1	1
6		AP1603154	Universal soft seat - Ocean Ergo Series	1	1
7		AP60121311	Special Soft Seat, Ocean Ergo Series	1	1
8		1544469	Variable soft seat cpl. - Ocean / VIP / Ergo Series	1	1
8		1545659	Clip, Variable Softseat	1	2
9		AP60123732	Safety Bar 2.0 (for armrest 2.0)	1	1
9		AP60123771	Safety Bar 2.0 XL (for armrest 2.0)	1	1
9		1470078	Safety Support Bar , curved	1	1
10		AP1643760	Safety Lock, 2.0 (1 lock) (for armrest 2.0)	1	2
11		1470081	Chest Belt Padded w/ Stainless Hardware	1	1
11		1470082	Pelvis Belt Padded w/Stainless Hardware	1	1
12		1535077	Back Lateral (EA)	1	2
13	C	1470077	Armrest lock (pair)	2	1
14		1470086	Armrests, Extra Large (Pair)	2	1
15		AP1643543	Legrest Cpl., right - Ocean / Ocean Ergo Series	1	1
15		AP1643572	Legrest Cpl., left - Ocean / Ocean Ergo Series	1	1
16		AP1643573	Thigh support, right - Ocean / Ocean Ergo Series	1	1
16		AP1643574	Thigh support, left - Ocean / Ocean Ergo Series	1	1
17		AP1604136	Comfort soft backrest - Ocean (24") Ergo	1	1
17		AP1604016	Comfort soft backrest - Ocean (24") Ergo XL	1	1
18		1575299	Ocean Contour Hygienic Fixed Back Support	1	1
19		1558769	Soft cushion w/cover blue - Ocean / Ocean Ergo Series	1	1
20		AP1643748	Armrest Pad, 2.0 (1 Pad)	1	2
21		AP1602078	Collection Pan holder - Ocean Ergo Series	1	1
22		10230	Collection Pan with Lid	1	1
23		AP1601986	Front anti-tipper - Ocean (24") Ergo (XL)	1	1
24		16379	Self Propelling Wheels Kit complete including brakes	1	1
25		AP1604015	XL backrest kit - Ocean (24") Ergo	1	1
26		AP1606985	Backrest tube only -Ocean VIP Ergo (separate order needed for armrest, backrest cover, headrest)	1	1

NOTE: A - Center key shaped oval cut out is used for standard adult size individual. 11-13/16" is the approximate widest width of the oval cut out.
 B - Center key shaped oval cut out is used for smaller and young adults. 9-13/16" is the approximate widest width of the oval cut out.
 C - Only for Ocean Ergo with XL-armrests (1470086)

Invacare Canada L.P.

www.invacare.ca



Yes, you can.

570 Matheson Blvd E;8
Mississauga, Ontario,
L4Z4G4 Canada
800-668-5324

Technical Support
8006685324 x2655
Customer Service
800-668-5324

Literature
800-668-5324
or www.invacare.ca

© 2022 All rights reserved. Trademarks are identified by the symbols TM, SM and ©. All trademarks are owned by or licensed to Invacare Corporation unless otherwise noted. Specifications are subject to change without notification.
(Revised 10/25/22)

Form No. 19_415C