

**Aquatec® Ocean Ergo Dual-VIP
Shower Commode
United States**



Yes, you can.

Parts Catalog Usage Guide

The information contained in this document is subject to change without notice. This catalog contains service parts for Form No. 19_125. If you have any questions regarding this catalog, please contact one of our Customer Service Representatives.

For Customer Service Support Call:

1-800-333-6900

For Faxed In Orders Call:

1-800-678-4682 or

1-440-366-0709

For Technical Service Call:

1-800-832-4707

Literature Can Be Found at:

www.invacare.com or

1-800-828-6272

SYMBOL DEFINITION

Throughout this catalog you will notice letters to draw your attention to specific footnotes which are located at the bottom of the page or below specified charts.

Examples:

A,B,C etc. = Special Comments

NOTE: = General information pertaining to that specific page

NLA = No Longer Available

HARDWARE MEASUREMENTS

The measurements for the hardware will be listed as follows:

Screws, Bolts Diameter X Thread Count/Pitch X Length

Washers Inside Diameter X Outside Diameter X Thickness

Spacers Inside Diameter X Outside Diameter X Length

For your convenience, we have supplied an area for you to list your Invacare Representatives.

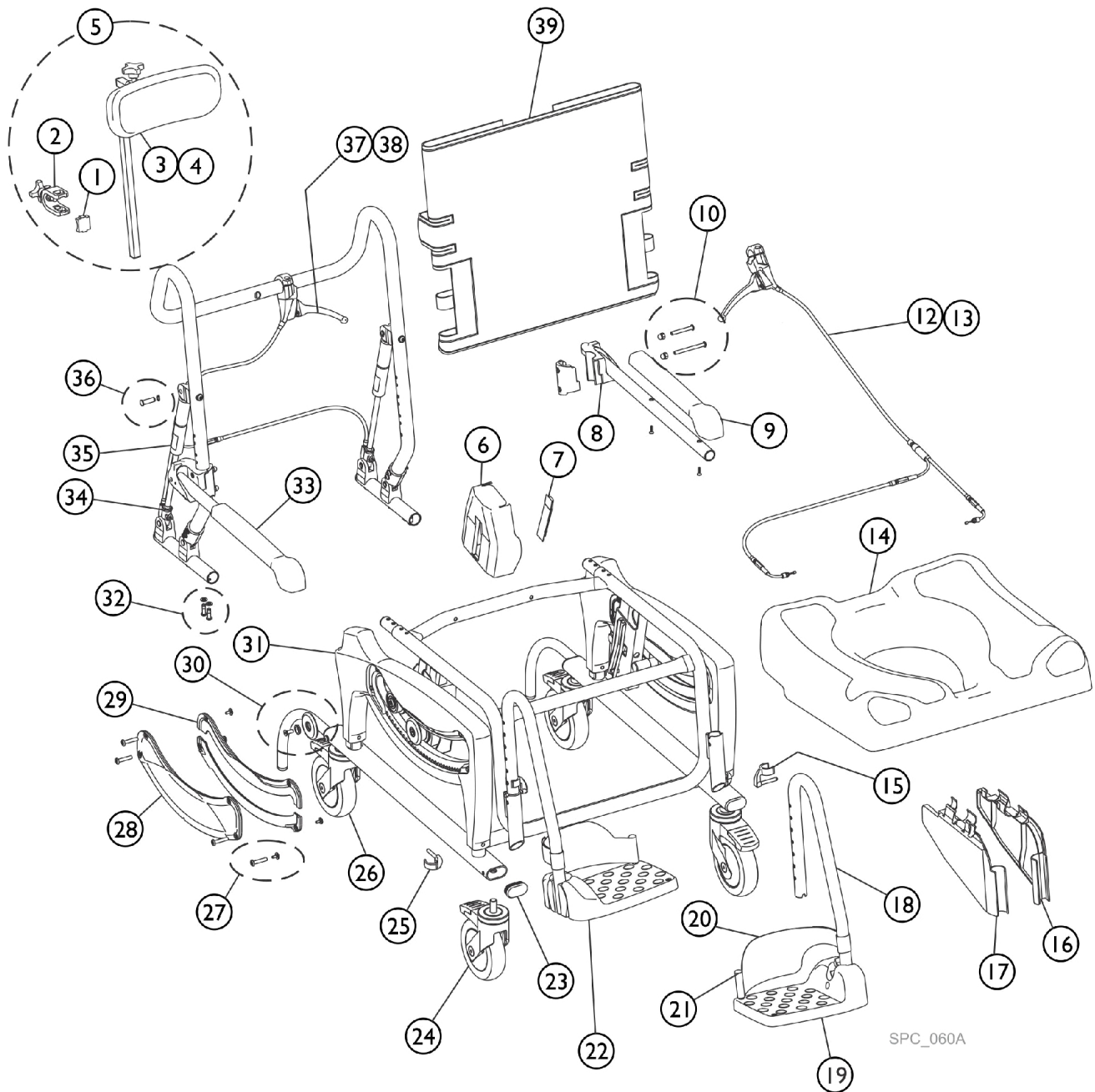
Name	Phone Numbers

© 2022 Invacare Corporation, Elyria, Ohio. Invacare, the Medallion Design and Yes, you can. are registered trademarks of the Invacare Corporation. Information is subject to change without notification.

TABLE of CONTENTS

Description	Page Number
Accessories Ocean Dual-VIP Ergo After 01/31/21	9
Accessories Ocean Dual-VIP Ergo Before 02/01/21	5
Spare Parts Ocean Dual-VIP Ergo After 01/31/21	7
Spare Parts Ocean Dual-VIP Ergo Before 02/01/21	3

Spare Parts Ocean Dual-VIP Ergo Before 02/01/21



Spare Parts Ocean Dual-VIP Ergo Before 02/01/21

Item Number	Note	Part Number	Description	Quantity Per	
				Package	Assembly
1		1514509	Clamp, Headrest	1	1
2		1470971	Holder, Headrest	1	1
3		1470700	Headrest Assembly without Bracket	1	1
4		SP1607172	Headrest Pad w / screws - Ocean (Dual-)VIP Ergo	1	1
5		1470790	Headrest, Complete	1	1
6		SP1607763	Brake cover - Ocean (Dual-)VIP Ergo	1	2
7		SP1607764	Brake lever cover - Ocean (Dual-)VIP Ergo	1	2
8		1470694	Armrest Assembly Left	1	1
9		16472	Armrest Pads Incl. Screws Kit	1	2
10		1471052	Ocean Armrest Kit Parts	1	2
12		SP1607176	Bowden cable w/o lever	1	1
13		SP1607744	Bowden cable w / lever	1	1
14		SP1607743	Seat plate - Ocean Ergo Series	1	1
15		SP1607742	Clip, footrest - Ocean Ergo Series	1	2
16		SP1607003	Clamping protection cover left - Ocean (Dual-)VIP Ergo	1	1
17		SP1607807	Clamping protection cover right - Ocean (Dual-)VIP Ergo	1	1
18		SP1643541	Footrest cpl., Left - Ocean (XL) / (Dual-)VIP / Ocean Ergo Series	1	1
19		1470689	Footrest Plate	1	2
20		16334	Heel Loop (Pair)	2	1
21		SP1607170	Hdwr., heel strap - Ocean (24") Ergo (XL)	1	2
22		SP1643542	Footrest cpl., Right - Ocean (XL) / VIP / Ocean Ergo Series	1	1
23		SP1607765	Frame Plug - Ocean (Dual-)VIP Ergo	1	2
24		SP1607628	Caster 5" - Ocean Ergo Series	1	3
25		16256	Side Frame Adj. Clip	1	4
26		SP1607741	Caster 5", dir. lock - Ocean Ergo Series	1	1
27		SP1607174	Side Frame cover Hdwr. - Ocean (Dual-)VIP Ergo	1	1
28		SP1607762	Cover, Side Frame outside - Ocean (Dual-)VIP Ergo	1	2
29		SP1607173	Cover, Side Frame inside - Ocean (Dual-)VIP Ergo	1	2
30		SP1607207	Flanged wheels w / Hdwr. - Ocean (Dual-)VIP Ergo	1	2
31		SP1607761	Side Frame - Ocean (Dual-)VIP Ergo	1	2
32		1542900	Bkrst Hdwr. - Ergo / Ocean (Dual-)VIP / XL	1	1
33		1470693	Armrest assembly, Right	1	1
34		1470703	Mechanism, Release for Gas Spring	1	2
35		1471144	Gas Spring for Reclining Backrest	1	2
36		SP1607175	Assembling Set for Gas Spring	1	2
37		1471141	Activation Handle for Tilt Mechanism, Reclining Backrest	1	1
38		1471142	Bowden Cable for Reclining Backrest	1	1
39		AP1603606	Comfort soft backrest - Ocean (Dual-)VIP Ergo	1	1

Accessories Ocean Dual-VIP Ergo Before 02/01/21



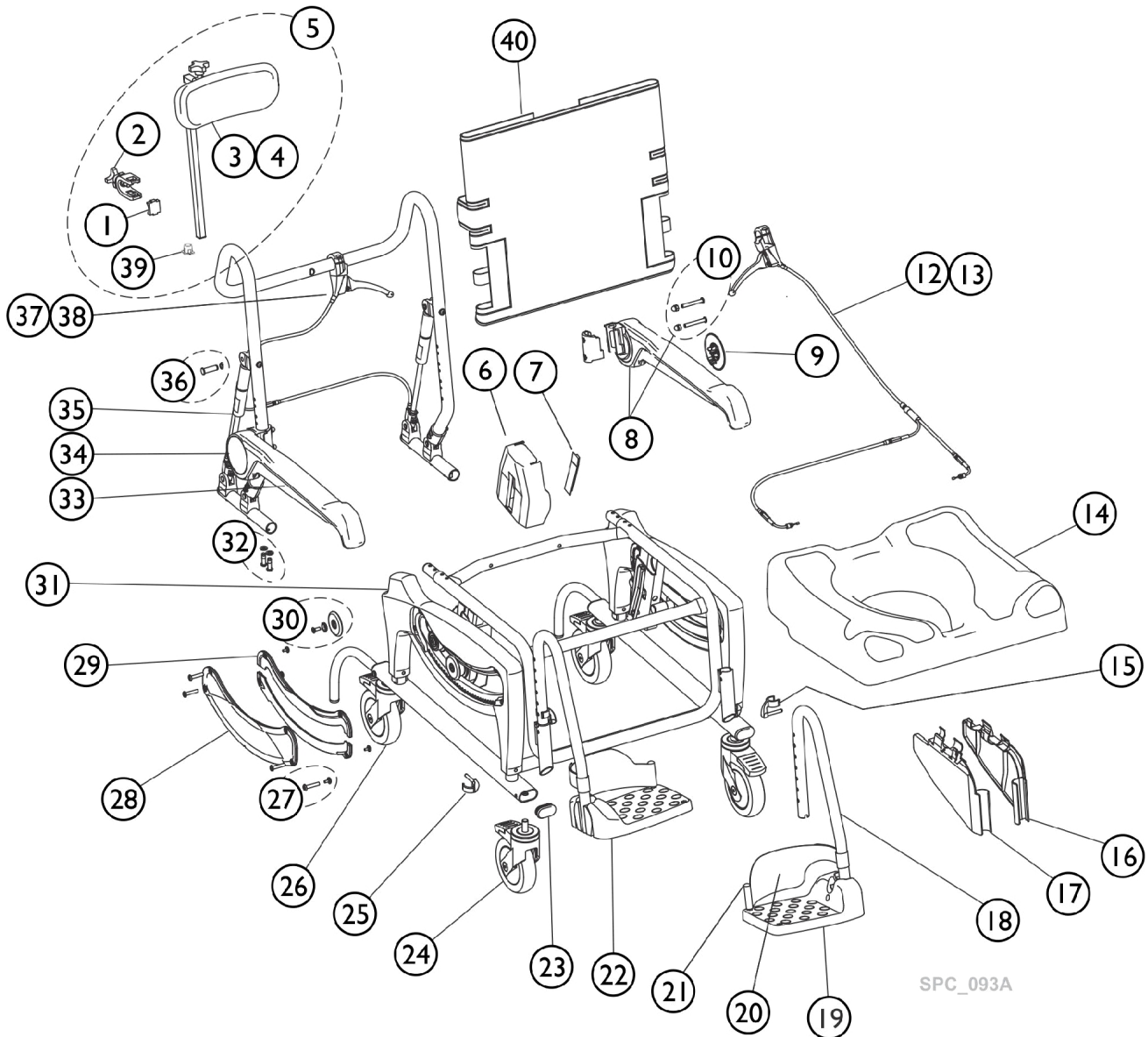
SPC_059A

Accessories Ocean Dual-VIP Ergo Before 02/01/21

Item Number	Note	Part Number	Description	Quantity Per	
				Package	Assembly
1		AP1603155	Splash guard - Ocean Ergo Series	1	1
2	A	AP1603142	Standard soft seat - Ocean Ergo Series	1	1
3		AP1603143	Soft seat insert - Ocean Ergo Series	1	1
4	B	AP1603145	Small soft seat - Ocean Ergo Series	1	1
5		AP1603152	Small soft seat insert - Ocean Ergo Series	1	1
6		1470081	Chest Belt Padded w/ Stainless Hardware	1	1
6		1470082	Pelvis Belt Padded w/Stainless Hardware	1	1
7	C	1470077	Armrest lock (pair)	2	1
8		1535077	Back Lateral (EA)	1	1
9		AP1643543	Legrest Cpl., right - Ocean / Ocean Ergo Series	1	1
9		AP1643572	Legrest Cpl., left - Ocean / Ocean Ergo Series	1	1
10		AP1643573	Thigh support, right - Ocean / Ocean Ergo Series	1	1
10		AP1643574	Thigh support, left - Ocean / Ocean Ergo Series	1	1
10		1546708	Calf Support Pad with Hardware - For Calf and Amputee Support	1	1
10		1546325	Calf Support Pad without Hardware - For Calf and Amputee Support	1	1
10		1563300	Foot Support For Calf Support, Right - For Calf and Amputee Support	1	1
10		1563156	Foot Support For Calf Support, Left - For Calf and Amputee Support	1	1
11		AP1603606	Comfort soft backrest - Ocean (Dual-)VIP Ergo	1	1
12		1558769	Soft cushion w/cover blue - Ocean / Ocean Ergo Series	1	1
13		AP1606976	Reclining backrest - OceanErgoVIP	1	1
14		1531465	Ergonomic headrest pad, small	1	1
15		1531608	Ergonomic headrest pad, large	1	1
16		1531613	Adjustable headrest Bracket	1	1
17		AP1602078	Collection Pan holder - Ocean Ergo Series	1	1
18		10230	Collection Pan with Lid	1	1
19		AP1603992	Front and back anti-tipper - Ocean (Dual-)Vip Ergo	1	1

NOTE: A - Center key shaped oval cut out is used for standard adult size individual. 11-13/16" is the approximate widest width of the oval cut out.
 B - Center key shaped oval cut out is used for smaller and young adults. 9-13/16" is the approximate widest width of the oval cut out.
 C - Only for Ocean Ergo with XL-armrests (1470086)

Spare Parts Ocean Dual-VIP Ergo After 01/31/21

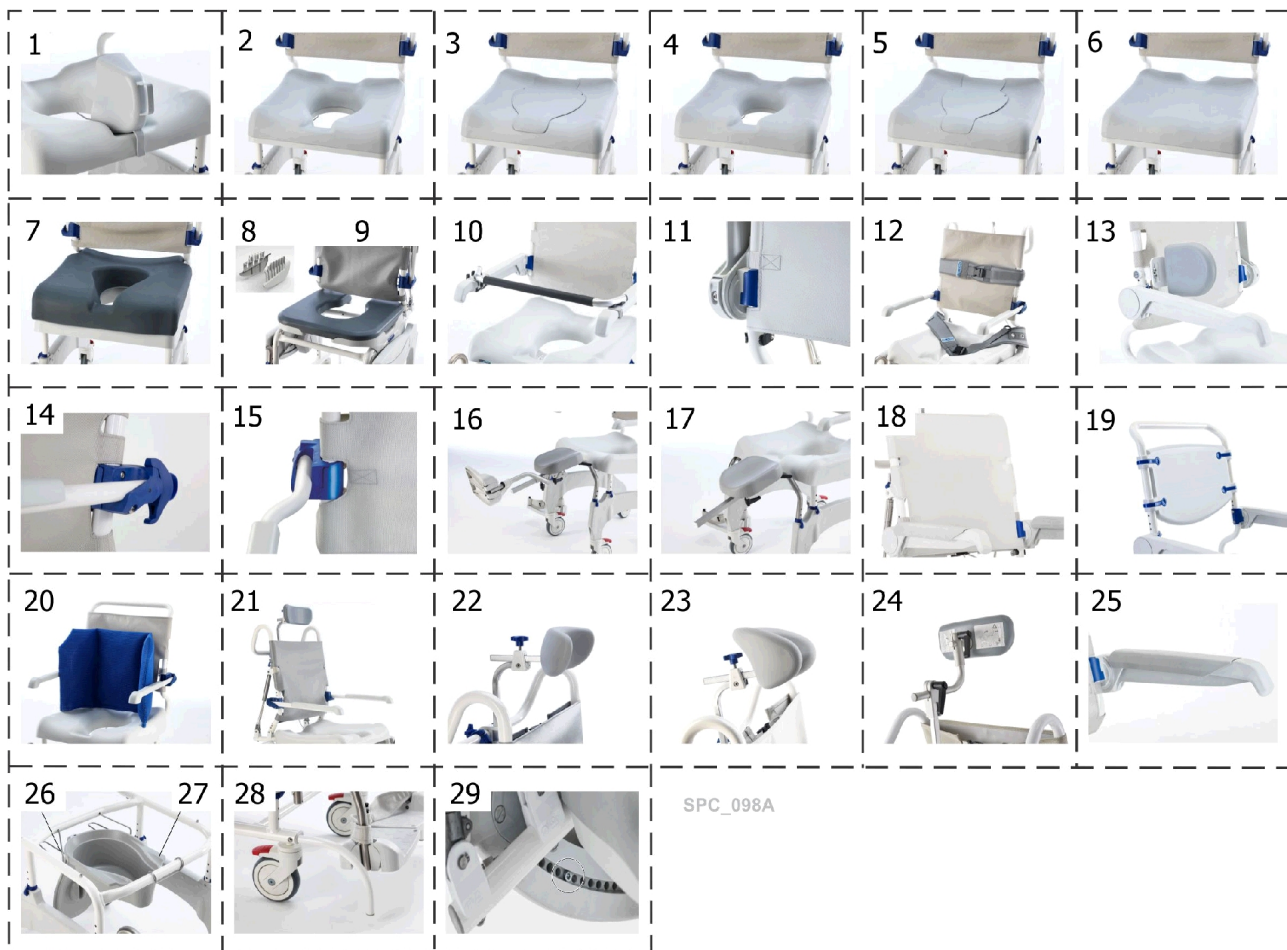


Spare Parts Ocean Dual-VIP Ergo After 01/31/21

Item Number	Note	Part Number	Description	Quantity Per	
				Package	Assembly
1		1514509	Clamp, Headrest	1	1
2		1470971	Holder, Headrest	1	1
3		1470700	Headrest Assembly without Bracket	1	1
4		SP1607172	Headrest Pad w / screws - Ocean (Dual-)VIP Ergo	1	1
5		1470790	Headrest, Complete	1	1
6		SP1607763	Brake cover - Ocean (Dual-)VIP Ergo	1	2
7		SP1607764	Brake lever cover - Ocean (Dual-)VIP Ergo	1	2
9		SP1643752	Cover, Armrest 2.0	1	2
12		SP1607176	Bowden cable w/o lever	1	1
13		SP1607744	Bowden cable w / lever	1	1
14		SP1607743	Seat plate - Ocean Ergo Series	1	1
15		SP1607742	Clip, footrest - Ocean Ergo Series	1	2
16		SP1607003	Clamping protection cover left - Ocean (Dual-)VIP Ergo	1	1
17		SP1607807	Clamping protection cover right - Ocean (Dual-)VIP Ergo	1	1
18		SP1643541	Footrest cpl., Left - Ocean (XL) / (Dual-)VIP / Ocean Ergo Series	1	1
19		1470689	Footrest Plate	1	2
20		16334	Heel Loop (Pair)	2	1
21		SP1607170	Hdwr., heel strap - Ocean (24") Ergo (XL)	1	2
22		SP1643542	Footrest cpl., Right - Ocean (XL) / VIP / Ocean Ergo Series	1	1
23		SP1607765	Frame Plug - Ocean (Dual-)VIP Ergo	1	2
24		SP1607628	Caster 5" - Ocean Ergo Series	1	3
25		16256	Side Frame Adj. Clip	1	4
26		SP1607741	Caster 5", dir. lock - Ocean Ergo Series	1	1
27		SP1607174	Side Frame cover Hdwr. - Ocean (Dual-)VIP Ergo	1	1
28		SP1607762	Cover, Side Frame outside - Ocean (Dual-)VIP Ergo	1	2
29		SP1607173	Cover, Side Frame inside - Ocean (Dual-)VIP Ergo	1	2
30		SP1607207	Flanged wheels w / Hdwr. - Ocean (Dual-)VIP Ergo	1	2
31		SP1607761	Side Frame - Ocean (Dual-)VIP Ergo	1	2
32		1542900	Bkrst Hdwr. - Ergo / Ocean (Dual-)VIP / XL	1	1
34		1470703	Mechanism, Release for Gas Spring	1	2
35		1471144	Gas Spring for Reclining Backrest	1	2
37		1471141	Activation Handle for Tilt Mechanism, Reclining Backrest	1	1
38		1471142	Bowden Cable for Reclining Backrest	1	1
40		AP1603606	Comfort soft backrest - Ocean (Dual-)VIP Ergo	1	1

Item numbers not listed are non-saleable

Accessories Ocean Dual-VIP Ergo After 01/31/21



Accessories Ocean Dual-VIP Ergo After 01/31/21

Item Number	Note	Part Number	Description	Quantity Per	
				Package	Assembly
1		AP1603155	Splash guard - Ocean Ergo Series	1	1
2	A	AP1603142	Standard soft seat - Ocean Ergo Series	1	1
3		AP1603143	Soft seat insert - Ocean Ergo Series	1	1
4	B	AP1603145	Small soft seat - Ocean Ergo Series	1	1
5		AP1603152	Small soft seat insert - Ocean Ergo Series	1	1
6		AP1603154	Universal soft seat - Ocean Ergo Series	1	1
7		AP60121311	Special Soft Seat, Ocean Ergo Series	1	1
8		AP1605002	Protection Cvr, Variable soft seat	1	1
9	D	1544469	Variable soft seat cpl. - Ocean / VIP / Ergo Series	1	1
9		1545659	Clip, Variable Softseat	1	2
10		AP60123732	Safety Bar 2.0 (for armrest 2.0)	1	1
10		1470078	Safety Support Bar , curved	1	1
11		AP1643760	Safety Lock, 2.0 (1 lock) (for armrest 2.0)	1	2
12		1470081	Chest Belt Padded w/ Stainless Hardware	1	1
12		1470082	Pelvis Belt Padded w/Stainless Hardware	1	1
13		1535077	Back Lateral (EA)	1	2
14	E	1470077	Armrest lock (pair)	2	1
15		1470086	Armrests, Extra Large (Pair)	2	1
16		AP1643543	Legrest Cpl., right - Ocean / Ocean Ergo Series	1	1
16		AP1643572	Legrest Cpl., left - Ocean / Ocean Ergo Series	1	1
17		AP1643573	Thigh support, right - Ocean / Ocean Ergo Series	1	1
17		AP1643574	Thigh support, left - Ocean / Ocean Ergo Series	1	1
18		AP1603606	Comfort soft backrest - Ocean (Dual-)VIP Ergo	1	1
19		1575299	Ocean Contour Hygienic Fixed Back Support	1	1
20		1558769	Soft cushion w/cover blue - Ocean / Ocean Ergo Series	1	1
21		AP1606976	Reclining backrest - OceanErgoVIP	1	1
22		1531465	Ergonomic headrest pad, small	1	1
23		1531608	Ergonomic headrest pad, large	1	1
24		1531613	Adjustable headrest Bracket	1	1
25		AP1643748	Armrest Pad, 2.0 (1 Pad)	1	2
26		AP1602078	Collection Pan holder - Ocean Ergo Series	1	1
27		10230	Collection Pan with Lid	1	1
28		AP1603992	Front and back anti-tipper - Ocean (Dual-)Vip Ergo	1	1
29	C	AP60129156	Tilt Stopper Screw Set	1	1

NOTE: A - Center key shaped oval cut out is used for standard adult size individual. 11-13/16" is the approximate widest width of the oval cut out.
 B - Center key shaped oval cut out is used for smaller and young adults. 9-13/16" is the approximate widest width of the oval cut out.
 C - Tilt Stopper implementation Serial #21DVP340001 for models w/o Caster Directional Lock and 21DVP350001 w/ Caster Directional Lock.
 D - It is necessary to use item 8 with Item 9. Item 8 is used to avoid clamping risk to the fingers when using item 9.
 E - Only for Ocean Ergo with XL-armrests (1470086)

Invacare Corporation

www.invacare.com



Yes, you can.

One Invacare Way
Elyria, Oh USA
44036-2125
800-333-6900

Technical Support
800-832-4707
Customer Service
800-333-6900

Literature Orders
800-333-6900

© 2022 Invacare Corporation. All rights reserved. Republication, duplication or modification in whole or in part is prohibited without prior written permission from Invacare. Trademarks are identified by ™ and ®. All trademarks are owned by or licensed to Invacare Corporation or its subsidiaries unless otherwise noted. (Revised 10/25/22)

Form No. 19_125