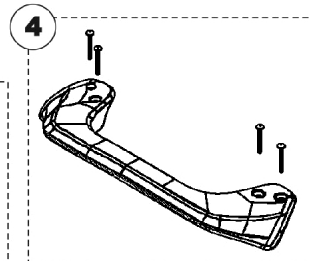
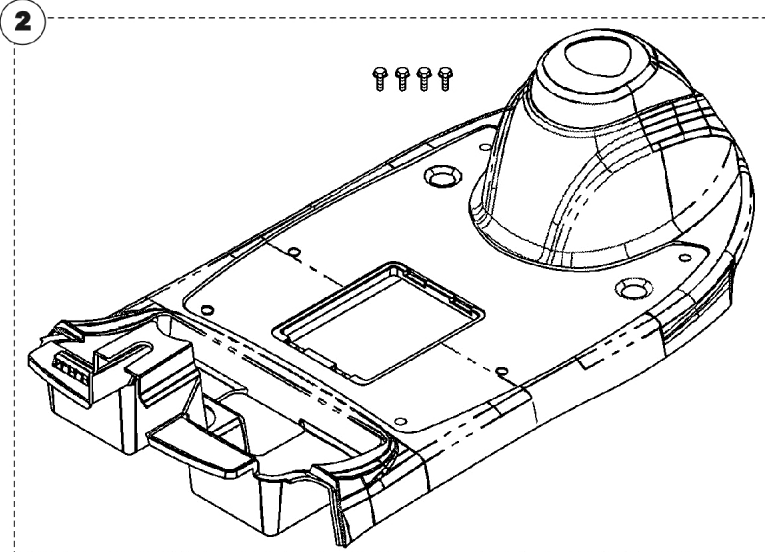
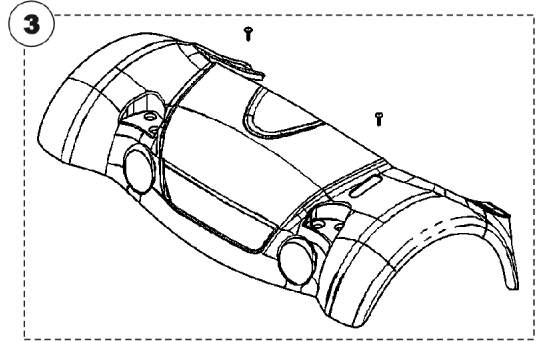
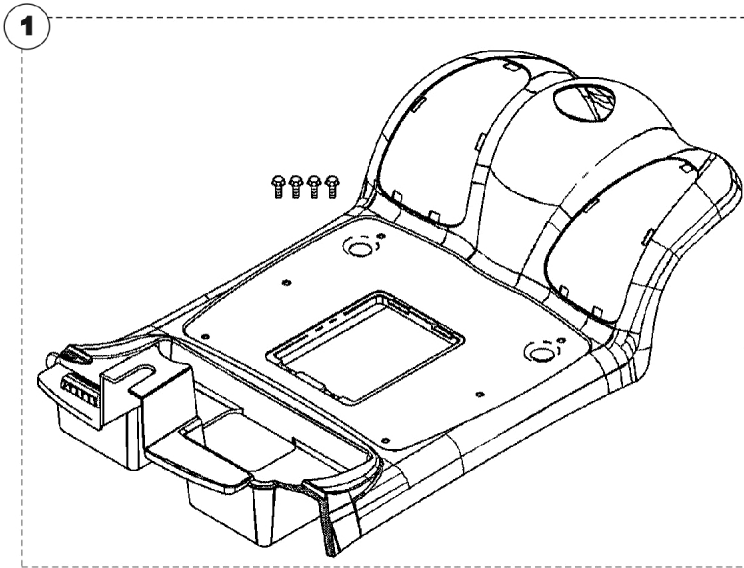


Main & Rear Shrouds

Starting with Serial Number 10BCT600000 (L-3) and 10BCT600248 (L-4), the shade of Blue used on the Shrouds changed from Blue to Onyx Blue. Customers may have to replace all Shrouds with the Onyx Blue Shrouds if color consistency is important.



Main & Rear Shrouds

Starting with Serial Number 10BCT600000 (L-3) and 10BCT600248 (L-4), the shade of Blue used on the Shrouds changed from Blue to Onyx Blue. Customers may have to replace all Shrouds with the Onyx Blue Shrouds if color consistency is important.

Item Number	Note	Part Number	Description	Quantity Per	
				Package	Assembly
1		1144828	Shroud, Main w/ Hardware, Red (L-4)	1	1
1	A	1144829	Shroud, Main w/ Hardware, Blue (L-4)	1	1
1	B	1169664	Shroud, Main w/ Hardware, Onyx Blue (L-4)	1	1
2		1144818	Shroud, Main w/ Hardware, Red (L-3)	1	1
2	A	1144819-NLA	NLA - Shroud, Main w/ Hardware, Blue (L-3)	1	1
2	B	1169662	Shroud, Main w/ Hardware, Onyx Blue (L-3)	1	1
3		1144830	Shroud, Rear w/ Hardware, Red (L-4)	1	1
3	A	1144831-NLA	NLA - Shroud, Rear w/ Hardware, Blue (L-4)	1	1
3	B	1169665	Shroud, Rear w/ Hardware, Onyx Blue (L-4)	1	1
3		1144820	Shroud, Rear w/ Hardware, Red (L-3)	1	1
3	A	1144821	Shroud, Rear w/ Hardware, Blue (L-3)	1	1
3	B	1169663-NLA	NLA - Shroud, Rear w/ Hardware, Onyx Blue (L-3)	1	1
4		1144817-NLA	NLA - Handle, Rear w/ Hardware	1	1

NOTE: A - To be used on scooters built before serial number 10BCT600001(L-3) and 10BCT600249 (L-4).
 B - To be used on scooters built after serial number 10BCT600000 (L-3) and 10BCT600248 (L-4).