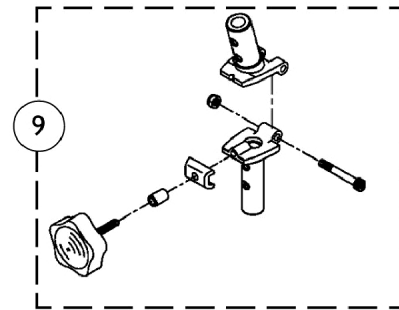
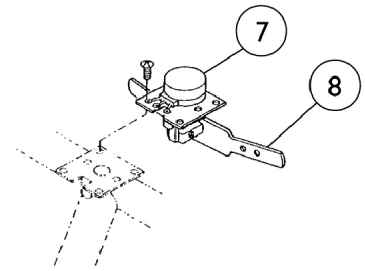
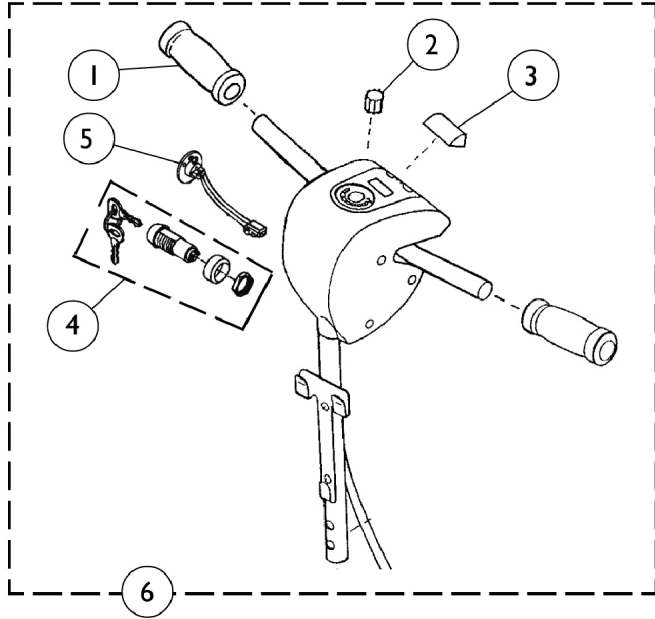


# Tiller Assembly with Harness

## Zoom-3



## Tiller Assembly with Harness Zoom-3

Item Number	Note	Part Number	Description	Quantity Per	
				Package	Assembly
1		1088706-NLA	NLA - Grips, Hand (Pair)	2	1
2	B	1088705-NLA	NLA - Knob, Tiller Speed	1	1
3		1088707-NLA	NLA - Canopy, LED	1	1
4		1102927-NLA	NLA - Key Switch with Keys	1	1
4		1088704-NLA	NLA - Keys Only (Pair)	2	1
5		1091863-NLA	NLA - Charger Port - Lynx SX3P, Panther LX4 and Zoom-3	1	1
6		1105920-NLA	NLA - Tiller Assembly with Harness	1	1
7	C	1101276-NLA	NLA - Potentiometer	1	1
8		1088708-NLA	NLA - Lever, Throttle	1	1
9		1105921-NLA	NLA - Joint Base Assembly	1	1
	A	P755	Extension, Throttle Lever (Pair)	2	1
	A	1097017-NLA	NLA - Kit, Decal w/ Instruction Sheet, Forward/Reverse - Left Hand	1	1
	A	1088794-NLA	NLA - Tiller Hardware - All Models Includes: 2 each Bolt (M6 x 1.0 x 35) 2 each Nut, Self-Lock (6 x 10 x 8) 1 each Washer (8 x 39 x 2) 1 each Washer (8 x 39 x 1.6) 1 each Bolt (M8 x 1.25 x 50) 1 each Washer (8 x 22 x 2) 1 each Nut, Self-Lock (8 x 1.25 x 13)	1	1
NOTE: A - Not Shown B - This Knob is used on all tiller models - it is not shown on some. C - The Throttle Lever is included with this item. If the tiller for this part is for is not a "Delta" tiller, please contact the technical services department for instructions on replacing this item.					