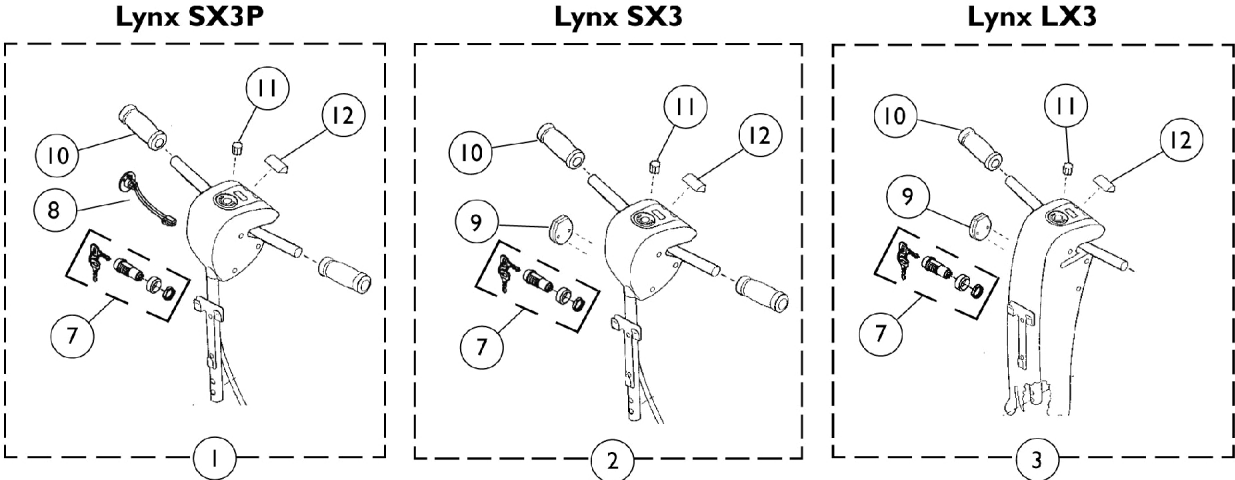
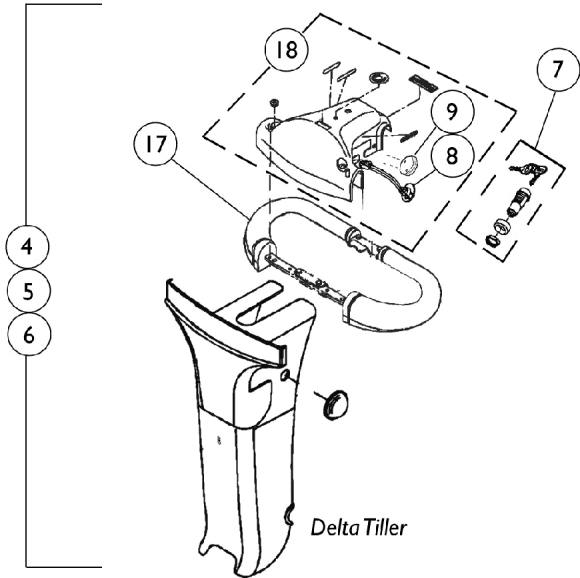


Tiller Assembly with Harness

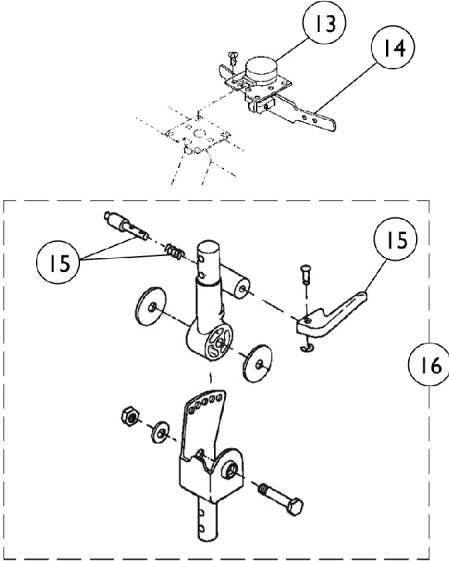
(Manufactured Before 1/02)
Lynx SX3P (After S/N 00F623034)
Lynx LX3 (After S/N 00F622314)
Panther LX4 (After S/N 00F622474)
Panther MX4 (After S/N 00F623494)



Lynx LX3^{Plus}
Panther LX4/MX4



Lynx SX3P/SX3/LX3/LX3^{Plus}
Panther LX4/MX4



Tiller Assembly with Harness
(Manufactured Before 1/02)
Lynx SX3P (After S/N 00F623034)
Lynx LX3 (After S/N 00F622314)
Panther LX4 (After S/N 00F622474)
Panther MX4 (After S/N 00F623494)

| Item Number | Note | Part Number | Description | Quantity Per | |
|-------------|------|-------------|--|--------------|----------|
| | | | | Package | Assembly |
| 1 | | 1102248-NLA | NLA - Tiller Assembly w/ Harness - Lynx SX3P, Taupe | 1 | 1 |
| 2 | A | 1088692-NLA | NLA - Tiller Assembly w/ Harness, Candy Red | 1 | 1 |
| 2 | A | 1088694-NLA | NLA - Tiller Assembly w/ Harness, Deep Blue | 1 | 1 |
| 3 | A | 1088695-NLA | NLA - Tiller Assembly w/ Harness, Candy Red | 1 | 1 |
| 3 | A | 1088696-NLA | NLA - Tiller Assembly w/ Harness, Metallic Green | 1 | 1 |
| 3 | A | 1088697-NLA | NLA - Tiller Assembly w/ Harness, Deep Blue | 1 | 1 |
| 4 | A | 1101272-NLA | NLA - Delta Tiller Assembly w/ Harness, Candy Red - Lynx LX3 Plus | 1 | 1 |
| 4 | A | 1101273-NLA | NLA - Delta Tiller Assembly w/ Harness, Metallic Green - Lynx LX3 Plus | 1 | 1 |
| 4 | A | 1101274-NLA | NLA - Delta Tiller Assembly w/ Harness, Deep Blue - Lynx LX3 Plus | 1 | 1 |
| 4 | A | 1104164-NLA | NLA - Delta Tiller Assembly w/ Harness, Magic Black - Lynx LX3 Plus | 1 | 1 |
| 5 | A | 1102390-NLA | NLA - Delta Tiller Assembly w/ Harness, Candy Red - Panther LX4 | 1 | 1 |
| 5 | A | 1102391-NLA | NLA - Delta Tiller Assembly w/ Harness, Metallic Green - Panther LX4 | 1 | 1 |
| 5 | A | 1102392-NLA | NLA - Delta Tiller Assembly w/ Harness, Deep Blue - Panther LX4 | 1 | 1 |
| 5 | A | 1104165-NLA | NLA - Delta Tiller Assembly w/ Harness, Magic Black - Panther LX4 | 1 | 1 |
| 6 | | 1101278-NLA | NLA - Delta Tiller Assembly w/ Harness, Champagne - Panther MX4 | 1 | 1 |
| 7 | | 1102927-NLA | NLA - Key Switch with Keys | 1 | 1 |
| 7 | | 1088704-NLA | NLA - Keys Only (Pair) | 2 | 1 |
| 8 | | 1091863-NLA | NLA - Charger Port - Lynx SX3P, Panther LX4 and Zoom-3 | 1 | 1 |
| 9 | | 1091862-NLA | NLA - Cover, Charger Port - Lynx SX3/LX3/LX3 Plus and Panther MX4 | 1 | 1 |
| 10 | | 1088706-NLA | NLA - Grips, Hand (Pair) | 2 | 1 |
| 11 | E | 1088705-NLA | NLA - Knob, Tiller Speed | 1 | 1 |
| 12 | | 1088707-NLA | NLA - Canopy, LED | 1 | 1 |
| 13 | F | 1101276-NLA | NLA - Potentiometer | 1 | 1 |
| 14 | | 1088708-NLA | NLA - Lever, Throttle | 1 | 1 |
| 15 | | 1088709-NLA | NLA - Handle, Latch with Spring and Pin | 1 | 1 |
| 16 | | 1099708-NLA | NLA - Swivel Bracket Assembly | 1 | 1 |
| 17 | | 1101275-NLA | NLA - Handle Bar w/ Hardware - LX3Plus, LX4 and MX4 | 1 | 1 |
| 18 | D | 1101271-NLA | NLA - Cover Assembly, Tiller - LX3 Plus (Woodgrain Finish) | 1 | 1 |

**Tiller Assembly with Harness
(Manufactured Before 1/02)
Lynx SX3P (After S/N 00F623034)
Lynx LX3 (After S/N 00F622314)
Panther LX4 (After S/N 00F622474)
Panther MX4 (After S/N 00F623494)**

| Item Number | Note | Part Number | Description | Quantity Per | |
|--|------|-------------|--|--------------|----------|
| | | | | Package | Assembly |
| 18 | D | 1102929-NLA | NLA - Cover Assembly, Tiller - LX3 Plus (Snake Skin Finish) | 1 | 1 |
| 18 | D | 1102393 | Cover Assembly, Tiller - LX4 (Woodgrain Finish) | 1 | 1 |
| 18 | D | 1102930-NLA | NLA - Cover Assembly, Tiller - LX4 (Snake Skin Finish) | 1 | 1 |
| 18 | D | 1101277-NLA | NLA - Cover Assembly, Tiller - MX4 (Woodgrain Finish) | 1 | 1 |
| | C | P755 | Extension, Throttle Lever (Pair) | 2 | 1 |
| | C | 1097017-NLA | NLA - Kit, Decal w/ Instruction Sheet, Forward/Reverse - Left Hand | 1 | 1 |
| | C | 1088794-NLA | NLA - Tiller Hardware - All Models Includes: 2 each Bolt (M6 x 1.0 x 35) 2 each Nut, Self-Lock (6 x 10 x 8) 1 each Washer (8 x 39 x 2) 1 each Washer (8 x 39 x 1.6) 1 each Bolt (M8 x 1.25 x 50) 1 each Washer (8 x 22 x 2) 1 each Nut, Self-Lock (8 x 1.25 x 13) | 1 | 1 |
| NOTE: A - Before 1/02 C - Not Shown D - Old style has charger port on left side with warning label above; new style has black plug button siliconed inside hole. E - This Knob is used on all tiller models - it is not shown on some. F - The Throttle Lever is included with this item. If the tiller for this part is for a "Delta" tiller, please contact the technical services department for instructions on replacing this item. | | | | | |