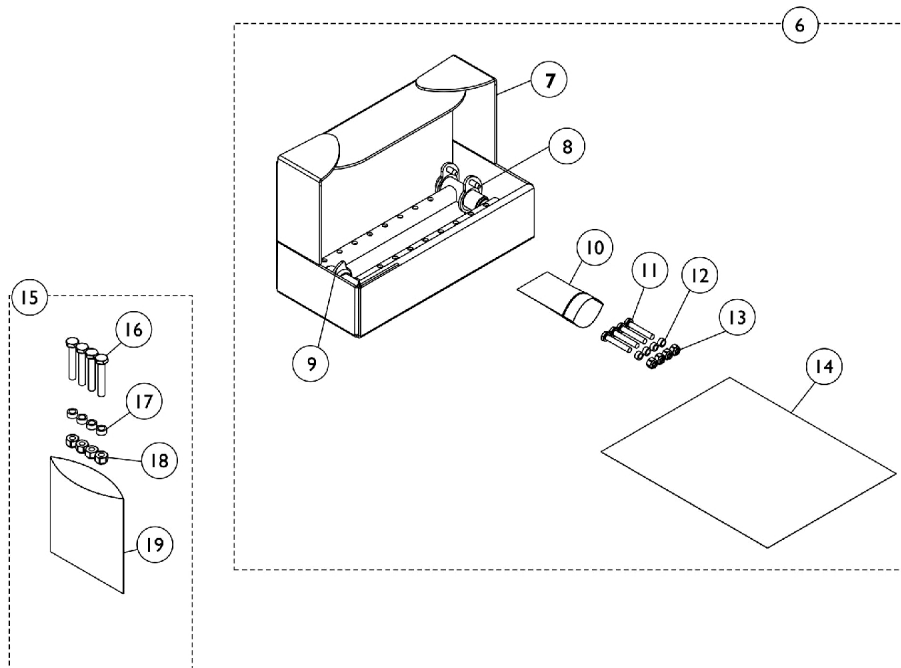
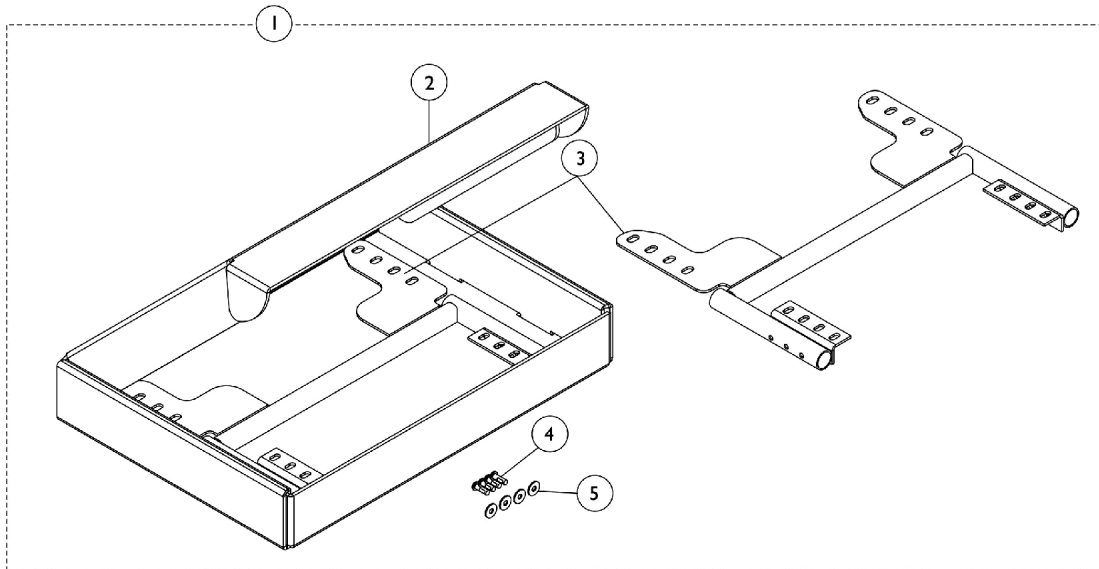


# Front Riggings Hangers Hemi

Front Rigging Hangers for Fold Down Seat are not available.



# Front Riggings Hangers Hemi

Front Rigging Hangers for Fold Down Seat are not available.

Item Number	Note	Part Number	Description	Quantity Per			
				Package	Assembly		
1	A,B,C	1149192	Kit, Front Rigging Seat Support, 18"	1	1		
2			NLA - Carton, Inner	1	1		
3			Bracket, Rigging Hanger Support, Front, Black	1	2		
4			Screw, Socket Button Head w/ Patch (1/4-20 x 3/4")	1	4		
5			Washer (1/4 x 23/32 x 1/16")	1	4		
1	A	1148879	Kit, Front Rigging Seat Support, 20"	1	1		
3			Bracket, Front Rigging Hanger, Black (20")	1	2		
4			Screw, Socket Button Head w/ Patch (1/4-20 x 3/4")	1	4		
5			Washer (1/4 x 23/32 x 1/16")	1	4		
6			D,F	1133009	Kit, Front Rigging Hanger Attachment	1	1
7	NLA - Carton, Inner	1			1		
8	Front Rigging Hanger Assembly w/ Plug Button, Hemi, Black - Left	1			1		
9	Front Rigging Hanger Assembly w/ Plug Button, Hemi, Black - Right	1			1		
10	Bag, Poly Zip-Lip	1			1		
11	Screw, Hex Head (1/4-20 x 1-1/2")	1			4		
12	NLA - Spacer (1/4 x 3/8 x 3/16")	1			4		
13	Locknut (1/4-20)	1			4		
14	NLA - Instruction Sheet, Front Rigging Hanger	1			1		
15	E	1113045			Kit, Front Rigging Hanger Hardware	1	1
16					Screw, Hex Head (1/4-20 x 1-1/2")	1	4
17					NLA - Spacer (1/4 x 3/8 x 3/16")	1	4
18					Locknut (1/4-20)	1	4
19			NLA - Bag, Zip-Lip (4" L x 4" W)	1	1		

NOTE: A - For Office Style Van Seat.  
 B - Items 11-13 can be ordered separately. Order item 15, part no. 1113045.  
 C - Includes items 2-5.  
 D - Includes items 7-14.  
 E - Includes items 16-19.  
 F - Part number 1110523 is no longer available from the Invacare Service Parts Department. Refer to the Invacare Website under "Product Literature Search". Enter the part number in the "Keywords" field and download a free PDF version copy.