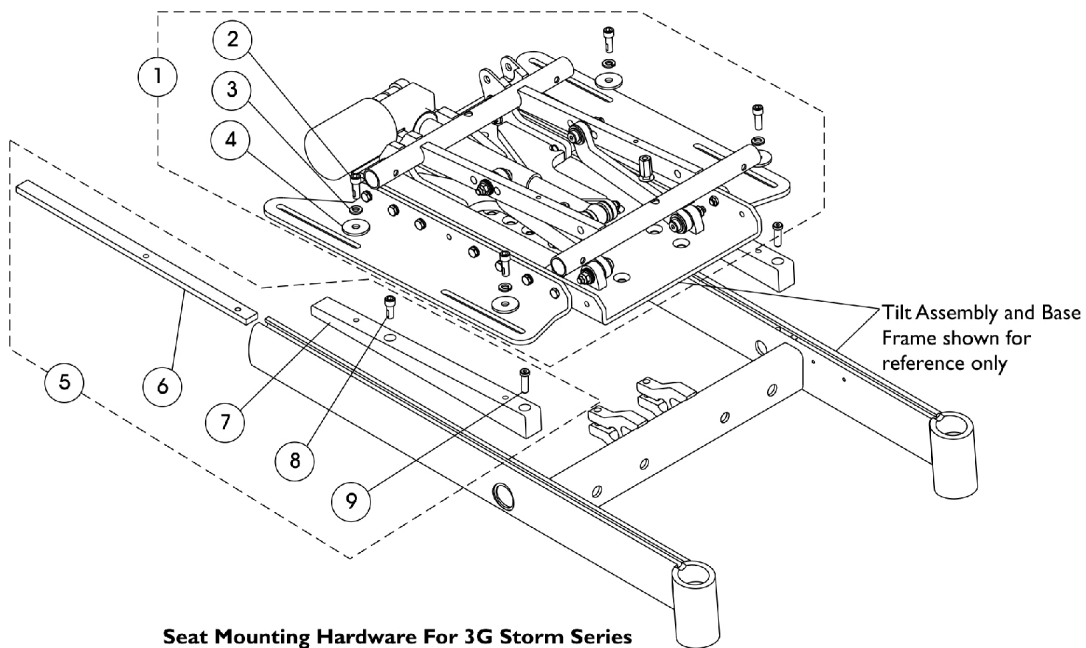
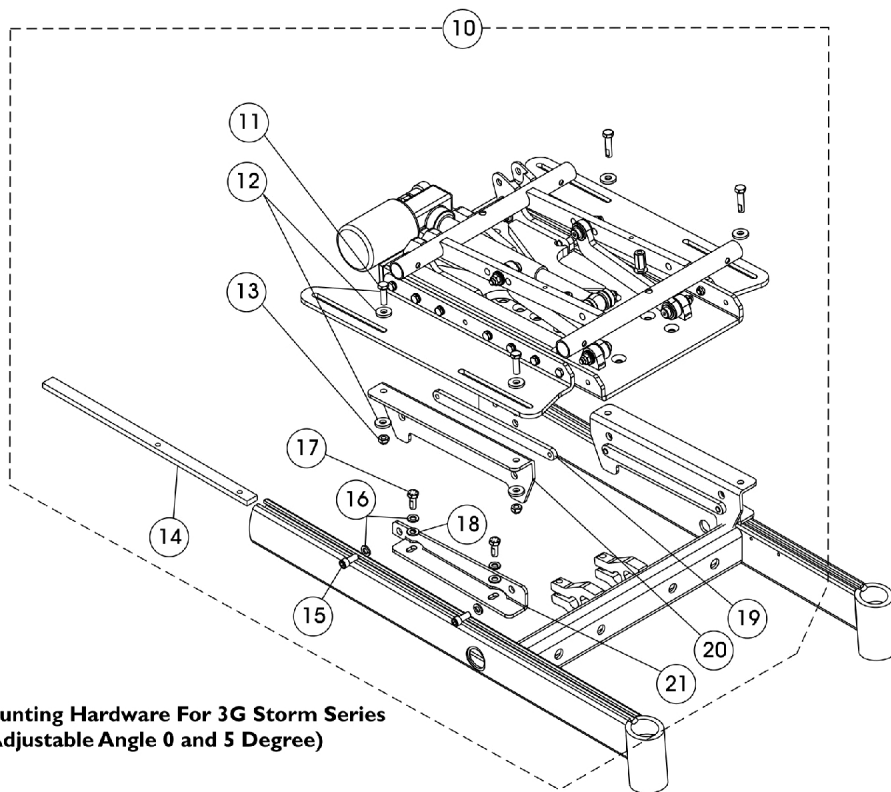


Seat Frame Mounting Hardware (Non-Adj. & Adj. Angle) For 3G Storm



**Seat Mounting Hardware For 3G Storm Series
(Non-Adjustable Angle 0 Degree)**



**Seat Mounting Hardware For 3G Storm Series
(Adjustable Angle 0 and 5 Degree)**

Seat Frame Mounting Hardware (Non-Adj. & Adj. Angle) For 3G Storm

Item Number	Note	Part Number	Description	Quantity Per	
				Package	Assembly
1	A	1145484	Kit, Non-Adj. Angle Seat Frame Mounting Hardware (0 Deg.)	1	1
2			Screw, Socket Head w/ Patch (5/16-18 x 7/8")	1	4
3			NLA - Lockwasher, Split (5/16")	1	4
4			Washer, Steel (11/32 x 1-1/4 x 1/8")	1	4
5	B	1144765	Kit, Wedge Mounting Assembly	1	1
6			Bar, Clamping	1	2
7			Wedge, Mounting, Black	1	2
8			NLA - Screw, Socket Head (5/16-18 x 3/4")	1	2
9			NLA - Screw, Socket Head (5/16-18 x 1")	1	2
10	C	1144768	Kit, Adj. Angle Bracket Assembly (0 - 5 Deg.)	1	1
11			Screw, Hex Head w/ Patch (5/16-18 x 1-1/4")	1	4
12			Washer, Flat (21/64 x 53/64 x 7/64")	1	8
13			Locknut (5/16-18)	1	4
14			Bar, Clamping	1	2
15			NLA - Screw, Socket Head (5/16-18 x 3/4")	1	4
16			NLA - Washer, Lock (5/16 x 9/16 x 1/16")	1	8
17			Screw, Hex Head w/ Patch (5/16-18 x 3/4")	1	4
18			NLA - Washer, Steel (5/16 x 5/8 x 1/16")	1	4
19			Strap, Bolt	1	2
20			Bracket, Adjustable Mounting (0 - 5 Deg.)	1	2
21			Bracket, Adjustable Angle - Right	1	1
21			Bracket, Adjustable Angle - Left	1	1

NOTE: A - Includes items 2-4
 B - Includes items 6-9
 C - Includes items 11-21. The Adjustable Angle Bracket is used when the 5SA model pick is selected on-chair. The bracket is slotted to allow 0 - 5 degree adjustments.