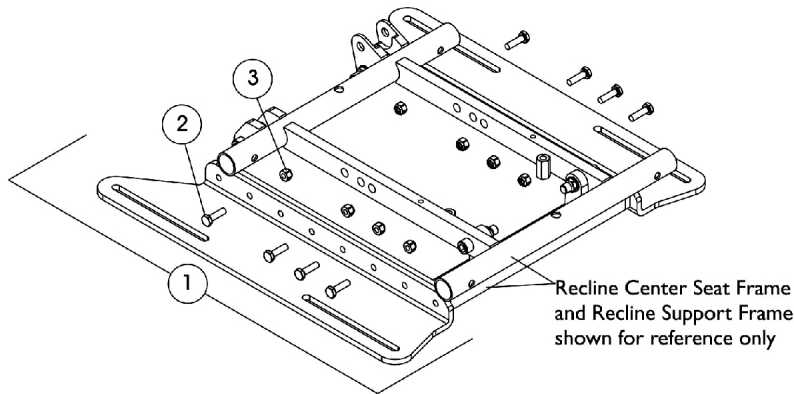
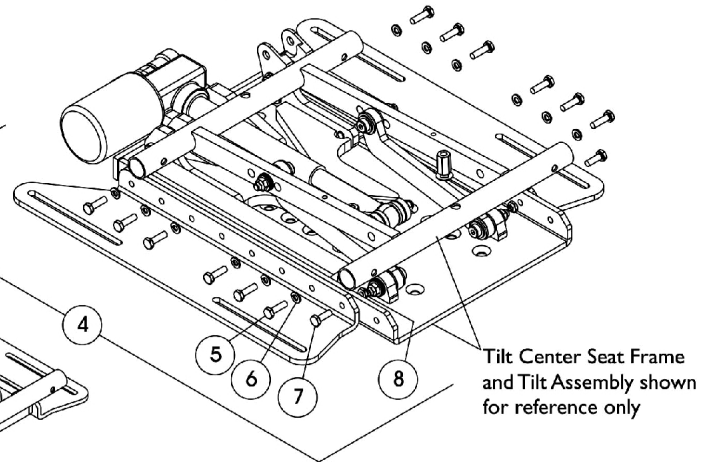


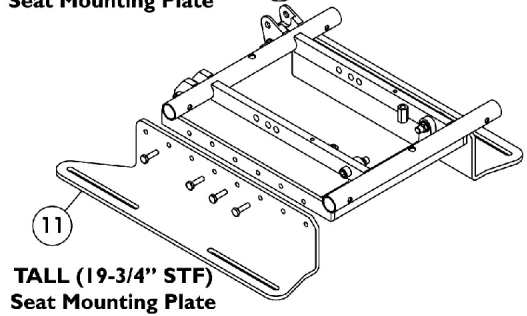
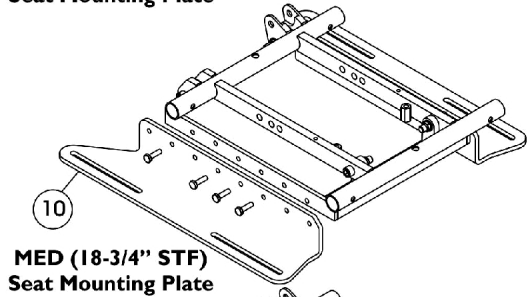
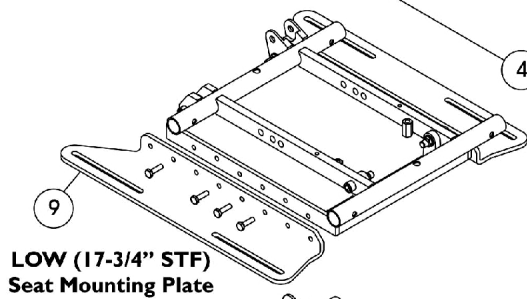
# Seat Frame Mounting Plates and Hardware (LOW, MED, TALL Seat-To-Floor Heights) For 3G Storm



**Seat Mounting Plate  
Attaching Hardware  
(Recline Only)**



**Seat Mounting Plate  
Attaching Hardware  
(Tilt and Tilt/Recline)**



## Seat Frame Mounting Plates and Hardware (LOW, MED, TALL Seat-To-Floor Heights) For 3G Storm

Item Number	Note	Part Number	Description	Quantity Per	
				Package	Assembly
1	A	1143803	NLA - Kit, Seat Mounting Plate Hardware (Recline Only)	1	1
2			Screw, Hex Head (1/4-20 x 7/8")	1	8
3			Locknut (1/4-20)	1	8
4	B	1143802	Kit, Seat Mounting Plate Hardware (Tilt & Tilt/Recline)	1	1
5			NLA - Screw, Hex Head (1/4-20 x 1")	1	12
6			Lockwasher, Split (1/4")	1	12
7			NLA - Bolt, Hex Head Cap (1/4-20 x 3/4")	1	2
8			Locknut (1/4-20)	1	2
9	C	1144769	Plate, LOW (17-3/4" STF) Seat Mounting (Pair)	2	1
10	C	1144770	Plate, MED (18-3/4" STF) Seat Mounting (Pair)	2	1
11	C	1144771	Plate, TALL (19-3/4" STF) Seat Mounting (Pair)	2	1
NOTE: A - Includes items 2-3 B - Includes items 5-8 C - Part Number contains the Right and Left side Brackets					