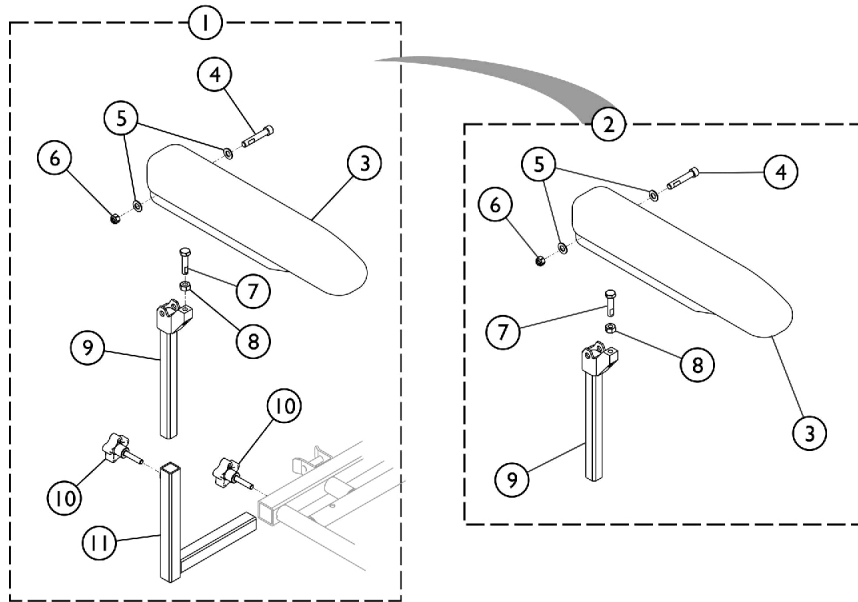
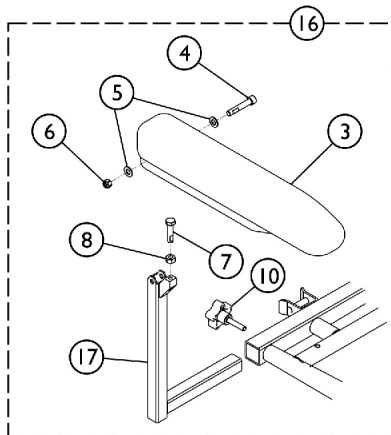


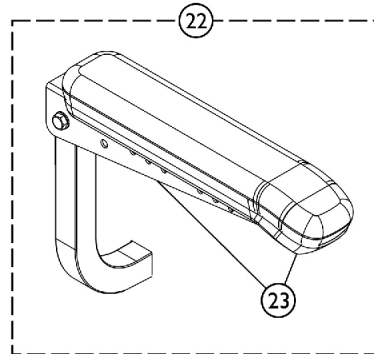
# Arms



**Adjustable Height Arm Assembly**



**Fixed Height Arm Assembly**



**Fold Down Seat Arms**

**Semi Recline Van Seat Arms**

## Arms

Item Number	Note	Part Number	Description	Quantity Per		
				Package	Assembly	
1	A	1142474	Arm Assembly, Adj. Height, Full Length, Black - Right	1	1	
1	A	1142475	Arm Assembly, Adj. Height, Full Length, Black - Left	1	1	
1	A	1142492	Arm Assembly, Adj. Height, Desk Length, Black - Left	1	1	
1	A	1142493	Arm Assembly, Adj. Height, Desk Length, Black - Right	1	1	
2	B	1142487	Upper Arm Assembly, Desk Length (Right/Left)	1	1	
3			Arm Pad, Desk Length, Black Urethane (12-1/4" L x 2-5/8" W)	1	1	
4			Screw, Socket Head w/ Patch (5/16-18 x 1-3/4")	1	1	
5			Washer, Flat (5/16 x 5/8 x 1/16")	1	2	
6			Locknut (5/16-18)	1	1	
7			Screw, Hex Head w/ Patch (5/16-18 x 1-1/4")	1	1	
8			NLA - Nut, Hex (5/16-18)	1	1	
9			Tube, Arm, Upper Adjustable Height, Black	1	1	
2			1140426	Upper Arm Assembly, Full Length (Right/Left)	1	1
3				Arm Pad, Full Length, Urethane, Black (15" L x 2-5/8" W)	1	1
4				Screw, Socket Head w/ Patch (5/16-18 x 1-3/4")	1	1
5				Washer, Flat (5/16 x 5/8 x 1/16")	1	2
6				Locknut (5/16-18)	1	1
7				Screw, Hex Head w/ Patch (5/16-18 x 1-1/4")	1	1
8				NLA - Nut, Hex (5/16-18)	1	1
9	Tube, Arm, Upper Adjustable Height, Black	1		1		
3	1139923	Arm Pad, Desk Length, Black Urethane (12-1/4" L x 2-5/8" W)		1	1	
3		1139924		Arm Pad, Full Length, Urethane, Black (15" L x 2-5/8" W)	1	1
10				1114910	Knob, Adjustment, Black (5/16-18 x 3/4")	1
11	1113646			Tube, Arm, Lower Adjustable Width, Black - Right	1	1
11	1113647	Tube, Arm, Lower Adjustable Width, Black - Left		1	1	
16	C	1142488		Arm Assembly, Desk Length Fixed Height - Right	1	1
3				Arm Pad, Desk Length, Black Urethane (12-1/4" L x 2-5/8" W)	1	1
4			Screw, Socket Head w/ Patch (5/16-18 x 1-3/4")	1	1	
5			Washer, Flat (5/16 x 5/8 x 1/16")	1	2	
6			Locknut (5/16-18)	1	1	
7			Screw, Hex Head w/ Patch (5/16-18 x 1-1/4")	1	1	
8			NLA - Nut, Hex (5/16-18)	1	1	
10			Knob, Adjustment, Black (5/16-18 x 3/4")	1	1	
17			NLA - Tube, Arm, Fixed Height, Black - Right	1	1	
16			1142489	Arm Assembly, Desk Length Fixed Height - Left	1	1
3				Arm Pad, Desk Length, Black Urethane (12-1/4" L x 2-5/8" W)	1	1
4				Screw, Socket Head w/ Patch (5/16-18 x 1-3/4")	1	1
5				Washer, Flat (5/16 x 5/8 x 1/16")	1	2
6				Locknut (5/16-18)	1	1
7				Screw, Hex Head w/ Patch (5/16-18 x 1-1/4")	1	1

# Arms

Item Number	Note	Part Number	Description	Quantity Per	
				Package	Assembly
8			NLA - Nut, Hex (5/16-18)	1	1
10			Knob, Adjustment, Black (5/16-18 x 3/4")	1	1
17			NLA - Tube, Arm, Fixed Height, Black - Left	1	1
16	C	1142483	Arm Assembly, Full Length Fixed Height - Right	1	1
3			Arm Pad, Full Length, Urethane, Black (15" L x 2-5/8" W)	1	1
4			Screw, Socket Head w/ Patch (5/16-18 x 1-3/4")	1	1
5			Washer, Flat (5/16 x 5/8 x 1/16")	1	2
6			Locknut (5/16-18)	1	1
7			Screw, Hex Head w/ Patch (5/16-18 x 1-1/4")	1	1
8			NLA - Nut, Hex (5/16-18)	1	1
10			Knob, Adjustment, Black (5/16-18 x 3/4")	1	1
17			NLA - Tube, Arm, Fixed Height, Black - Right	1	1
16	C	1142486	Arm Assembly, Full Length Fixed Height - Left	1	1
3			Arm Pad, Full Length, Urethane, Black (15" L x 2-5/8" W)	1	1
4			Screw, Socket Head w/ Patch (5/16-18 x 1-3/4")	1	1
5			Washer, Flat (5/16 x 5/8 x 1/16")	1	2
6			Locknut (5/16-18)	1	1
7			Screw, Hex Head w/ Patch (5/16-18 x 1-1/4")	1	1
8			NLA - Nut, Hex (5/16-18)	1	1
10			Knob, Adjustment, Black (5/16-18 x 3/4")	1	1
17			NLA - Tube, Arm, Fixed Height, Black - Left	1	1
22	D	1141938-NLA	NLA - Arm Assembly, Black - Right	1	1
22	D	1141939-NLA	NLA - Arm Assembly, Black - Left	1	1
23	E	1141937	Pad, Arm, Full Length, Urethane, Black	1	2
NOTE: A - Includes items 2 - 11. B - Includes items 3 - 9. C - Includes items 3 - 8, 10, and item 17. D - Includes item 3 and Arm Tube and attaching hardware. E - Arm Pad does not include Attaching Hardware. Item 22 must be ordered if hardware is needed.					