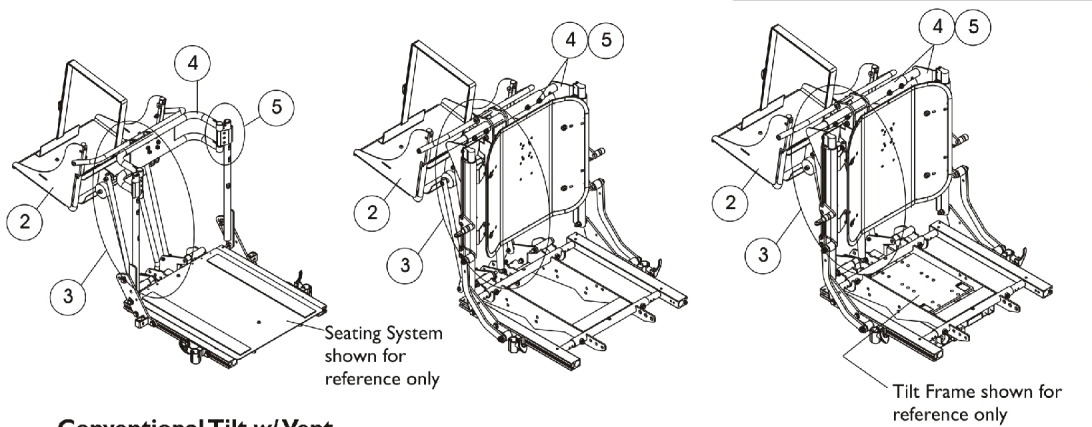


Vent Tray Kits

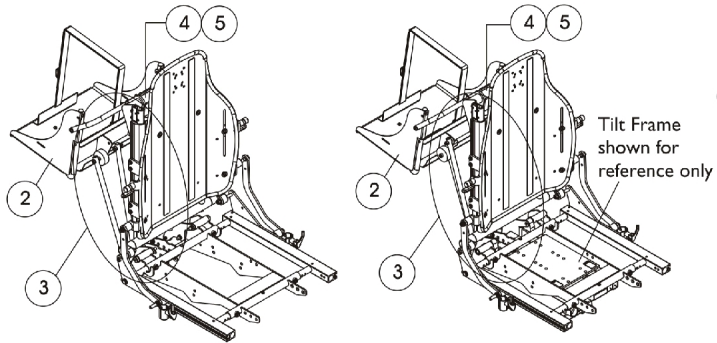
NOTE: Vent Tray Kits are not available for chairs with Elevate Option



Conventional Tilt w/ Vent
 (NOTE: For Conventional Tilt w/ BPO Option, The Double Spreader Bar is Already Attached To The System.)

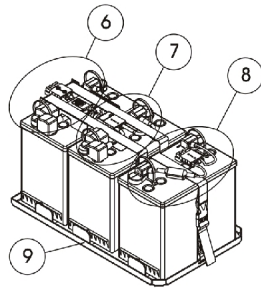
Conventional Recline Only

Conventional Tilt/Recline

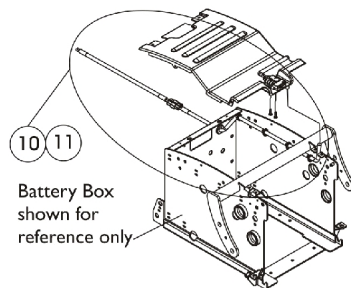


Contoura Recline Only

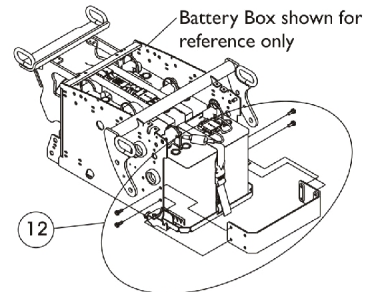
Contoura Tilt/Recline



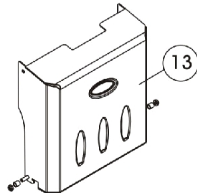
Battery Tray and Wire Harnesses



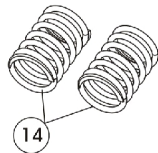
Vent Battery Harness



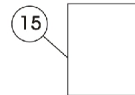
Battery Support Bracket



Battery Box Door Assembly



Dark Yellow EXTRA Heavy Duty Springs



Instruction Sheet

Vent Tray Kits

NOTE: Vent Tray Kits are not available for chairs with Elevate Option

Conventional Tilt w/ Conventional Back 16, 17, 18, 19, 20" Wide

Item #	Description	Conv. Tilt w/ Conv. Back 16" Wide	Conv. Tilt w/ Conv. Back 17" Wide	Conv. Tilt w/ Conv. Back 18" Wide	Conv. Tilt w/ Conv. Back 19" Wide	Conv. Tilt w/ Conv. Back 20" Wide	Qty. Per Asbly.
1.	Vent Tray Kit & Service Manual	1142994-NLA See Note(s) A	1142995-NLA See Note(s) A	1142996-NLA See Note(s) A	1142997-NLA See Note(s) A	1142998-NLA See Note(s) A	1
2.	Kit, Vent Tray Assembly without Mounting Hardware	1125708	1125708	1125708	1125708	1125708	1
3.	Kit, Vent Tray Mounting Hardware	1125805	1125805	1125805	1125805	1125805	1
4.	Spreader Bar Assembly	0013602	0013702	0013802	0013902	0014002	1
5.	Spreader Bar Mounting Hardware	1125761	1125761	1125761	1125761	1125761	1
6.	Battery Wire Harness with Terminal Hardware, 22NF Rear	1120363	1120363	1120363	1120363	1120363	1
7.	Battery Wire Harness with Terminal Hardware, 22NF Front	1120362	1120362	1120362	1120362	1120362	1
8.	Battery Wire Harness with Terminal Hardware, 22NF Vent	1121143	1121143	1121143	1121143	1121143	1
9.	Battery Tray Assembly, TDX 22NF For Vent	1121142-NLA	1121142-NLA	1121142-NLA	1121142-NLA	1121142-NLA	1
10.	Kit, Vent Battery Harness Assembly with Hardware	1121029-NLA	1121029-NLA	1121029-NLA	1121029-NLA	1121029-NLA	1
11.	Kit, Vent Battery Harness Assembly with Hardware For TRBKTS Option	1139531-NLA	1139531-NLA	1139531-NLA	1139531-NLA	1139531-NLA	1

Vent Tray Kits

NOTE: Vent Tray Kits are not available for chairs with Elevate Option

Conventional Tilt w/ Conventional Back 16, 17, 18, 19, 20" Wide

Item #	Description	Conv. Tilt w/ Conv. Back 16" Wide	Conv. Tilt w/ Conv. Back 17" Wide	Conv. Tilt w/ Conv. Back 18" Wide	Conv. Tilt w/ Conv. Back 19" Wide	Conv. Tilt w/ Conv. Back 20" Wide	Qty. Per Asbly.
12.	Kit, Battery Support Bracket Assembly - For Vent "Option" System w/ 22NF Batteries See Note(s) B	1139541-NLA	1139541-NLA	1139541-NLA	1139541-NLA	1139541-NLA	1
13.	Kit, Battery Box Door Assembly, 22NF Long (For Vent) See Note(s) B	1121072-NLA	1121072-NLA	1121072-NLA	1121072-NLA	1121072-NLA	1
14.	Spring, Dark Yellow; EXTRA Heavy Duty See Note(s) C	1125645-NLA See Note(s) C	1125645-NLA See Note(s) C	1125645-NLA See Note(s) C	1125645-NLA See Note(s) C	1125645-NLA See Note(s) C	2
15.	Instruction Sheet, Formula TRE Vent Tray Kit	1143185-NLA	1143185-NLA	1143185-NLA	1143185-NLA	1143185-NLA	1
<p>NOTE: A - Vent Tray Kit includes items 2-15. B - Includes Battery Box Door. C - Spring color changed from Sunny Yellow to Dark Yellow 3/22/10. It is recommended to order springs in pairs to match color and maintain equal spring tension on both sides of the wheelchair</p>							

Vent Tray Kits

NOTE: Vent Tray Kits are not available for chairs with Elevate Option

(Conventional Tilt w/ Conventional Back 21, 22, 23, 24" Wide) & (Conventional Tilt w/ BPO Option)

Item #	Description	Conv. Tilt w/ Conv. Back 21" Wide	Conv. Tilt w/ Conv. Back 22" Wide	Conv. Tilt w/ Conv. Back 23" Wide	Conv. Tilt w/ Conv. Back 24" Wide	Conv. Tilt w/ BPO Option	Qty. Per Asbly.
1.	Vent Tray Kit & Service Manual	1142999-NLA See Note(s) A	1143000-NLA See Note(s) A	1143001-NLA See Note(s) A	1143002-NLA See Note(s) A	1143003-NLA See Note(s) A	1
2.	Kit, Vent Tray Assembly without Mounting Hardware	1125708	1125708	1125708	1125708	1125708	1
3.	Kit, Vent Tray Mounting Hardware	1125805	1125805	1125805	1125805	1125805	1
4.	Spreader Bar Assembly	0014102	0014202	0284202-NLA	0284302-NLA	N/A	1
5.	Spreader Bar Mounting Hardware	1125761	1125761	1125761	1125761	N/A	1
6.	Battery Wire Harness with Terminal Hardware, 22NF Rear	1120363	1120363	1120363	1120363	1120363	1
7.	Battery Wire Harness with Terminal Hardware, 22NF Front	1120362	1120362	1120362	1120362	1120362	1
8.	Battery Wire Harness with Terminal Hardware, 22NF Vent	1121143	1121143	1121143	1121143	1121143	1
9.	Battery Tray Assembly, TDX 22NF For Vent	1121142-NLA	1121142-NLA	1121142-NLA	1121142-NLA	1121142-NLA	1
10.	Kit, Vent Battery Harness Assembly with Hardware	1121029	1121029	1121029	1121029	1121029	1
11.	Kit, Vent Battery Harness Assembly with Hardware For TRBKTS Option	1139531	1139531	1139531	1139531	1139531	1

Vent Tray Kits

NOTE: Vent Tray Kits are not available for chairs with Elevate Option

(Conventional Tilt w/ Conventional Back 21, 22, 23, 24" Wide) & (Conventional Tilt w/ BPO Option)

Item #	Description	Conv. Tilt w/ Conv. Back 21" Wide	Conv. Tilt w/ Conv. Back 22" Wide	Conv. Tilt w/ Conv. Back 23" Wide	Conv. Tilt w/ Conv. Back 24" Wide	Conv. Tilt w/ BPO Option	Qty. Per Asbly.
12.	Kit, Battery Support Bracket Assembly - For Vent "Option" System w/ 22NF Batteries See Note(s) B	1139541-NLA	1139541-NLA	1139541-NLA	1139541-NLA	1139541-NLA	1
13.	Kit, Battery Box Door Assembly, 22NF Long (For Vent) See Note(s) B	1121072-NLA	1121072-NLA	1121072-NLA	1121072-NLA	1121072-NLA	1
14.	Spring, Dark Yellow; EXTRA Heavy Duty See Note(s) C	1125645-NLA See Note(s) C	1125645-NLA See Note(s) C	1125645-NLA See Note(s) C	1125645-NLA See Note(s) C	1125645-NLA See Note(s) C	2
15.	Instruction Sheet, Formula TRE Vent Tray Kit	1143185-NLA	1143185-NLA	1143185-NLA	1143185-NLA	1143185-NLA	1
<p>NOTE: A - Vent Tray Kit includes items 2-15. The Conventional Tilt w/ BPO Option omits items 2 and 3. B - Includes Battery Box Door. C - Spring color changed from Sunny Yellow to Dark Yellow 3/22/10. It is recommended to order springs in pairs to match color and maintain equal spring tension on both sides of the wheelchair</p>							

Vent Tray Kits

NOTE: Vent Tray Kits are not available for chairs with Elevate Option

Conventional Recline, Tilt/Recline 16-24" Wide

Item #	Description	Conv. Recline 16-20" Wide	Conv. Recline 20-24" Wide	Conv. Tilt/Recline 16-20" Wide	Conv. Tilt/Recline 20-24" Wide	Qty. Per Asbly.
1.	Vent Tray Kit & Service Manual	1143004-NLA See Note(s) A	1143005-NLA See Note(s) A	1143006-NLA See Note(s) A	1143007-NLA See Note(s) A	1
2.	Kit, Vent Tray Assembly without Mounting Hardware	1125708	1125708	1125708	1125708	1
3.	Kit, Vent Tray Mounting Hardware	1125819-NLA	1125819-NLA	1125800	1125800	1
4.	Spreader Bar Assembly	1125767-NLA	1125769-NLA	1125767-NLA	1125769-NLA	1
5.	Spreader Bar Mounting Hardware	1125765	1125765	1125765	1125765	1
6.	Battery Wire Harness with Terminal Hardware, 22NF Rear	1120363	1120363	1120363	1120363	1
7.	Battery Wire Harness with Terminal Hardware, 22NF Front	1120362	1120362	1120362	1120362	1
8.	Battery Wire Harness with Terminal Hardware, 22NF Vent	1121143	1121143	1121143	1121143	1
9.	Battery Tray Assembly, TDX 22NF For Vent	1121142-NLA	1121142-NLA	1121142-NLA	1121142-NLA	1
10.	Kit, Vent Battery Harness Assembly with Hardware	1121029	1121029	1121029	1121029	1
11.	Kit, Vent Battery Harness Assembly with Hardware For TRBKTS Option	1139531	1139531	1139531	1139531	1
12.	Kit, Battery Support Bracket Assembly - For Vent "Option" System w/ 22NF Batteries See Note(s) B	1139541-NLA	1139541-NLA	1139541-NLA	1139541-NLA	1

Vent Tray Kits

NOTE: Vent Tray Kits are not available for chairs with Elevate Option

Conventional Recline, Tilt/Recline 16-24" Wide

Item #	Description	Conv. Recline 16-20" Wide	Conv. Recline 20-24" Wide	Conv. Tilt/Recline 16-20" Wide	Conv. Tilt/Recline 20-24" Wide	Qty. Per Asbly.
13.	Kit, Battery Box Door Assembly, 22NF Long (For Vent) See Note(s) B	1121072-NLA	1121072-NLA	1121072-NLA	1121072-NLA	1
14.	Spring, Dark Yellow; EXTRA Heavy Duty	1125645-NLA See Note(s) C	1125645-NLA See Note(s) C	1125645-NLA See Note(s) C	1125645-NLA See Note(s) C	2
15.	Instruction Sheet, Formula TRE Vent Tray Kit	1143185-NLA	1143185-NLA	1143185-NLA	1143185-NLA	1
<p>NOTE: A - Vent Tray Kit includes items 2-15 B - Includes Battery Box Door. C - Spring color changed from Sunny Yellow to Dark Yellow 3/22/10. It is recommended to order springs in pairs to match color and maintain equal spring tension on both sides of the wheelchair</p>						

Vent Tray Kits

NOTE: Vent Tray Kits are not available for chairs with Elevate Option

Contoura Tilt, Tilt/Recline and Recline

Item #	Description	Contoura Tilt & T/R	Contoura Recline	Qty. Per Asbly.
1.	Vent Tray Kit & Service Manual	1143008-NLA See Note(s) A	1143009-NLA See Note(s) A	1
2.	Kit, Vent Tray Assembly without Mounting Hardware	1125708	1125708	1
3.	Kit, Vent Tray Mounting Hardware	1125800-NLA	1125819-NLA	1
4.	Spreader Bar Assembly	1125788-NLA	1125788-NLA	1
5.	Spreader Bar Mounting Hardware	1125765	1125765	1
6.	Battery Wire Harness with Terminal Hardware, 22NF Rear	1120363	1120363	1
7.	Battery Wire Harness with Terminal Hardware, 22NF Front	1120362	1120362	1
8.	Battery Wire Harness with Terminal Hardware, 22NF Vent	1121143	1121143	1
9.	Battery Tray Assembly, TDX 22NF For Vent	1121142-NLA	1121142-NLA	1
10.	Kit, Vent Battery Harness Assembly with Hardware	1121029	1121029	1
11.	Kit, Vent Battery Harness Assembly with Hardware For TRBKTS Option	1139531	1139531	1
12.	Kit, Battery Support Bracket Assembly - For Vent "Option" System w/ 22NF Batteries See Note(s) B	1139541-NLA	1139541-NLA	1
13.	Kit, Battery Box Door Assembly, 22NF Long (For Vent) See Note(s) B	1121072-NLA	1121072-NLA	1
14.	Spring, Dark Yellow; EXTRA Heavy Duty	1125645-NLA See Note(s) C	1125645-NLA See Note(s) C	2
15.	Instruction sheet, Formula TRE Vent Tray Kit	1143185-NLA	1143185-NLA	1

NOTE: A - Vent Tray Kit includes items 2-15
 B - Includes Battery Box Door.
 C - Spring color changed from Sunny Yellow to Dark Yellow 3/22/10. It is recommended to order springs in pairs to match color and maintain equal spring tension on both sides of the wheelchair