

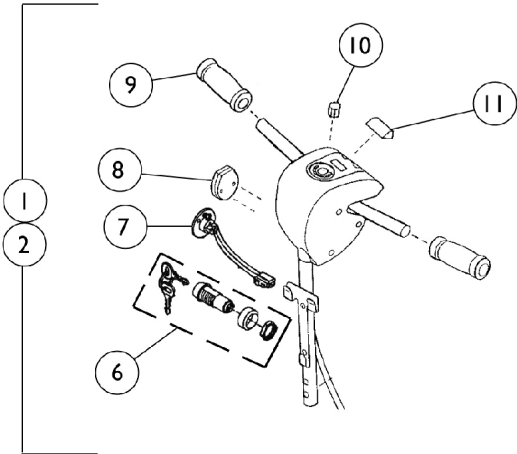
Tiller Assembly with Harness

Lynx LX3 (Before S/N 00F622315)

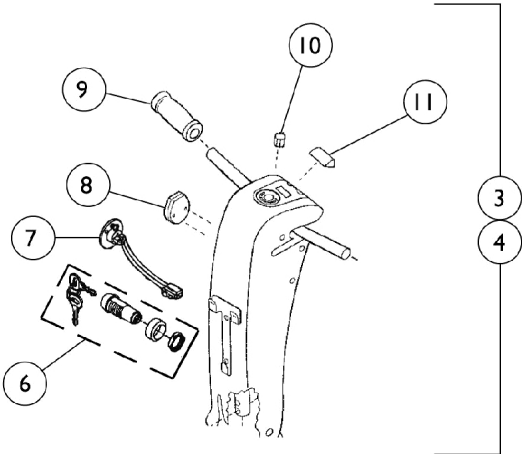
Panther LX4 (Before S/N 00F622475)

Panther MX4 (Before S/N 00F623495)

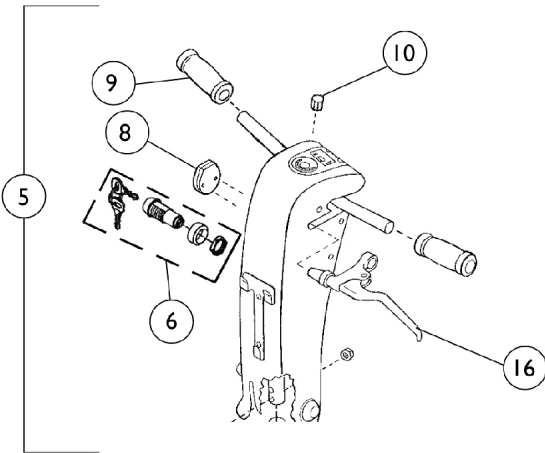
Lynx SX3P/SX3



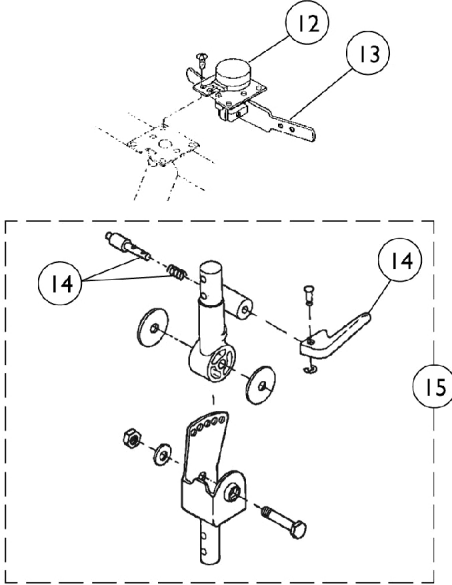
Lynx LX3
Panther LX4



Panther MX4



Lynx SX3P/SX3/LX3
Panther LX4/MX4



Tiller Assembly with Harness
Lynx LX3 (Before S/N 00F622315)
Panther LX4 (Before S/N 00F622475)
Panther MX4 (Before S/N 00F623495)

Item Number	Note	Part Number	Description	Quantity Per	
				Package	Assembly
1		1088691-NLA	NLA - Tiller Assembly w/ Harness, Gray	1	1
2		1088692-NLA	NLA - Tiller Assembly w/ Harness, Candy Red	1	1
2		1088694-NLA	NLA - Tiller Assembly w/ Harness, Deep Blue	1	1
3		1088695-NLA	NLA - Tiller Assembly w/ Harness, Candy Red	1	1
3		1088696-NLA	NLA - Tiller Assembly w/ Harness, Metallic Green	1	1
3		1088697-NLA	NLA - Tiller Assembly w/ Harness, Deep Blue	1	1
4		1088698-NLA	NLA - Tiller Assembly w/ Harness, Candy Red	1	1
4		1088699-NLA	NLA - Tiller Assembly w/ Harness, Metallic Green	1	1
4		1088700-NLA	NLA - Tiller Assembly w/ Harness, Deep Blue	1	1
5		1088701-NLA	NLA - Tiller Assembly w/ Harness, Champagne	1	1
6		1102927-NLA	NLA - Key Switch with Keys	1	1
6		1088704-NLA	NLA - Keys Only (Pair)	2	1
7		1091863-NLA	NLA - Charger Port - Lynx SX3P, Panther LX4 and Zoom-3	1	1
8		1091862-NLA	NLA - Cover, Charger Port - Lynx SX3/LX3/LX3 Plus and Panther MX4	1	1
9		1088706-NLA	NLA - Grips, Hand (Pair)	2	1
10	B	1088705-NLA	NLA - Knob, Tiller Speed	1	1
11		1088707-NLA	NLA - Canopy, LED	1	1
12	C	1101276-NLA	NLA - Potentiometer	1	1
13		1088708-NLA	NLA - Lever, Throttle	1	1
14		1088709-NLA	NLA - Handle, Latch with Spring and Pin	1	1
15		1099708-NLA	NLA - Swivel Bracket Assembly	1	1
16		1088778-NLA	NLA - Brake, Hand - Panther MX4	1	1
	A	1097017-NLA	NLA - Kit, Decal w/ Instruction Sheet, Forward/Reverse - Left Hand	1	1
	A	1088794-NLA	NLA - Tiller Hardware - All Models Includes: 2 each Bolt (M6 x 1.0 x 35) 2 each Nut, Self-Lock (6 x 10 x 8) 1 each Washer (8 x 39 x 2) 1 each Washer (8 x 39 x 1.6) 1 each Bolt (M8 x 1.25 x 50) 1 each Washer (8 x 22 x 2) 1 each Nut, Self-Lock (8 x 1.25 x 13)	1	1

NOTE: A - Not Shown
B - This Knob is used on all tiller models - it is not shown on some.
C - The Throttle Lever is included with this item. If the tiller for this part is for is not a "Delta" tiller, please contact the technical services department for instructions on replacing this item.