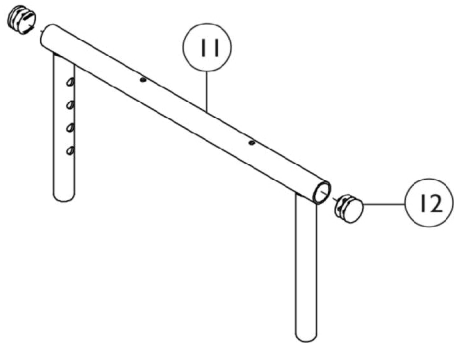
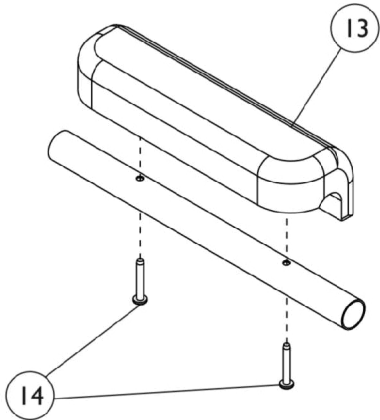
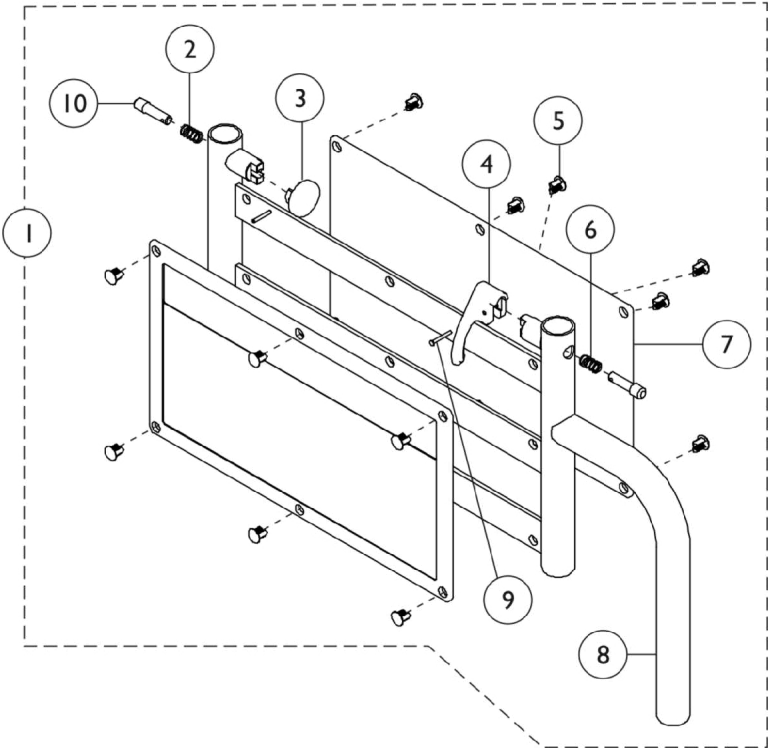


Conventional Adjustable Height Arms - Bariatric



Conventional Adjustable Height Arms - Bariatric

Item Number	Note	Part Number	Description	Quantity Per	
				Package	Assembly
1	A,B	8881140878	Arm Base Assembly, Color - Right	1	1
2			Spring, Arm Lock	1	2
3			Lock, Handle Knob, Black	1	1
4			Handle, Lock, Black - Right	1	1
5			Rivet	1	6
6			NLA - Pin, Roll (5/64 x 5/8")	1	1
7			Guard, Clothing	1	1
8			Base, Arm, Color	1	1
9			Rivet, Tubular	1	1
10			Pin, Locking	1	2
1	A,B	8881140879	Arm Base Assembly, Color - Left	1	1
2			Spring, Arm Lock	1	2
3			Lock, Handle Knob, Black	1	1
4			Handle, Lock, Black - Left	1	1
5			Rivet	1	6
6			NLA - Pin, Roll (5/64 x 5/8")	1	1
7			Guard, Clothing	1	1
8			Base, Arm, Color	1	1
9			Rivet, Tubular	1	1
10			Pin, Locking	1	2
11		1101489	Armrest, Adjustable Top with Plug Buttons, Full Length, Black	1	1
11		1101491	Armrest, Adjustable Top with Plug Buttons, Desk Length, Black	1	1
12		1027095	Plug Button, Black (7/8")	1	1
13	D	1117327	Kit, Arm Pad w/ Screws, Desk Length, Urethane Waterfall, Black (9" L x 2-5/8" W)	1	2
13	D	1117328	Kit, Arm Pad w/ Screws, Full Length, Urethane Waterfall, Black (13" L x 2-5/8" W)	1	2
14		1115322	Hardware, Armpad (Pair)	1	2
	C	7100053	Arm Lock Assembly, Black - Right	1	1
			Handle, Lock, Black - Right	1	1
			Rivet, Tubular	1	2
			Pin, Locking	1	2
			Spring, Arm Lock	1	2
	C	7100054	Arm Lock Assembly, Black - Left	1	1
			Handle, Lock, Black - Left	1	1
			Rivet, Tubular	1	2
			Pin, Locking	1	2
			Spring, Arm Lock	1	2

NOTE: A - Includes items 2-10.
 B - Specify color when ordering. See category titled, "Frame Finishes, Packaging and Upholstery Colors."
 C - Not Shown. Includes items 4, 6, 9 and 10.
 D - Topaz Wheelchairs require longer mounting screws. When ordering this Armpad kit, also order item 14, kit #1115322.