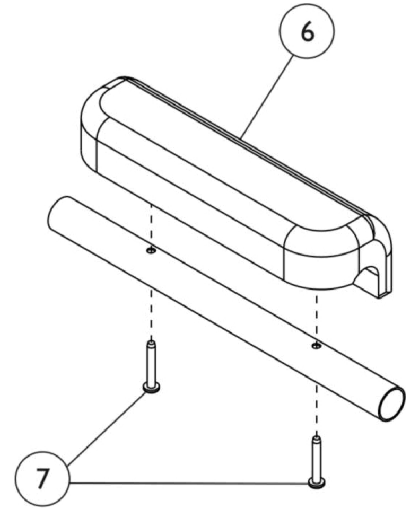
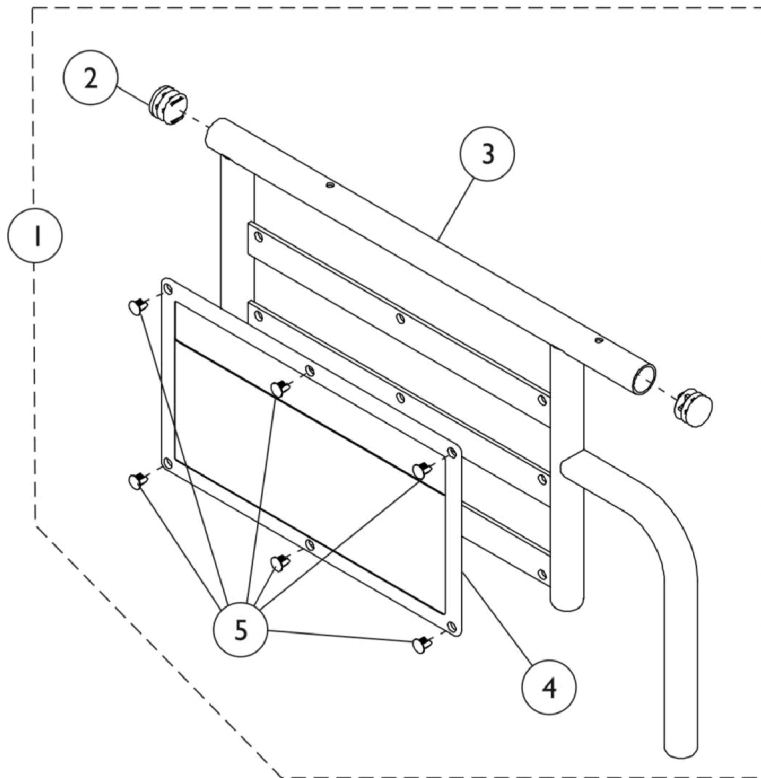


# Conventional Fixed Height Arms - Bariatric



## Conventional Fixed Height Arms - Bariatric

Item Number	Note	Part Number	Description	Quantity Per	
				Package	Assembly
1	A,B	8881140892	Arm Base Assembly, Desk Length, Color - Right	1	1
2			Plug Button, Black (7/8")	1	2
3			Base, Arm, Desk Length, Color - Right/Left	1	1
4			Guard, Clothing	1	1
5			Rivet	1	6
1	A,B	8881140893	Arm Base Assembly, Desk Length, Color - Left	1	1
2			Plug Button, Black (7/8")	1	2
3			Base, Arm, Desk Length, Color - Right/Left	1	1
4			Guard, Clothing	1	1
5			Rivet	1	6
1	A,B	8881140885	Arm Base Assembly, Full Length, Color - Right	1	1
2			Plug Button, Black (7/8")	1	2
3			Base, Arm, Full Length, Color - Right/Left	1	1
4			Guard, Clothing	1	1
5			Rivet	1	6
1	A,B	8881140886	Arm Base Assembly, Full Length, Color - Left	1	1
2			Plug Button, Black (7/8")	1	1
3			Base, Arm, Full Length, Color - Right/Left	1	1
4			Guard, Clothing	1	1
5			Rivet	1	6
6	C	1117327	Kit, Arm Pad w/ Screws, Desk Length, Urethane Waterfall, Black (9" L x 2-5/8" W)	1	2
6	C	1117328	Kit, Arm Pad w/ Screws, Full Length, Urethane Waterfall, Black (13" L x 2-5/8" W)	1	2
7		1115322	Hardware, Armpad (Pair)	1	1
		7100053	Arm Lock Assembly, Black - Right	1	1
			Handle, Lock, Black - Right	1	1
			Rivet, Tubular	1	2
			Pin, Locking	1	2
			Spring, Arm Lock	1	2
		7100054	Arm Lock Assembly, Black - Left	1	1
			Handle, Lock, Black - Left	1	1
	Rivet, Tubular		1	2	
		Pin, Locking	1	2	
		Spring, Arm Lock	1	2	

NOTE: A - Includes items 2-5.  
 B - Specify color when ordering. See category titled, "Frame Finishes, Packaging and Upholstery Colors."  
 C - Topaz Wheelchairs require longer mounting screws. When ordering this Armpad kit, also order item 14, kit #1115322.