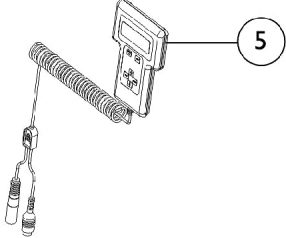
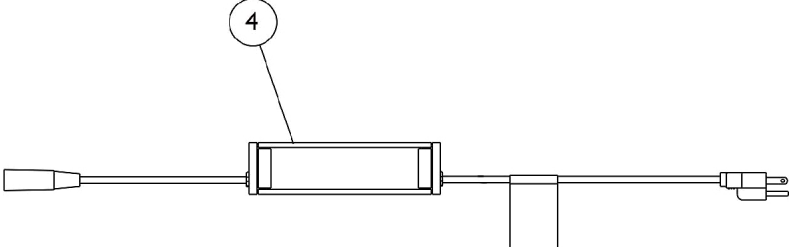
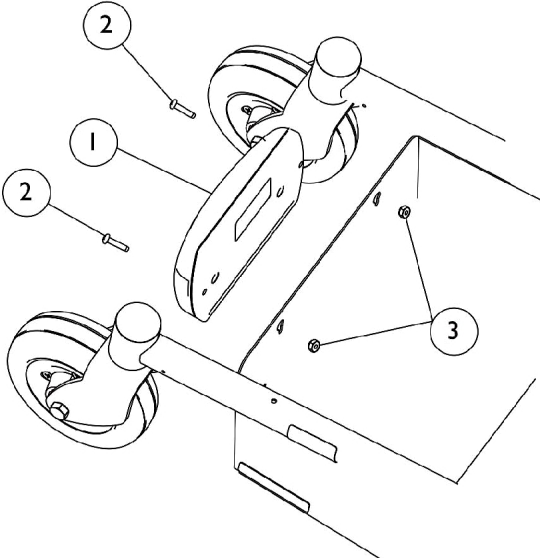
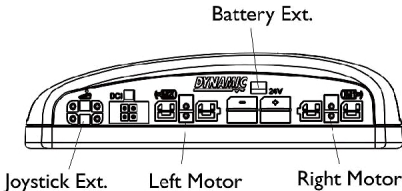


# Electronics - MK5 NX Controllers and Battery Charger

(For Ser. #'s Before 08C & After 09F)

## Controller Connections



## Electronics - MK5 NX Controllers and Battery Charger (For Ser. #'s Before 08C & After 09F)

Item Number	Note	Part Number	Description	Quantity Per	
				Package	Assembly
1	B	1143839	Controller, MK5 NX (40 AMP)	1	1
2	B	1127352	Screw, Phillips Pan Head (#8-32 x 1")	1	2
3	B	1056098	Locknut (#8-32)	1	2
4	A	1121089	Charger, Battery, 3 Amp, Off Board	1	1
4	A	1121089E-NLA	NLA - WARR RPLMT - Charger, Battery, 3 Amp (Off Board)	1	1
5		1109091-NLA	NLA - Programmer, Remote	1	1
NOTE: A - Battery Charger plugs into the front port on the joystick to charge batteries. B - Used Before 4/1/08 w/ Ser. #'s Ending w/ 08C & After 5/31/09 Starting w/ Ser. #'s 09F					