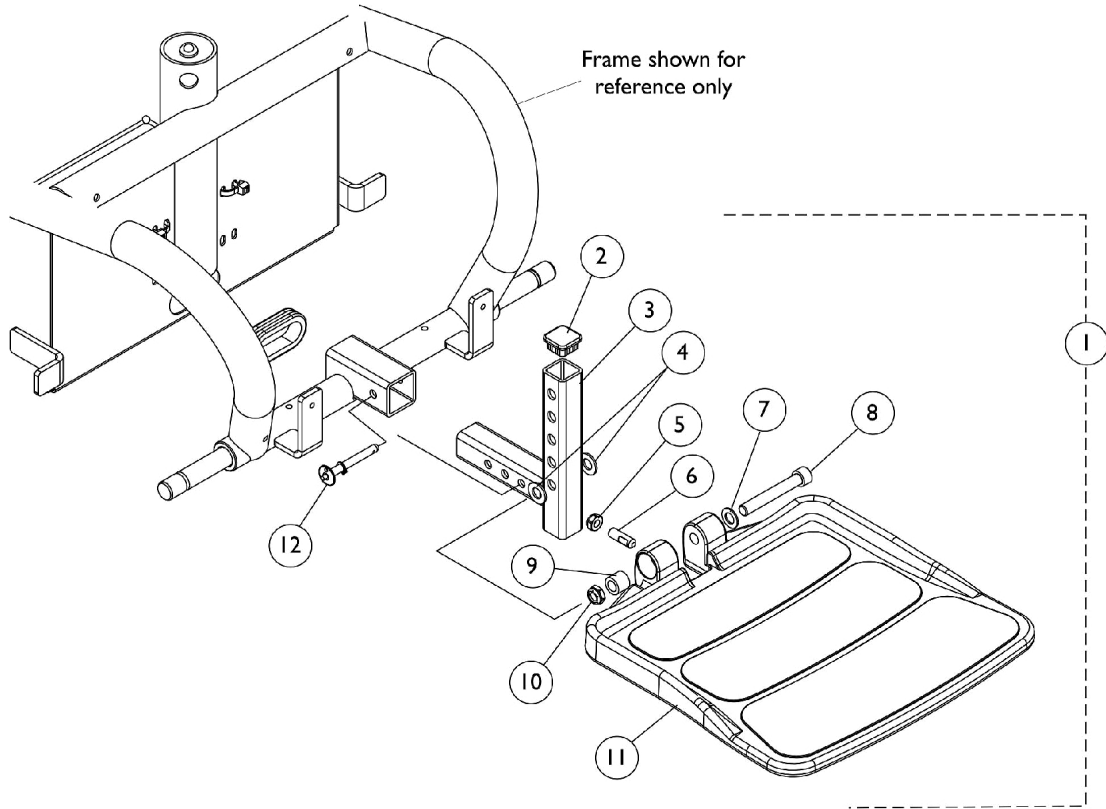


Footboard Assembly - 90FB



Footboard Assembly - 90FB

Item Number	Note	Part Number	Description	Quantity Per	
				Package	Assembly
1	A	1114312	Footboard Assembly	1	1
2		1105038	Plug Button, Black (1" Square)	1	1
3		1106369	Bracket, Footboard Support, Black	1	1
4		1049527	Washer, Nylon (3/8 x 3/4 x 1/16")	1	2
5		1028769	Locknut (5/16-18)	1	1
6		1108457	Screw, Set Socket Flat Point (5/16-18 x 1")	1	1
7		1065214	Washer, Flat (3/8 x 11/16 x 1/16")	1	1
8		1106223	Screw, Socket Head (3/8-16 x 2-1/2")	1	1
9		1105039	Bushing (3/8 x 5/8 x 1/2")	1	1
10		1028486	Locknut, Low Profile (3/8-16)	1	1
11		1114311	Footboard w/ Cover (11-1/4" W x 11-1/2" L)	1	1
12		1109011	Pin, Quick Release	1	1

NOTE: A - Includes items 2-12