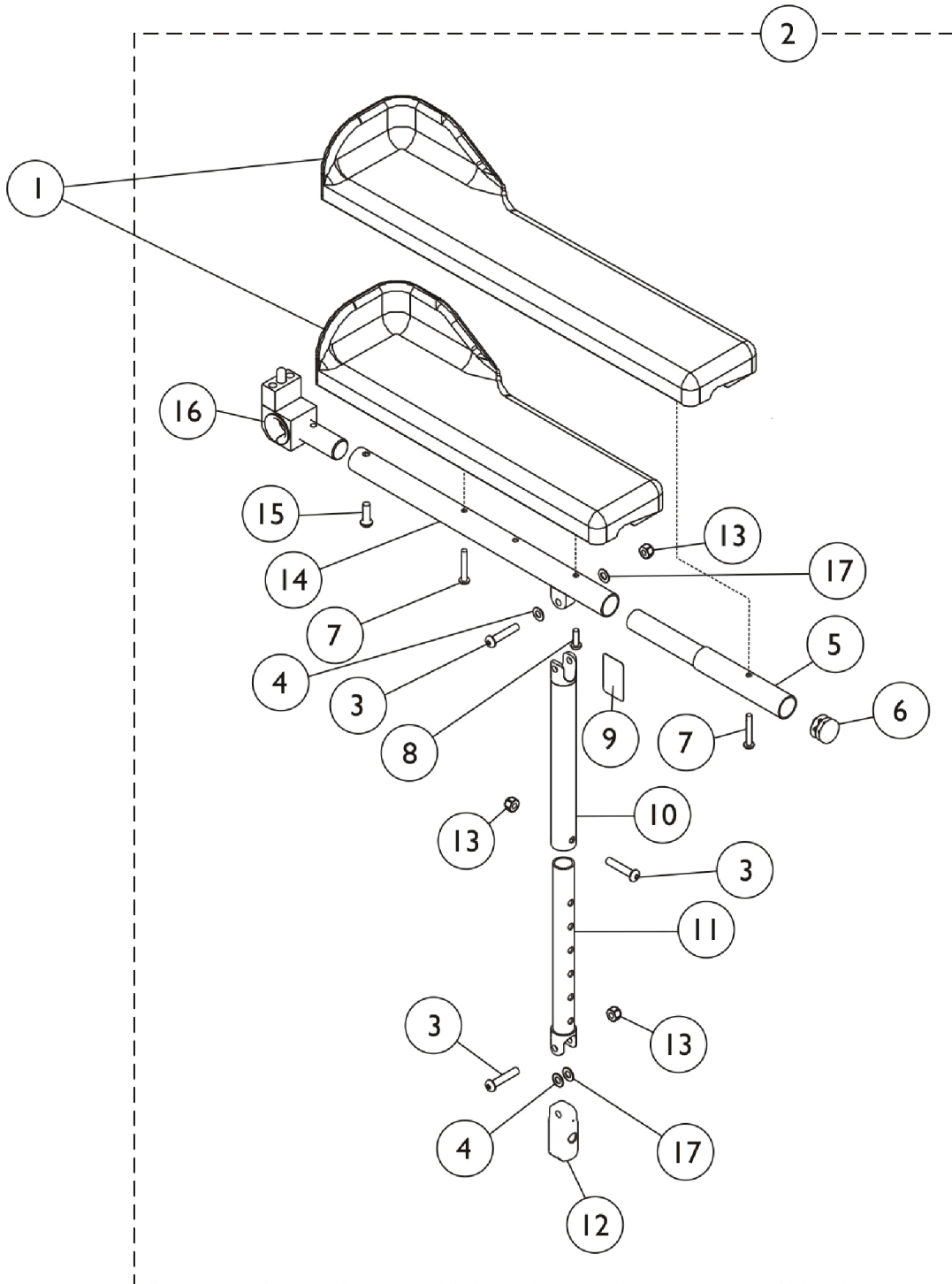


Recline and Tilt/Recline Arms without Mounting Hardware (CGR) and (CGTR/CGTRE)



Recline and Tilt/Recline Arms without Mounting Hardware (CGR) and (CGTR/CGTRE)

Item Number	Note	Part Number	Description	Quantity Per	
				Package	Assembly
1		1082910	Pad, Arm w/ Elbow Stop, Desk Length, Urethane, Black - Right (13" L x 3" W)	1	1
1		1082911	Pad, Arm w/ Elbow Stop, Desk Length, Urethane, Black - Left (13" L x 3" W)	1	1
1		1090190	Kit, Arm Pad w/ Screws and Elbow Stop, Desk Length, Urethane, Black (13" L x 3" W) (Pair)	2	1
1		1082912	Pad, Arm w/ Elbow Stop, Full Length, Urethane, Black - Right (17" L x 3" W)	1	1
1		1082913	Pad, Arm w/ Elbow Stop, Full Length, Urethane, Black - Left (17" L x 3" W)	1	1
1		1090191	Kit, Arm Pad w/ Screws and Elbow Stop, Full Length, Urethane, Black (17" L x 3" W) (Pair)	2	1
2	A,F	1086992	Arm Assembly w/o Arm Pad, Desk Length, Black - Right	1	1
2	A,F	1086993	Arm Assembly w/o Arm Pad, Desk Length, Black - Left	1	1
2	B,F	1087012	Arm Assembly w/o Arm Pad, Full Length, Black - Right	1	1
2	B,F	1087013	Arm Assembly w/o Arm Pad, Full Length, Black - Left	1	1
3		1008432	Screw, Socket Button Head (1/4-20 x 1-1/4")	1	3
4		1026103	Washer, Nylon (1/4 x 1/2 x 1/32")	1	2
5		0028202	Tube, Extension, Full Length	1	1
6		1027095	Plug Button, Black (7/8")	1	1
7		1107155	Screw, Phillips Pan Head Tap (#10-32 x 1-1/4")	1	2
8	C	1028755	Screw, Phillips Pan Head (#10-32 x 5/8")	1	1
8	D	1107155	Screw, Phillips Pan Head Tap (#10-32 x 1-1/4")	1	1
9		1079203	Decal, Warning Pinch Point	1	1
10		1115392	Tube, Arm, Support, Black	1	1
11		1115393-NLA	NLA - Tube, Slide, Adjustable, Black	1	1
12		1082842	Plug, Arm, Black	1	1
13		7930333	Locknut (1/4-20)	25	1
14		1082927	Tube, Arm, Black	1	1
15		1091870	Screw, Socket Button Head w/ Patch (1/4-20 x 3/4")	1	1
16	G	1095437	Arm Pivot Assembly	1	1
17		1165484-NLA	NLA - Washer, Nylon (1/4 x 1/2 x 1/32")	1	2
	E	1119268-NLA	NLA - Kit, Slide Tube w/ Arm Support (Pair)	2	1

NOTE: A - Includes Items 3,4,6, and 9-17
B - Includes Items 3-6 and 8-17
C - Used for full length arms only
D - Used for desk length arms only
E - Not Shown. Assembly includes 2 ea. of item numbers 9, 10 and 11
F - When placing an order for item 2, you must specify as a note For Formula CG seating.
G - The Arm Pivot Assembly Pin faces up for the Formula CG powered seating.