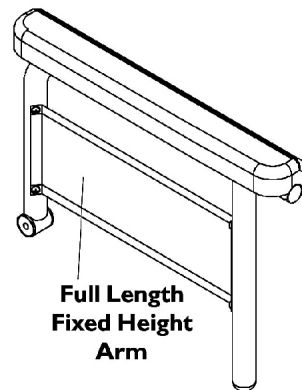
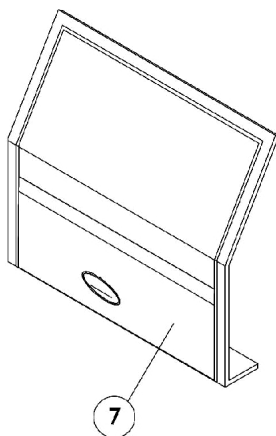
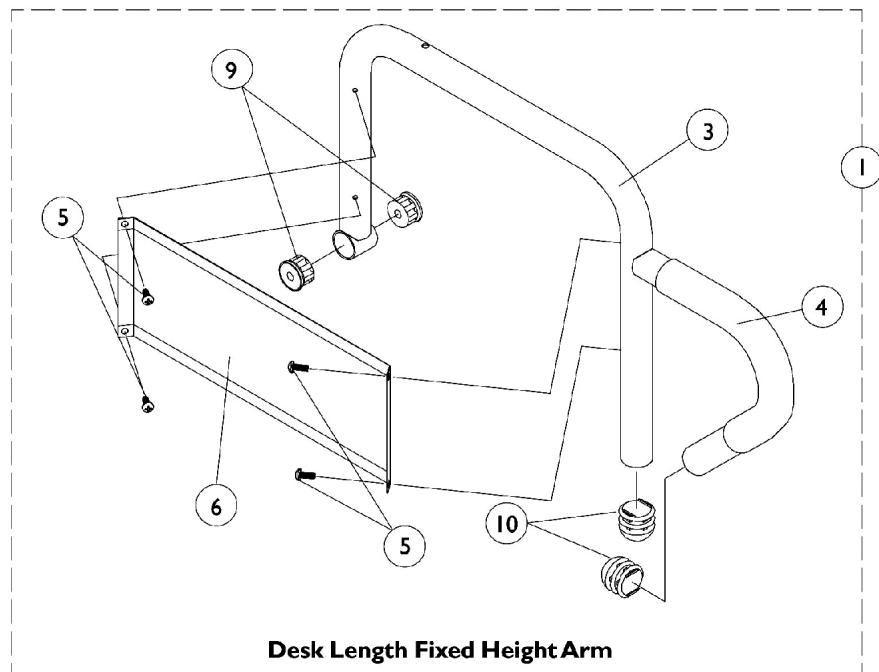
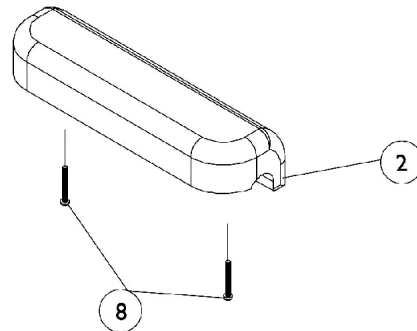


Fixed Height Arms without Mounting Hardware

Conv., Contoura, ABS & Metal Curved Back (CGT) (16-24" W) & (CGE/CGTE) (16-22" W)



Fixed Height Arms without Mounting Hardware

Conv., Contoura, ABS & Metal Curved Back (CGT) (16-24" W) & (CGE/CGTE) (16-22" W)

Item Number	Note	Part Number	Description	Quantity Per	
				Package	Assembly
1		See Chart	Arms Less Pad, 16-22" Deep Seat Frames	1	1
2	B	1117328	Kit, Arm Pad w/ Screws, Full Length, Urethane Waterfall, Black (13" L x 2-5/8" W)	1	1
2		1110818	Kit, Arm Pad w/ Screws, Full Length, Urethane Waterfall, Black (13" L x 2-5/8" W) (Pair)	2	1
2	B	1117327	Kit, Arm Pad w/ Screws, Desk Length, Urethane Waterfall, Black (9" L x 2-5/8" W)	1	1
2		1110817	Kit, Arm Pad w/ Screws, Desk Length, Urethane Waterfall, Black (9" L x 2-5/8" W) (Pair)	2	1
3	A	1068564	Tube, Arm, Desk Length, Black - Right (16-19" D)	1	1
3	A	1068565-NLA	NLA - Tube, Arm, Desk Length, Black - Left (16-19" D)	1	1
3	A	1068490	Tube, Arm, Full Length, Black - Right (16-19"D)	1	1
3	A	1068491-NLA	NLA - Tube, Arm, Full Length, Black - Left (16 - 19"D)	1	1
4		1032244	Grip, Foam Hand (9" L)	1	1
5		1025729	Screw, Phillips Pan Head Tap (#8-32 x 3/8")	1	4
6		1035472-NLA	NLA - Guard, Clothing, Desk Length	1	1
6	A	1044572-NLA	NLA - Guard, Clothing, Full Length (16 - 19" D)	1	1
7		1035065	Cover, Clothing Guard w/ Pocket, FXDESK & ADJFULL/ADJDESK	1	1
8		1094270-NLA	NLA - Package, Screw, Phillips Pan Head (#10-32 x 1-1/4")	2	1
9		1065936	Plug, Pivot	1	2
10		1067734	Plug Button, Black (5/8")	1	2

NOTE: A - All seat depths will use the 16-19" deep replacement components only.
B - After 7/9/07 Invacare recommends ordering armpads in pairs to assure uniform appearance on chair

#1 Arms Less Pad

16-22" Deep Seat Frames

Arm Style	Right	Left
Desk Length	1068566-NLA	1068567-NLA
Full Length	1068559-NLA	1068560-NLA