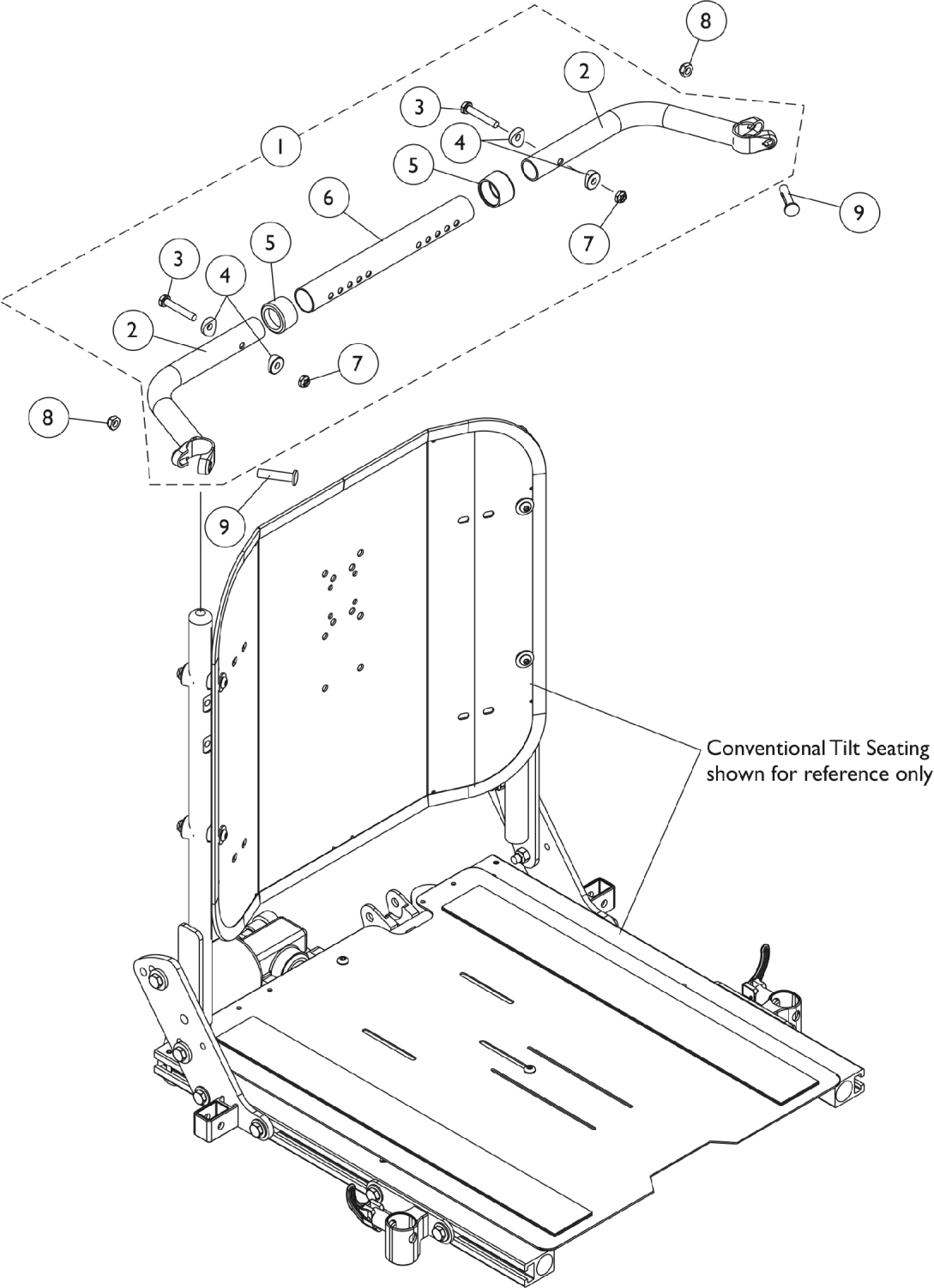


Spreader Bar Assembly

Conventional (CGT/CGTE) without Vent (16"-24" Wide)



Spreader Bar Assembly

Conventional (CGT/CGTE) without Vent (16"-24" Wide)

Item Number	Note	Part Number	Description	Quantity Per	
				Package	Assembly
1	A	1125709	Kit, Spreader Bar Assembly (16"-20" Wide)	1	1
2			NLA - Handle, Spreader Bar, Black	1	2
3			Screw, Hex Head (1/4-20 x 1-1/2")	1	2
4			Spacer, Coved (1/4 x 11/16 x 1/2")	1	4
5			Anti-Rattle (1")	1	2
6			Tube, Spreader Bar, Adjustable, Black (16 - 20" W)	1	1
7			Locknut (1/4-20)	1	2
1	A	1125710	Kit, Spreader Bar Assembly 20"-24" Wide	1	1
2			NLA - Handle, Spreader Bar, Black	1	2
3			Screw, Hex Head (1/4-20 x 1-1/2")	1	2
4			Spacer, Coved (1/4 x 11/16 x 1/2")	1	4
5			Anti-Rattle (1")	1	2
6			Tube, Spreader Bar, Adjustable, Black (20 - 24" W)	1	1
7			Locknut (1/4-20)	1	2
8		1025730	Locknut (5/16-24)	1	2
9		1031026	Screw w/ Lug (5/16-24 x 1-3/8")	1	2

NOTE: A - Includes items 2-7