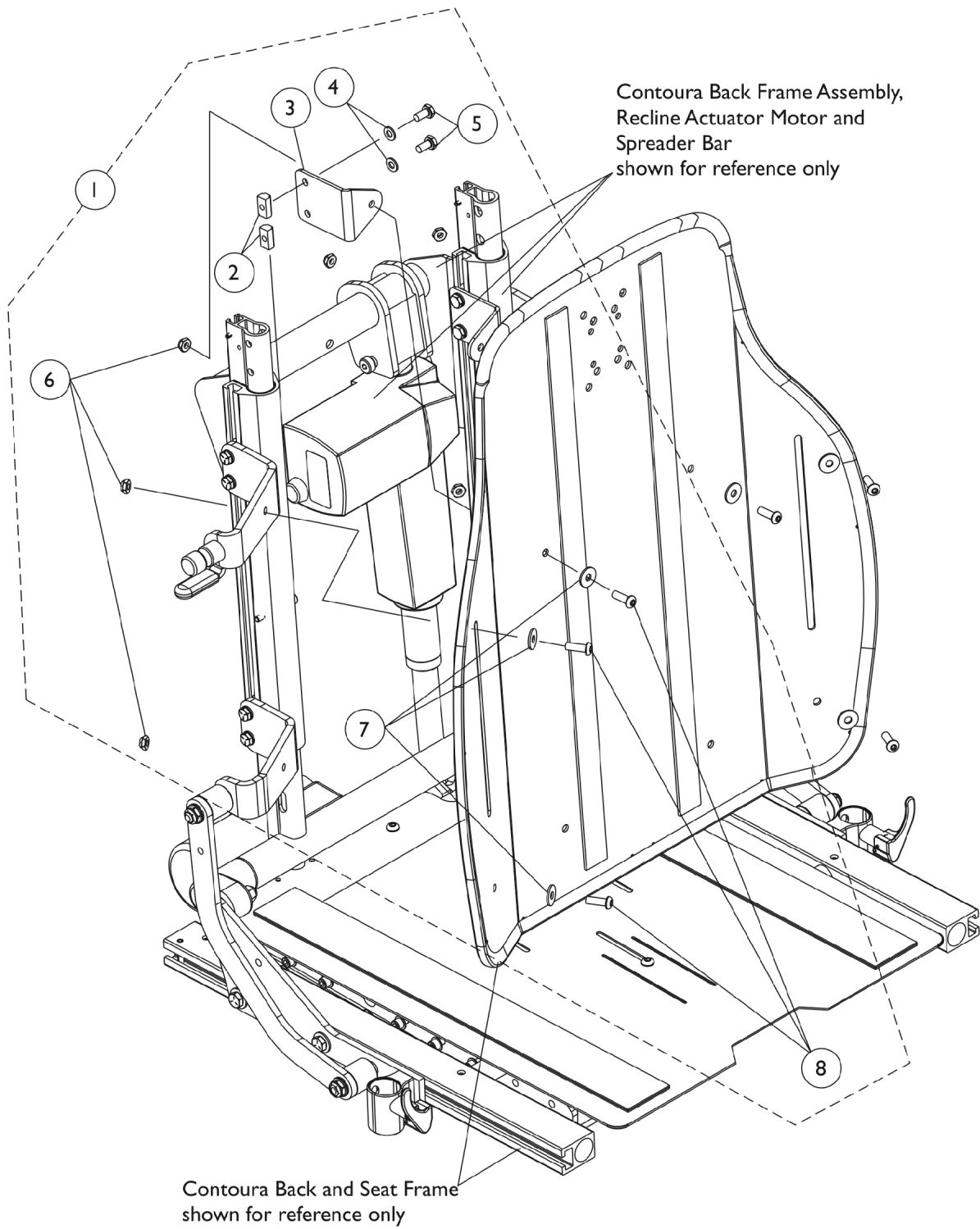


# Back Mounting Hardware

## Contoura (CGR/CGTR/CGTRE)



## Back Mounting Hardware Contoura (CGR/CGTR/CGTRE)

Item Number	Note	Part Number	Description	Quantity Per	
				Package	Assembly
1	A	1125754	Kit, Back Mounting Hardware For Contoura Recline and Tilt/Recline	1	1
2			T-Nut (1/4-20)	1	4
3			NLA - Bracket, Back Mounting, Black	1	2
4			Washer (1/4 x 1/2 x 1/16")	1	4
5			Screw, Hex Head w/ Patch (1/4-20 x 1/2")	1	4
6			Locknut (1/4-20)	1	6
7			Washer (1/4 x 23/32 x 1/16")	1	6
8			Screw, Socket Button (1/4-20 x 3/4")	1	6

NOTE: A - Includes items 2-8