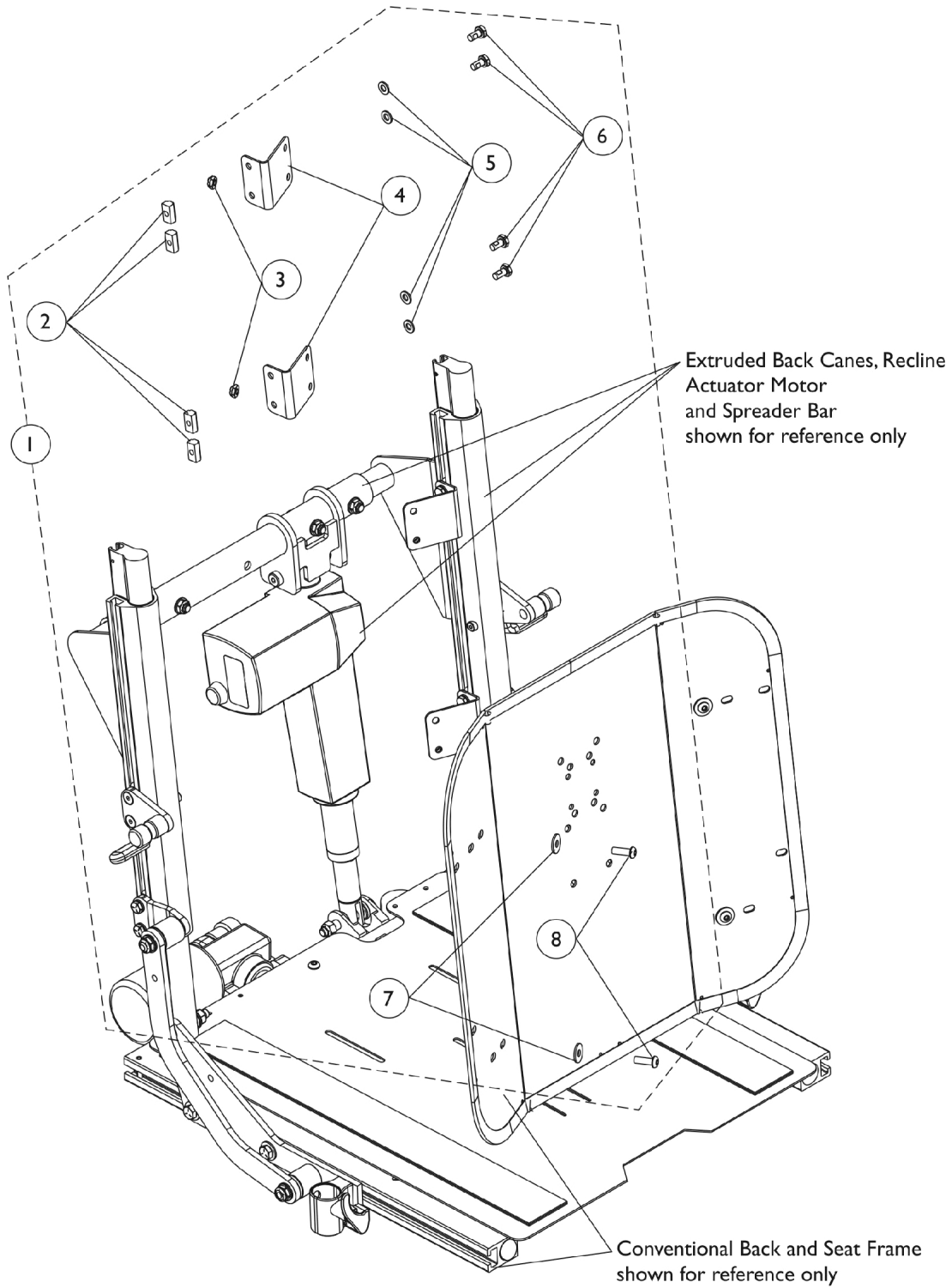


# Back Mounting Hardware Conventional (CGR/CGTR/CGTRE)



## Back Mounting Hardware Conventional (CGR/CGTR/CGTRE)

Item Number	Note	Part Number	Description	Quantity Per	
				Package	Assembly
1	A	1125756	Kit, Back Mounting Hardware For Conventional Recline and Tilt/Recline	1	1
2			T-Nut (1/4-20)	1	8
3			Locknut (1/4-20)	1	4
4			NLA - Bracket, Angled Back, Black	1	4
5			Washer (1/4 x 1/2 x 1/16")	1	8
6			Screw, Hex Head w/ Patch (1/4-20 x 1/2")	1	8
7			Washer (1/4 x 23/32 x 1/16")	1	4
8			Screw, Socket Button (1/4-20 x 3/4")	1	4

NOTE: A - Includes items 2-8