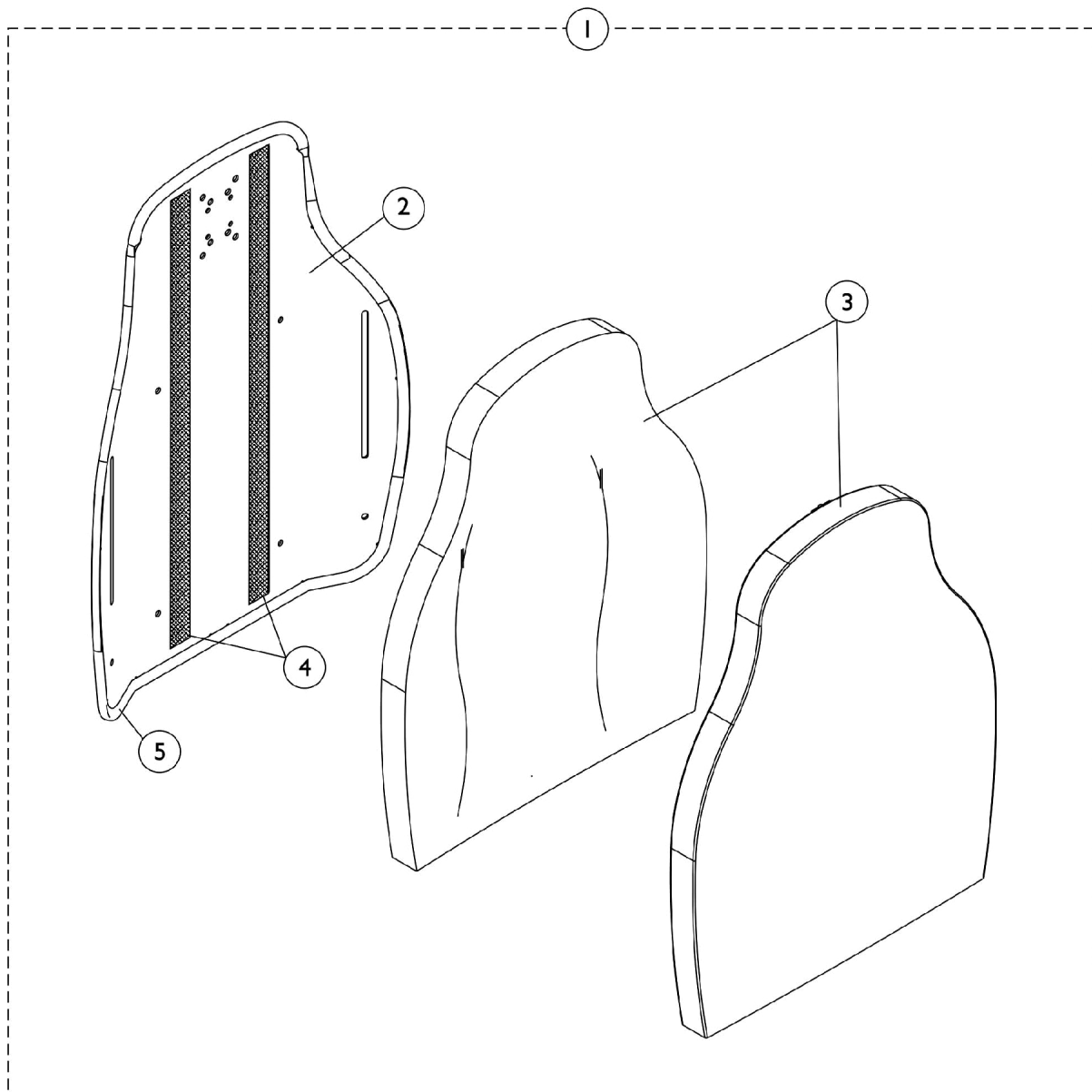


Contoura Back without Mounting Hardware - Before

5/15/09

NOTE: When changing seat width on any system that has Recline and Contoura Seating (Tilt/Recline, Tilt/Recline/Elevate or Recline Only) you must First look up special quote # C-100628042246 for directions on how to order the Back and all additional components that may be required for changing seat width through the Equipment Configurator.

NOTE: Extruded back canes come in one back height only. Back cane material height for the contoura extruded back canes measure approximately 20-1/2". Overall back height from the seat pan to top of the extruded back cane is approximately 23". Only the Back Assembly needs to be replaced when changing back heights.



Contoura Back without Mounting Hardware - Before 5/15/09

NOTE: When changing seat width on any system that has Recline and Contoura Seating (Tilt/Recline, Tilt/Recline/Elevate or Recline Only) you must First look up special quote # C-100628042246 for directions on how to order the Back and all additional components that may be required for changing seat width through the Equipment Configurator.

NOTE: Extruded back canes come in one back height only. Back cane material height for the contoura extruded back canes measure approximately 20-1/2". Overall back height from the seat pan to top of the extruded back cane is approximately 23". Only the Back Assembly needs to be replaced when changing back heights.

Item Number	Note	Part Number	Description	Quantity Per	
				Package	Assembly
1		See Chart	#1 Back Assembly without Hardware 16", 18", 20", 22", 24" Wide	1	1
2		See Chart	#2 Back Pan with Vinyl Edge Trim 16", 18", 20", 22", 24" Wide	1	1
3		See Chart	#3 Back Cushion Assembly 16", 18", 20", 22", 24" Wide	1	1
4		1125725-NLA	NLA - Hook Fastener w/ Adhesive Back (1" W x 48" L)	1	1
5		1125724-NLA	NLA - Trim, Edge, Cut-To-Length, Vinyl Black (96" L)	1	1

Contoura Back without Mounting Hardware - Before 5/15/09

NOTE: When changing seat width on any system that has Recline and Contoura Seating (Tilt/Recline, Tilt/Recline/Elevate or Recline Only) you must First look up special quote # C-100628042246 for directions on how to order the Back and all additional components that may be required for changing seat width through the Equipment Configurator.

NOTE: Extruded back canes come in one back height only. Back cane material height for the contoura extruded back canes measure approximately 20-1/2". Overall back height from the seat pan to top of the extruded back cane is approximately 23". Only the Back Assembly needs to be replaced when changing back heights.

#1 Back Assembly without Hardware 16", 18", 20", 22", 24" Wide

Overall Back Height	Material Back Height	16" Wide	18" Wide	20" Wide	22" Wide	24" Wide
25"	20"	1132828-NLA	1132829-NLA	1132830-NLA	1132831-NLA	1132832-NLA
29"	24"	1132825-NLA	1124733-NLA	1124734-NLA	1132826-NLA	1132827-NLA

NOTE: When changing seat width on any system that has Recline and Contoura Seating (Tilt/Recline, Tilt/Recline/Elevate or Recline Only) you must First look up special quote # C-100628042246 for directions on how to order the Back and all additional components that may be required for changing seat width through the Equipment Configurator.

#2 Back Pan with Vinyl Edge Trim 16", 18", 20", 22", 24" Wide

Overall Back Height	Material Back Height	16" Wide	18" Wide	20" Wide	22" Wide	24" Wide
25"	20"	1131405-NLA	1131406-NLA	1131407-NLA	1131408-NLA See Note(s) A	1131409-NLA
29"	24"	1131410-NLA	1122454-NLA	1122453-NLA	1131411-NLA	1131412-NLA

NOTE: A - Item is No Longer Available. Back Assembly, part # 1132831 must be purchased for replacement.

#3 Back Cushion Assembly 16", 18", 20", 22", 24" Wide

Overall Back Height	Material Back Height	16" Wide	18" Wide	20" Wide	22" Wide	24" Wide
25"	20"	1132820-NLA	1132821-NLA	1132822-NLA	1132823-NLA	1132824-NLA See Note(s) B
29"	24"	1132817-NLA	1125641-NLA	1125642-NLA	1132818-NLA	1132819-NLA See Note(s) A

NOTE: A - Item is No Longer Available. Back Assembly, part # 1132827 must be purchased for replacement.
B - Item is No Longer Available. Back Assembly, part # 1132832 must be purchased for replacement.