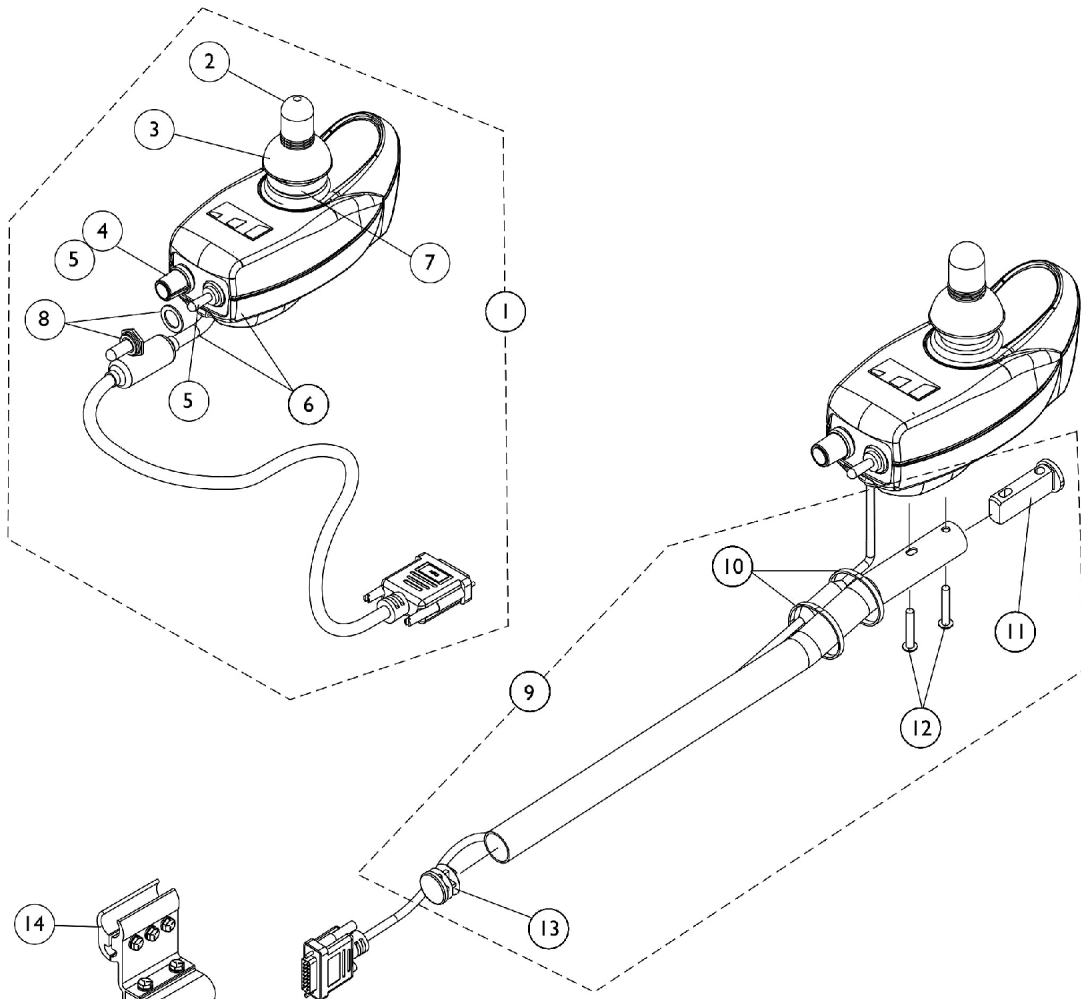
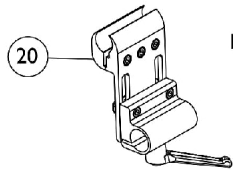


MK5 SPJ-80 Joystick and Mounting Hardware

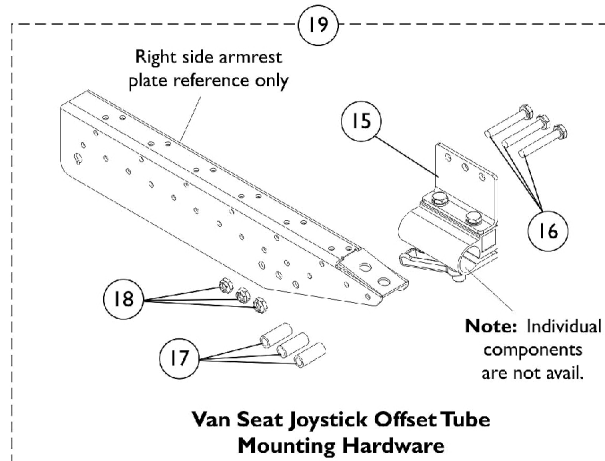


**ASBA Seat, Fixed Height
Joystick Offset Tube
Clamp Assembly**



**ASBA Seat, Adjustable Height
Joystick Offset Tube
Clamp Assembly**

Individual components
are not available



**Van Seat Joystick Offset Tube
Mounting Hardware**

MK5 SPJ-80 Joystick and Mounting Hardware

Item Number	Note	Part Number	Description	Quantity Per	
				Package	Assembly
1	A	1122190-NLA	NLA - Joystick, MK5 SPJ-80	1	1
1	A,F	1122190E-NLA	NLA - WARR RPLMT - Joystick, MK5 SPJ-80	1	1
2		1040217	Knob, Joystick Rubber, Black	1	1
3		1040218	Skirt, Joystick Rubber, Black	1	1
4		1025516-NLA	NLA - Knob, Speed Control	1	1
5		1122204-NLA	NLA - Switch Assembly, Power/ Speed Potentiometer, NOTE: Power and Speed Potentiometer Switches are assembled to one connector and sold as one assembly.	1	1
6		1119443-NLA	NLA - Bottom Housing w/ Cable Assembly, MK5 DPJ/ SPJ-80	1	1
7		1115235-NLA	NLA - Inductive, MK5 MPJ/ DPJ/ SPJ-80 Joystick	1	1
8		1058464-NLA	NLA - Boot, Switch	1	1
9	B	1093069	Kit, 1/2" Offset Joystick Tube with Hardware	1	1
10		1095502-NLA	NLA - Package, Tie Wrap (11-1/2" L)	10	2
11		1093063	Spacer, Joystick Tube, Black	1	1
12		1025714	Screw, Phillips Pan Head (#10-32 x 1-1/8")	1	2
13		1027095	Plug Button, Black (7/8")	1	1
14		1093071	Clamp, Fixed Height Joystick Tube	1	1
15		1105049	Clamp Assembly, Fixed Height, Captain/ Van Seat	1	1
16		1037610	Screw, Hex Head (1/4-20 x 1-5/8")	1	3
17		1087219	Spacer (1/4 x 3/8 x 1")	1	3
18		1025195	Locknut (1/4-20)	1	3
19	C	1115000	Kit, Joystick Tube Mounting Hardware - Captain Seat	1	1
20	E	1139422	Clamp, Height Adjustable Joystick Tube (ARM250)	1	1
	D	1006270	Extension, Joystick, "T" Style (1560) (4" W x 5-1/2" L)	1	1
	D	1006271	Extension, Joystick, Straight Style (1561) (1/2" W x 5" L)	1	1

NOTE: A - Includes items 2-8
 B - Includes items 10-13
 C - Includes items 15-18
 D - Not Shown
 E - Introduced as an option (ARM250) and can be used to replace a Fixed Height Joystick Clamp.
 F - Upgrade to MK6 is available. See category titled, "MK5 SPJ-80 Upgrade to MK6" within Electronics MK6i parts book.